
A350 ATA 27

RTW 2023

LIEBHERR



TOPICS

- WTB 4786 (Wing Tip Brake) RCP status update

- MD 6343 (Moving Damper) New Build Standard - 03

- PCU 4785 (Power Control Unit) Retrofit status

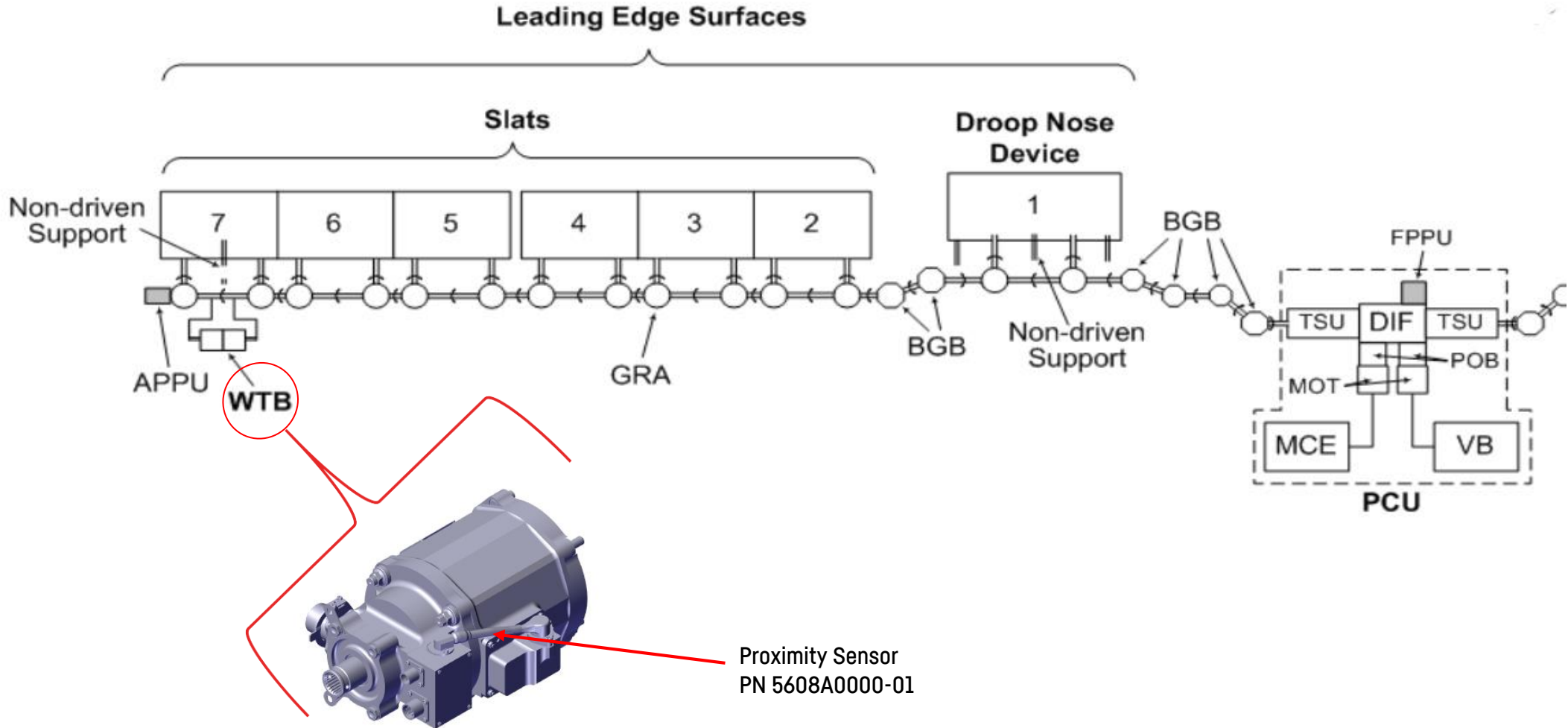
A350 WING TIP BRAKE

STATUS UPDATE

LIEBHERR

Liebherr-Aerospace

WTB PROXIMITY SENSOR



WTB PROXIMITY SENSOR

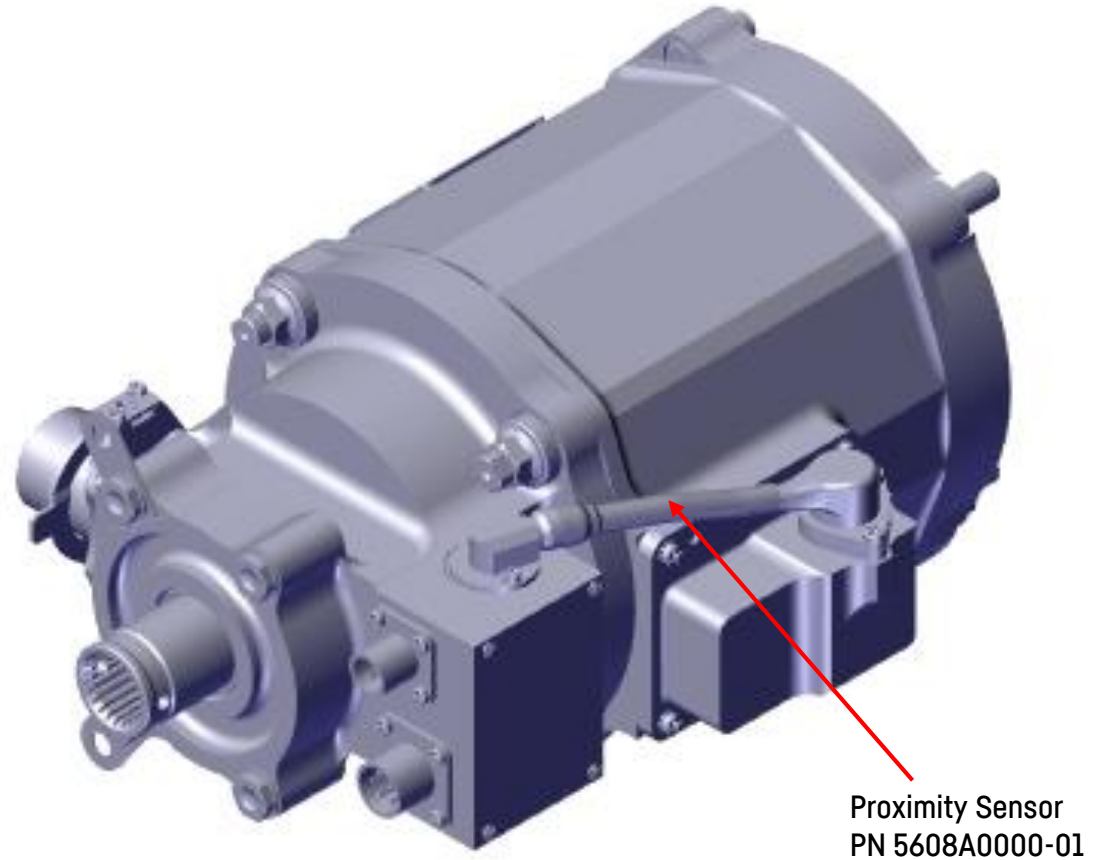
**Modification to the design and manufacturing by sub-supplier.
Approved by Airbus**

CURRENT STATUS

Icing and HALT tests have been conducted
Results are not as expected – New design proxys failed
Investigation ongoing at sub-supplier

WAY-FORWARD

Evaluation of the engineering tests for re-design (Nov. 2023)
New estimated completion dependent on evaluation (Currently Jul. 2024)



Proximity Sensor
PN 5608A0000-01

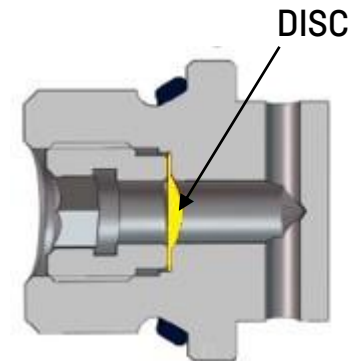
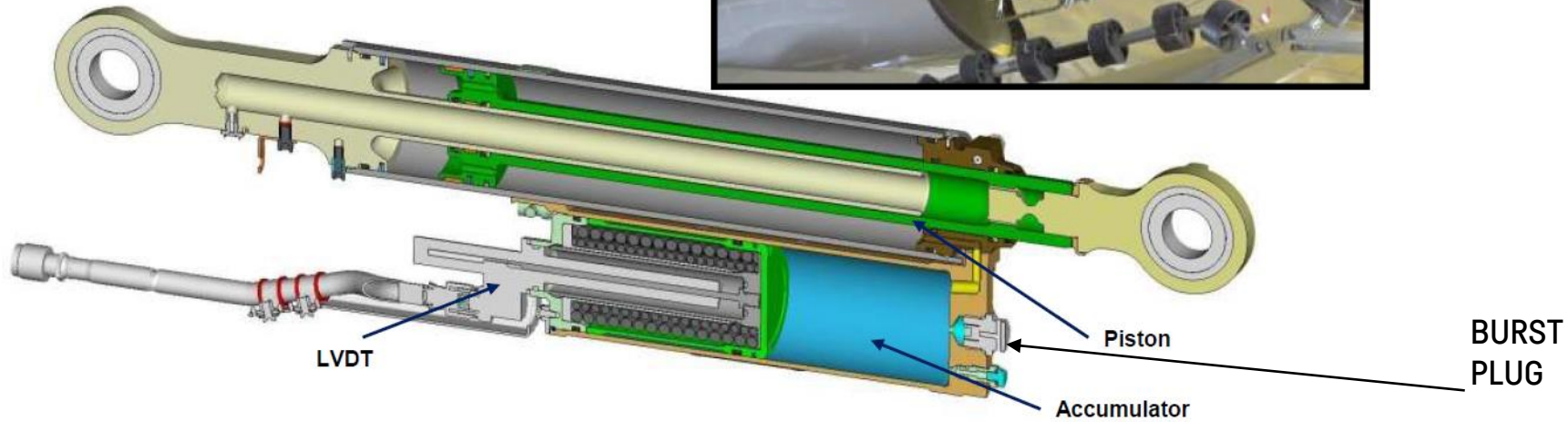
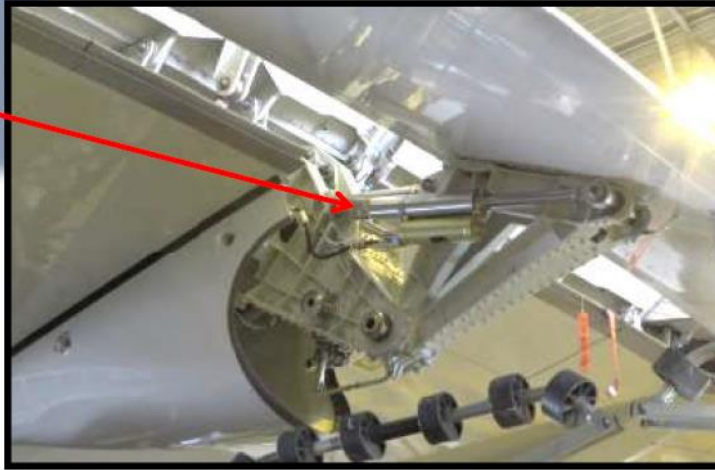
A350 MOVING DAMPER

NEW BUILD STANDARD - 03

LIEBHERR

Liebherr-Aerospace

MOVING DAMPER (Leakage)



ROOT CAUSE

Root cause analysis:

Two forms of leakage have been identified:

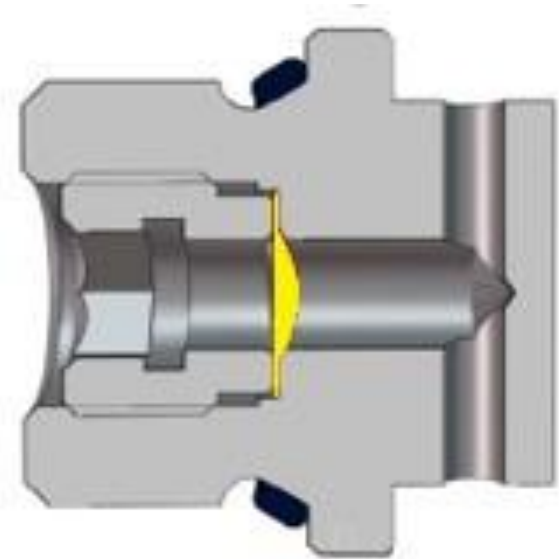
- Chronic leakage (time period of leakage: months to years)
- Sudden leakage (can degrade within 1 FC)

Conditions for leakage:

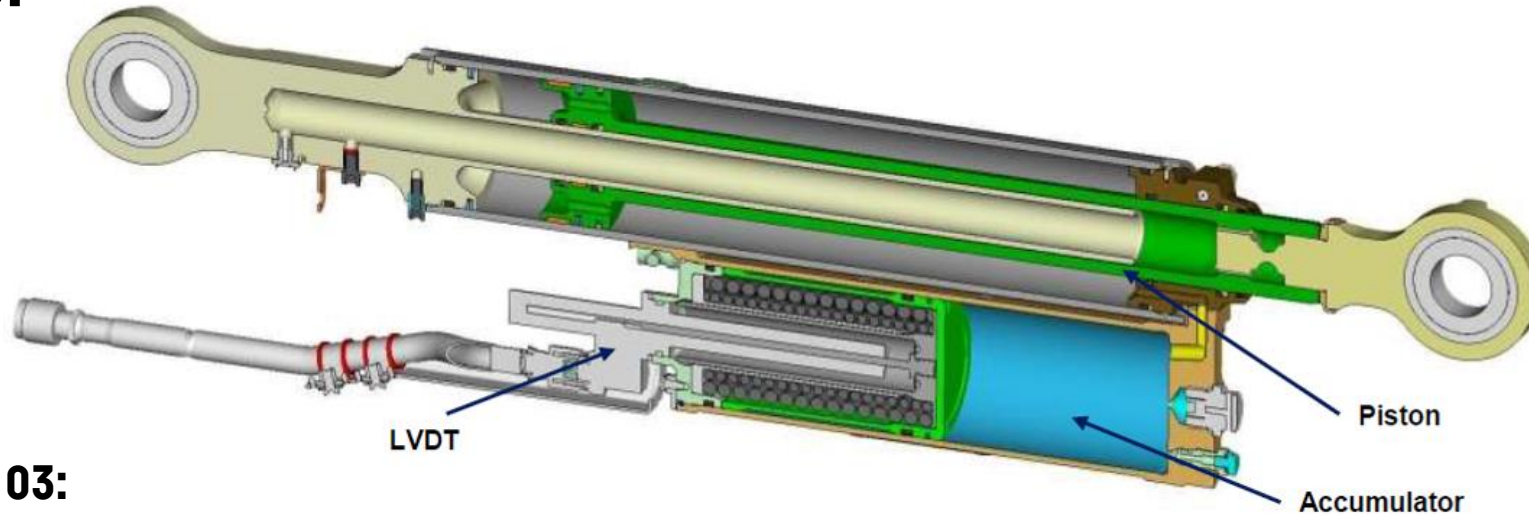
Extremely low temperatures in combination with dirt ingress.
Corrosion on the disc within the Burst Plug

Containment plan:

- Introduction of Build Standard 03



Moving Damper



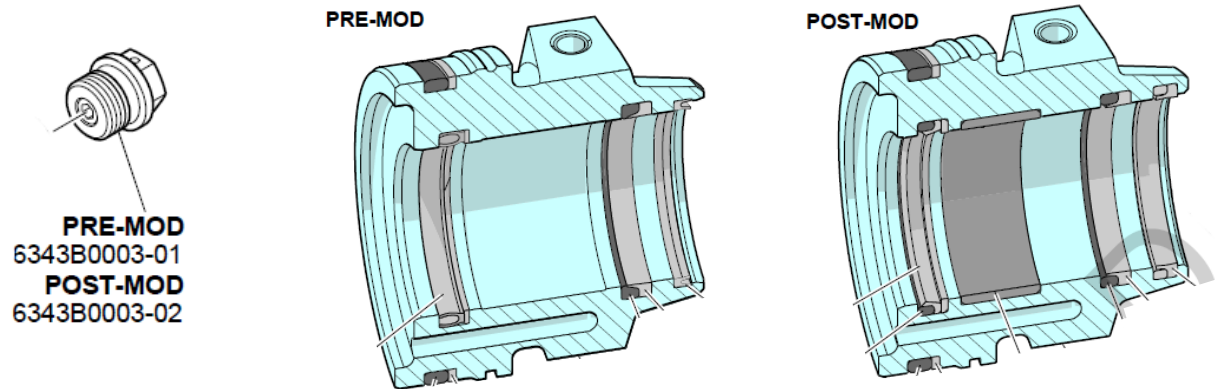
New Build Standard 03:

VSB-6343B-27-02 – Released

New Sealing Concept:

- Additional wiper in the accumulator
- Fluor silicone O-Rings
- Guide ring in the bushing
- Steel bushing instead of bronze
- Larger improved scraper
- Modified burst disc

Examples:



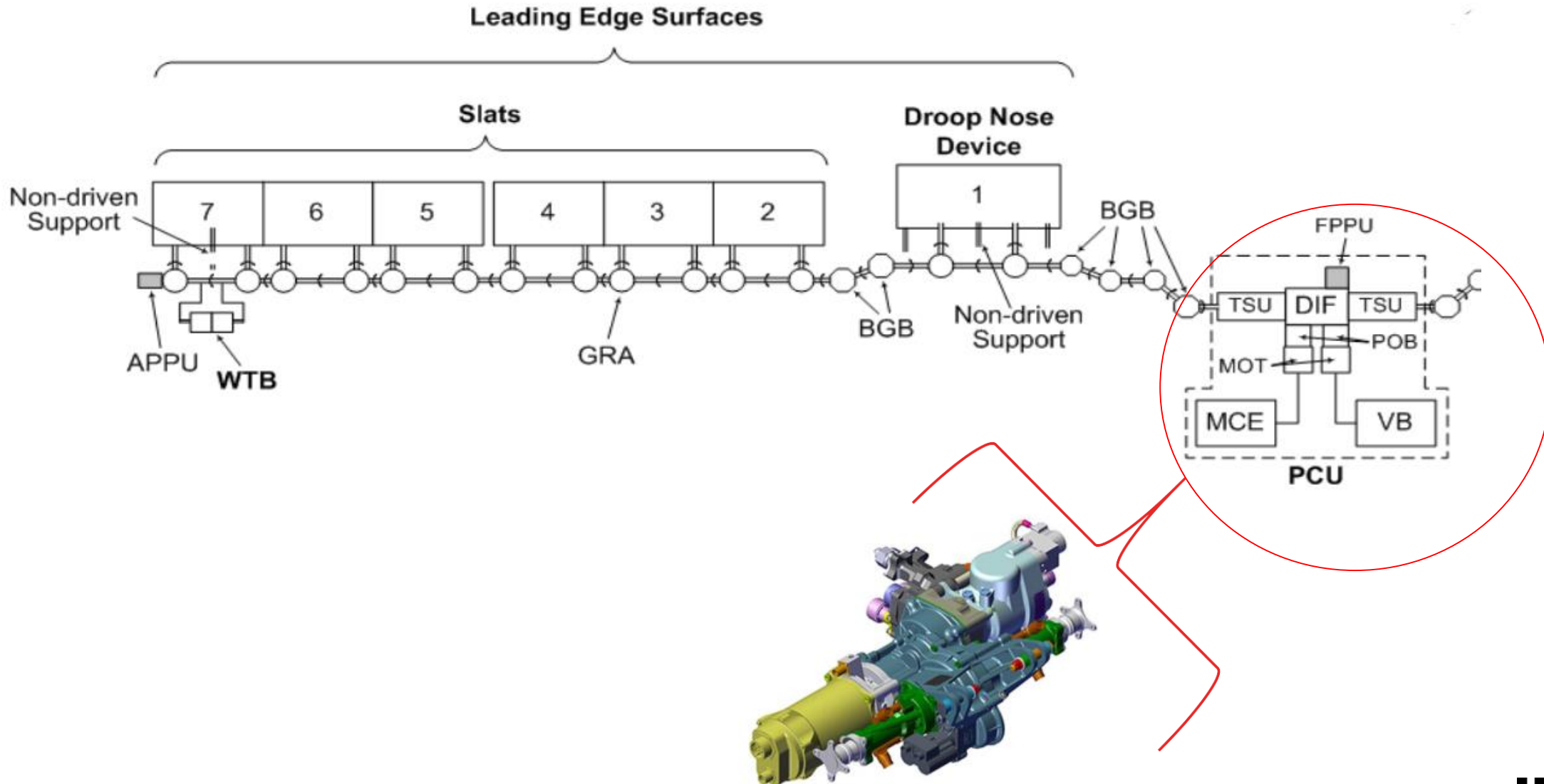
A350 Power Control Unit

RETROFIT STATUS OF -06A

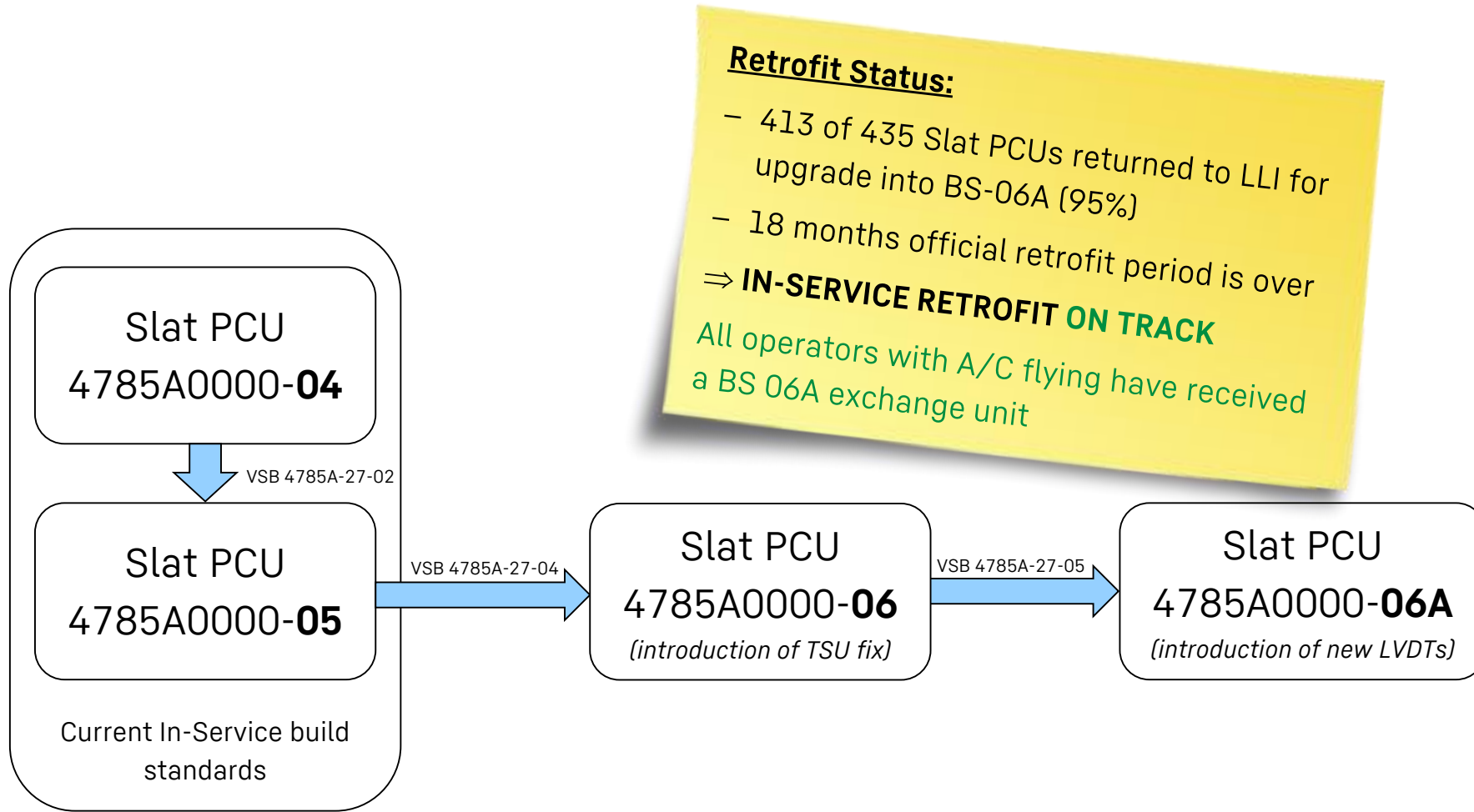
LIEBHERR

Liebherr-Aerospace

Power Control Unit PN 4785A* Retrofit - Status



PCU Retrofit - Status



Retrofit Status:

- 413 of 435 Slat PCUs returned to LLI for upgrade into BS-06A (95%)
- 18 months official retrofit period is over

⇒ **IN-SERVICE RETROFIT ON TRACK**

All operators with A/C flying have received a BS 06A exchange unit

Affected Units:

435 Slat PCUs

DDP for Slat PCU BS-06:

Approved for full-life

→ ALS updated

QUESTIONS AND COMMENTS

**Thank
you**
