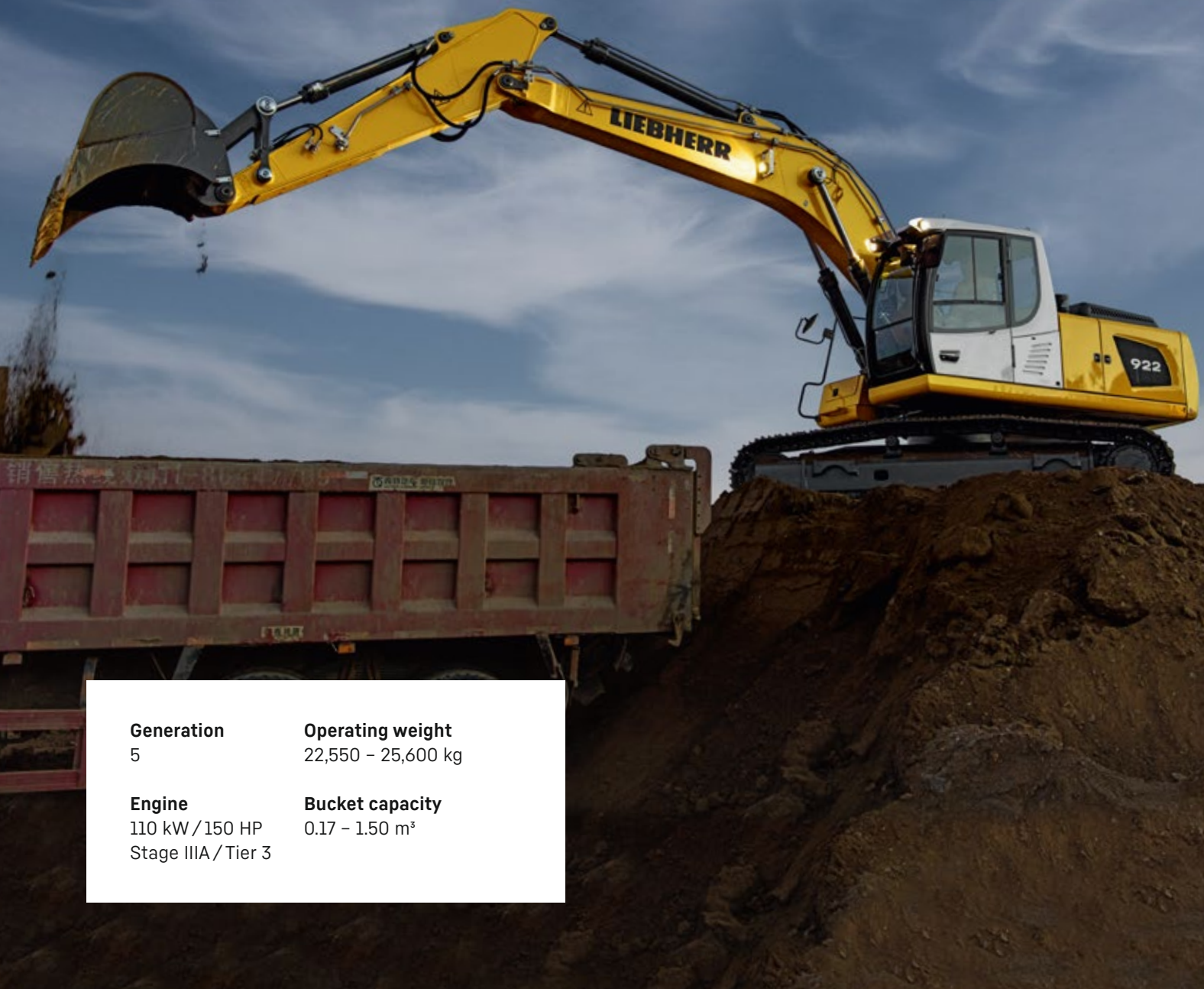

R 922 Litronic

LIEBHERR

Crawler excavator

**Generation**

5

Operating weight

22,550 – 25,600 kg

Engine

110 kW / 150 HP
Stage IIIA / Tier 3

Bucket capacity

0.17 – 1.50 m³

Long live progress with the R 922

Safety

- Anti-slip coated access areas
- Full all-around visibility – optional rear and side surveillance cameras
- Emergency exit through the rear window in all excavator configurations
- Laminated and tinted glass right window and windscreen

Equipment

- High digging and penetration force
- Integrated regeneration system
- Fast combined movements
- Cast steel elements
- Better resistance to stress
- Longer life of parts due to grouping of lubrication points and reduced maintenance time

Maintenance

- Maintenance concept with components accessible from the ground
- Central lubrication of equipment – Automatic as an option





Comfort

- Comfortable and spacious air-conditioned work area
- Easy to use 9" high resolution colour touch screen
- Large glass area
- Fully retractable front window
- New LED lighting as standard

Engine

- Cummins EU Stage IIIA / EPA Tier 3 equivalent engine
- Low fuel consumption
- Large fuel tank for long range
- Steel engine hood and doors
- Hydrostatically driven fan on request
- Automatic idling and revving up

Frame

- Reliable and robust X-shaped chassis, easy to secure with integrated eyelets
- Special heat treatment for low sprocket wear
- Maintenance-free undercarriage and greased-for-life track rollers
- Easy to service

Technical data



Engine

Rating per SAE J1995 / ISO 3046	110kW (150HP) at 1.800RPM
Model	Cummins QSB6.7
Type	6 cylinder in-line
Bore	107 mm
Stroke	124 mm
Displacement	6.7l
Engine operation	4-stroke diesel Common-Rail, turbo
Exhaust gas treatment	Emission standard equivalent to EU Stage IIIA / EPA Tier 3
Cooling system	Water-cooled and integrated motor oil cooler, after-cooled and water-cooled
Air cleaner	Dry-type air cleaner with pre-cleaner, primary and safety elements
Fuel tank	580l
Fuel cleaner	Pre-filter (7 µm) and fine filter (5 µm) for the fuel supply system
Electrical system	
Voltage	24 V
Batteries	2 x 135 Ah / 12 V
Starter	24 V / 7.8 kW
Alternator	Three-phase current 24 V / 70 A
Engine idling	Sensor controlled
Motor management	Connection to the integrated excavator system controlling via CAN-BUS to the economical utilisation of the service that is available



Hydraulic controls

The controlling is conducted via the integrated excavator system technology, input and output modules, communicated via the CAN-BUS with the electronic central unit

Power distribution	Via control valves with integrated safety valves
Flow summation	To boom and stick
Servo circuit	
Equipment and swing	Proportional via joystick levers
Travel	- With proportionally functioning foot pedals and lever - Speed pre-selection or automatic adjustment
Additional functions	Proportional regulation via foot pedals or mini-joystick



Hydraulic system

Hydraulic system	Positive Control hydraulic system. Demand-based, double independent pump flows Features high system dynamics and sensitivity provided by integrated system controlling
Regeneration	Integrated into the main hydraulic block
Hydraulic pump	Variable double pump, in-line and swashplate
Max. flow	2 x 216 l/min.
Max. pressure	350 bar
Pump management	Electronic pump management via the integrated system controlling (CAN-BUS) synchronous to the control block
Hydraulic tank	100l
Hydraulic system	max. 300l
Filtration	1 full flow filter (10 µm) in return line
Cooling system	Compact radiator, comprising cooling unit for water, hydraulic oil, after-cooler and hydrostatically driven fan
MODE selection	Adjustment of engine and hydraulic performance via a 3-mode selector to match application, e.g. ECO mode for economical and environmentally friendly operation or POWER+ mode for maximum digging performance and heavy-duty jobs
RPM adjustment	Stepless adjustment of engine output via RPM at each selected mode
Tool Control	20 pre-adjustable pump flows and pressures for add-on attachments



Swing drive

Drive	Swashplate motor, shockless and antireaction
Transmission	Compact planetary reduction gear
Swing ring	Sealed race ball bearing swing ring, internal teeth
Swing speed	0-11.3 RPM stepless
Swing torque	73.3 kNm
Holding brake	Wet multi-disc (spring applied, pressure released)



Cab

Cab	ROPS (option) safety cab structure with windscreen, totally or partially retractable (only upper part), under cab roof, work headlights integrated in the roof, a door with a sliding window (can be opened on both sides), large storing possibilities, shock-absorbing suspension, sound damping insulating, tinted laminated safety glass, separate window shades for the sunroof window and windscreen, 24 V plug, 12 V optional, bottle holder
Operator's seat	Liebherr-Standard seat, mechanically suspended with weight adjustment, vertical seat damping including consoles and joysticks. Seat and armrests adjustable separately and in combination (adjustable in length, height, and inclination)
Option	Liebherr-Comfort seat, airsprung with automatic weight adjustment, vertical and longitudinal seat damping including consoles and joysticks, with seat heating
Control system	Arm consoles, moving with the seat
Operation and displays	Large high-resolution colour display with intuitive operation via touchscreen, versatile adjusting, control and monitoring facilities, e.g. implement and attachment parameters
Air-conditioning	Standard automatic air-conditioning, ambient air function, fast de-icing and demisting at the press of a button, air vents can be operated using special buttons. Filter for recycling and fresh air filter can be replaced and are accessible from the inside. Heating-cooling unit, designed for extreme outside temperatures
Noise emission	
ISO 6396	80 dB(A) = L_{pA} (inside cab)
2000/14/EC	104 dB(A) = L_{WA} (surround noise)



Undercarriage

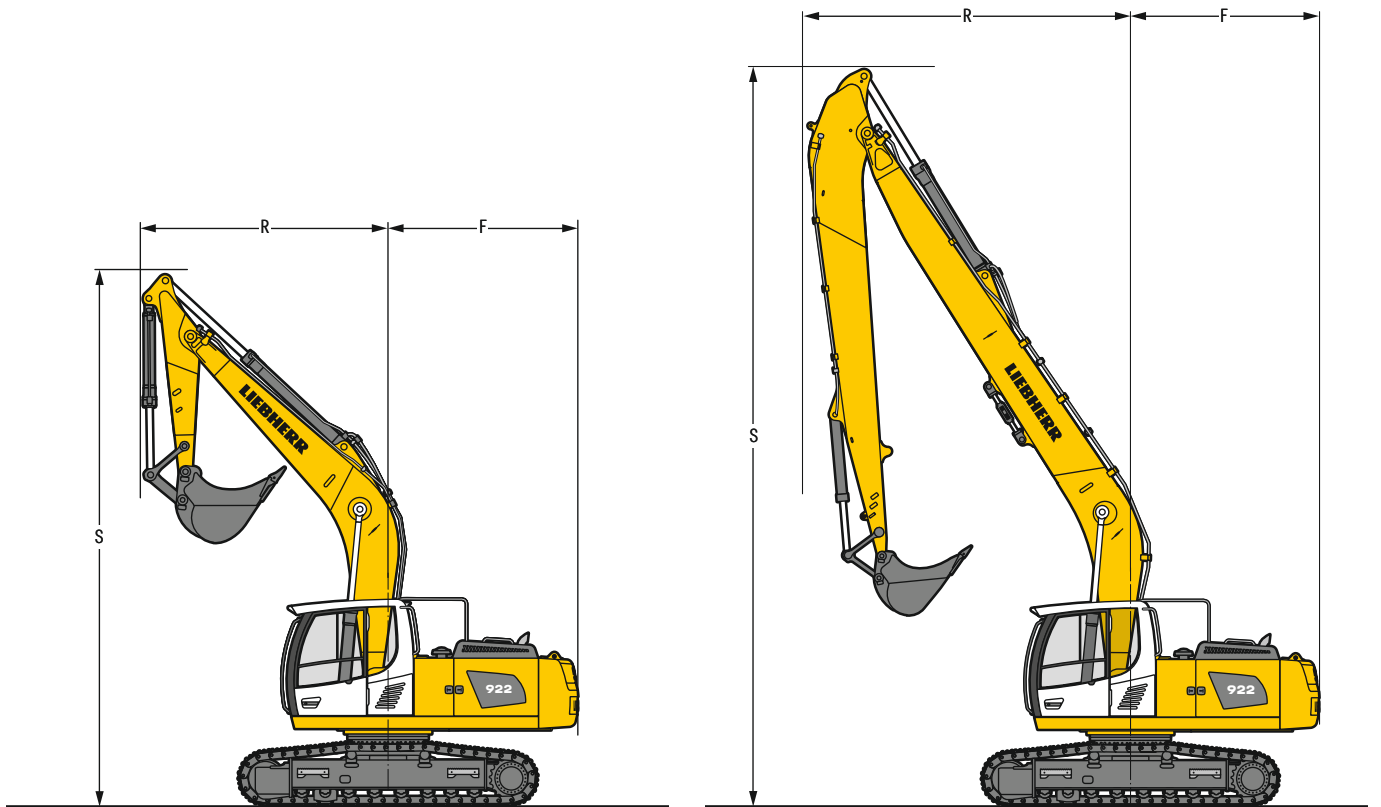
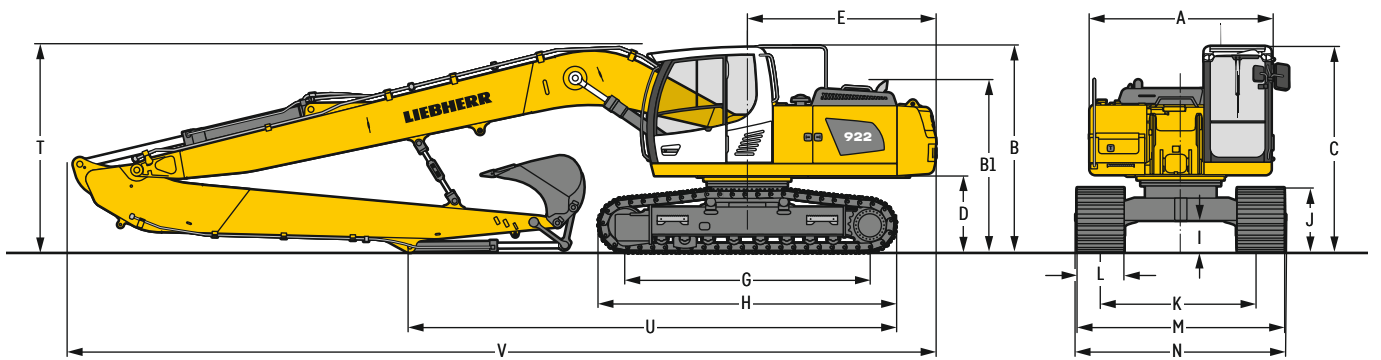
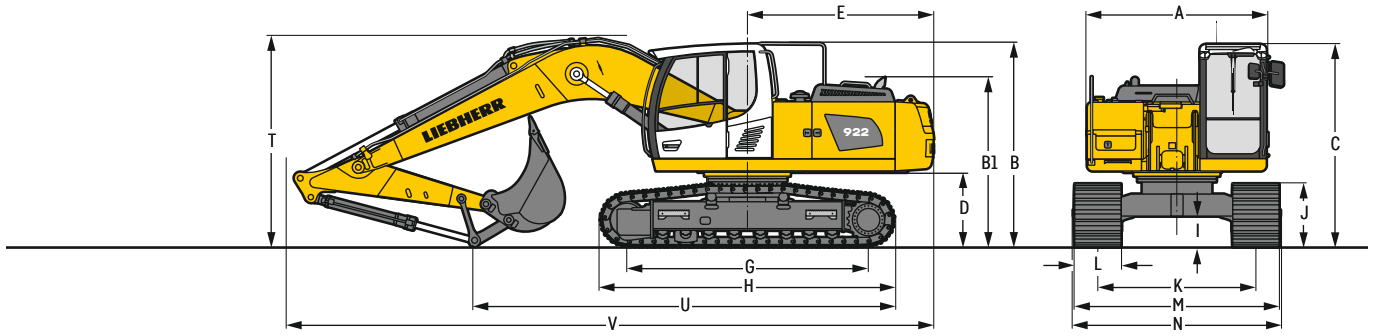
LC	Gauge 2,380 mm
Drive	Liebherr swashplate motor with brake valves on both sides
Transmission	Liebherr compact planetary reduction gear
Maximum travel speed	3 km/h low range 5 km/h high range
Net drawbar pull on crawler	228 kN
Track components	B60, maintenance-free
Track rollers / Carrier rollers	8 / 2
Tracks	Sealed and greased
Track pads	Triple grouser
Holding brake	Wet multi-disc (spring applied, pressure released)
Brake valves	Integrated into travel motor
Lashing eyes	Integrated



Equipment

Type	Combination of resistant steel plates and cast steel components
Hydraulic cylinders	Cylinders with special seal-system and shock protection
Bearings	Sealed, low maintenance
Lubrication	Manual central lubrication system or optional automatic central lubrication system (except link and tilt geometry)
Hydraulic connections	Pipes and hoses equipped with SAE split-flange connections

Dimensions



		LC			mm
A	Upper-carriage width				2,700
B	Upper-carriage height				3,080
B1	Upper-carriage height (handrails folded)				2,560
C	Cab height				3,060
D	Counterweight ground clearance				1,125
E	Rear-end length				2,800
F	Tail swing radius				2,820
G	Wheelbase				3,640
H	Undercarriage length				4,440
I	Undercarriage ground clearance				465
J	Track height				960
K	Track gauge				2,380
L	Track pad width	600	700	800	
M	Width over tracks	2,980	3,080	3,180	
N	Width over steps	2,920	3,120 ¹⁾	3,120 ¹⁾	

¹⁾ width with removable steps

		Stick length m	Mono boom 5.70 m direct mounting mm	Mono boom 8.90 m direct mounting mm
R	Front swing radius		3,650	4,850
S	Height with boom up		7,950	11,000
T	Boom height	2.00	3,200	-
		2.50	3,250	-
		2.90	3,250	-
		6.30	-	3,100
U	Length on ground	2.00	6,350	-
		2.50	5,850	-
		2.90	5,250	-
		6.30	-	7,250
V	Overall length		9,750	12,900
	Bucket		0.95 m ³	0.50 m ³

Transport dimensions

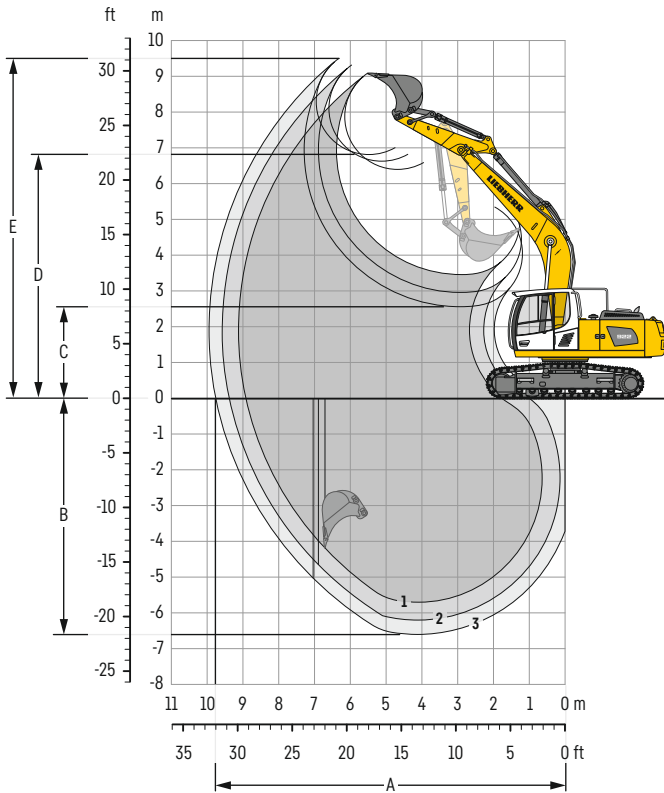
removable elements disassembled

		Mono boom 5.70 m mm			Mono boom 8.90 m mm		
Pad width		600	700	800	600	700	800
Transport width		2,980	3,120	3,180	2,980	3,120	3,180

		Stick m	mm	mm
Transport length			9,750	12,900
Transport height		2.00	3,200	-
		2.50	3,250	-
		2.90	3,250	-
		6.30	-	3,100
Bucket			0.95 m ³	0.50 m ³

Backhoe bucket

with mono boom 5.70 m



Digging envelope

without quick coupler	1	2	3	
Stick length	m	2.00	2.50	2.90
A Max. reach at ground level	m	8.92	9.38	9.76
B Max. digging depth	m	5.70	6.20	6.60
C Min. dumping height	m	3.46	2.96	2.56
D Max. dumping height	m	6.39	6.63	6.81
E Max. cutting height	m	9.08	9.31	9.50

Forces

without quick coupler	1	2	3	
Stick digging force (ISO 6015)	kN	146	126	113
Bucket digging force (ISO 6015)	kN	159	159	159
Stick digging force (SAE J1179)	kN	138	120	109
Bucket digging force (SAE J1179)	kN	139	139	139

Operating weight and ground pressure

The operating weight includes the basic machine with counterweight 3.5t, mono boom 5.70 m, stick 2.90 m and bucket 0.95 m³ (700 kg).

Undercarriage	LC			
Pad width	mm	600	700	800
Weight	kg	22,550	22,850	23,100
Ground pressure	kg/cm ²	0.48	0.42	0.37

Buckets Machine stability per ISO 10567* (75% of tipping capacity)

STD ¹⁾	Cutting width mm	Capacity ISO 7451 m ³	Weight ²⁾ kg	Weight ⁴⁾ kg	LC undercarriage (with track pads 600 mm)					
					without quick coupler			with quick coupler		
					2.00	2.50	2.90	2.00	2.50	2.90
	850	0.60	580	590	▲	▲	▲	▲	▲	▲
	1,050	0.80	660	670	▲	▲	▲	▲	▲	▲
	1,050	0.95	700	710	▲	▲	▲	▲	▲	▲
	1,250	1.15	780	790	▲	▲	▲	▲	▲	▲
	1,250	1.25	890	920	▲	■	▲	▲	■	▲
	1,400	1.50	950	980	■	■	△	▲	■	△
	850	0.60	640	650	▲	▲	▲	▲	▲	▲
	1,050	0.80	730	740	▲	▲	▲	▲	▲	▲
	1,050	0.95	790	800	▲	▲	▲	▲	▲	▲
	1,250	1.15	880	890	▲	▲	■	▲	▲	■
	1,250	1.25	1,010	1,040	▲	■	▲	▲	▲	■
	1,400	1.50	1,090	1,120	▲	■	△	▲	△	△

* Indicated loads are based on ISO 10567, at maximum reach, and may be swung 360° on firm and even ground

¹⁾ Standard bucket with teeth Z 40

²⁾ HD bucket with teeth Z 40

³⁾ Bucket for direct mounting

⁴⁾ Bucket for mounting to quick coupler

Other buckets available upon request

Max. material weight ▲ = ≤ 2.0t/m³, ■ = ≤ 1.8t/m³, ▲ = ≤ 1.65t/m³, ■ = ≤ 1.5t/m³, △ = ≤ 1.2t/m³

Lift capacities

with mono boom 5.70 m, counterweight 3.5 t and track pads 600 mm

Stick 2.00 m

Under-carriage m	3.0m		4.5m		6.0m		7.5m		m		
7.5									6.4	6.5*	5.1
6.0									4.4	6.2*	6.4
4.5			7.3	8.1*	4.9	6.2*			3.6	5.4	7.2
3.0			6.8	10.0*	4.6	7.0	3.3	5.0	3.3	4.9	7.6
LC 1.5			6.4	10.6	4.4	6.8	3.2	4.9	3.1	4.8	7.6
0			6.3	10.5	4.2	6.7			3.2	4.9	7.4
-1.5	10.5*	10.5*	6.3	10.5	4.2	6.6			3.6	5.6	6.8
-3.0	12.5	12.8*	6.5	9.6*					4.6	7.2	5.8
-4.5											

Stick 2.50 m

Under-carriage m	3.0m		4.5m		6.0m		7.5m		m		
7.5									5.3	5.8*	5.8
6.0									3.9	5.7*	7.0
4.5			7.3*	7.3*	4.8	6.2*	3.4	5.1	3.3	4.9	7.7
3.0			6.9	9.3*	4.6	7.0	3.3	5.0	3.0	4.5	8.0
LC 1.5			6.4	10.6	4.3	6.8	3.2	4.9	2.9	4.4	8.1
0			6.2	10.4	4.2	6.6	3.1	4.8	2.9	4.5	7.9
-1.5	9.9*	9.9*	6.2	10.4	4.1	6.6			3.2	4.9	7.3
-3.0	12.3	14.0*	6.3	10.2*	4.2	6.6			3.9	6.1	6.4
-4.5			6.6	7.5*					6.0	6.8*	4.8

Stick 2.90 m

Under-carriage m	3.0m		4.5m		6.0m		7.5m		m		
7.5					5.1	5.2*			4.6	5.2*	6.3
6.0					5.0	5.2*			3.5	4.9*	7.4
4.5			6.7*	6.7*	4.8	5.8*	3.4	5.1	3.0	4.5	8.1
3.0			7.0	8.6*	4.6	6.7*	3.3	5.0	2.7	4.2	8.4
LC 1.5			6.4	10.4*	4.3	6.8	3.2	4.8	2.7	4.0	8.5
0	4.7*	4.7*	6.2	10.4	4.2	6.6	3.1	4.7	2.7	4.1	8.2
-1.5	9.4*	9.4*	6.1	10.3	4.1	6.5	3.0	4.7	2.9	4.5	7.7
-3.0	12.0	14.9*	6.2	10.4	4.1	6.5			3.5	5.4	6.9
-4.5	11.7*	11.7*	6.4	8.4*					5.0	6.6*	5.4

Height Can be slewed through 360° In longitudinal position of undercarriage Max. reach * Limited by hydr. capacity

The load values are quoted in tons (t) at stick end (without bucket), and may be swung 360° on firm and even ground. Adjacent values are valid for the undercarriage when in the longitudinal position. Capacities are valid for 600 mm wide track pads. Indicated loads are based on ISO 10567 standard and do not exceed 75% of tipping or 87% of hydraulic capacity (indicated via *). Without bucket cylinder, link and lever the lift capacities will increase by 300 kg. Lifting capacity of the excavator is limited by machine stability and hydraulic capacity.

According to European Standard, EN 474-5: In the European Union excavators have to be equipped with an overload warning device, a load diagram and automatic safety check valves on hoist cylinders and stick cylinder(s), when they are used for lifting operations which require the use of lifting accessories.

Determine maximum load lift from load lift chart displayed in the operator's cab or from load lift chart detailed in the operator's manual supplied with the machine.

Serial equipment



Undercarriage

Lashing eyes
Sprocket with dirt ejector
Track and carrier rollers, sealed and lifetime-lubricated
Tracks, sealed and greased



Uppercarriage

Anti-skid surfaces
Automatic swing brake lock
Engine hood with gas spring opening
Filters accessible from ground level
Handrails
Hydraulic oil level, visible from ground level
Lockable service doors
Lockable storage and accessories compartment
Main switch, manual, lockable
Protection grid on radiator fan
Sound insulation
Tool set including storage case



Hydraulic system

Hydraulic pressure measuring ports
Liebherr Positive Control system with 2 independent circuits
Magnetic rod
Pressure accumulator for controlled lowering of equipment with engine turned off



Engine

Air filter with automatic dust ejector
Automatic engine idling / speed increase, controlled via joystick movement
Common-Rail injection system
Engine oil dipstick
Fixed geometry turbocharger
Fuel fine filter
Fuel pre-filter and water separator
Fuel priming pump
Intercooler
Power Pack equivalent to EU Stage IIIA / EPA Tier 3
Stepless adjustable engine speed



Cab

2" seat belt with retractor
9" multifunction colour touchscreen
Air conditioning, automatic, tri-zone
Armrests adjustable in length, height and inclination
Bottle holder
Cab air filters housing, accessible from ground level
Cab door sliding windows
Cigarette lighter
Coat hook
Electric socket in cabin (24V)
Emergency hammer
Footrest
Fuel consumption on touchscreen
Fuel level on touchscreen
Interior lighting
Laminated right hand side window
Laminated roof window
LiDAT Plus (Liebherr data transfer system)*
Mechanical hour meter, visible from ground level
Mobile phone storage net
Movement priority between swing and boom, adjustable via touchscreen
Radio Comfort
Rain hood over front window opening
Rearview mirror
Rear window emergency exit
Retractable laminated two-piece windscreen
Roll-down sun blinds for windscreen and roof window
Rubber floor mat, fixed on floor and removable
Shortcut buttons on joystick configurable
Storage nets
Storage spaces
Tinted windows
Visco-elastic damping
Windscreen wiper and washer
Work mode selector



Equipment

Anti-drift system boom cylinders
Anti-drift system stick cylinder
Boom cylinders regeneration
Pivot points made of cast steel
SAE split flanges on high pressure lines
Stick cylinder regeneration

* optionally extendable after one year

Equipment standard / option

Undercarriage

Chain guide 1 piece	●
Chain guide 2 pieces	+
Chain guide 3 pieces	+
Cover and base plate for undercarriage centre section	●
Reinforced cover and base plate for undercarriage centre section	+
Steps	●
Steps wide	+
Track pads triple grouser 600 mm	●
Track pads triple grouser 700 / 800 mm	+
Undercarriage LC	●

Uppercarriage

Air pre-filter with cyclonical dust trap	+
Centralised lubrication system (automatic)	+
Centralised lubrication system (manual)	●
Counterweight heavy 5.7 t	+
Counterweight standard 3.5 t	●
Front right rearview mirror	●
Fuel anti-theft protection	+
Headlight on uppercarriage, lateral right, LED+, 1 piece	+ ¹⁾
Headlight on uppercarriage, lateral left, LED+, 1 piece	+ ¹⁾
Headlights on uppercarriage, rear, LED+, 2 pieces	+ ¹⁾
Lockable fuel tank cap	●
Lockable fuel tank cap with padlock	+
Pre-heating system for fuel	+
Rearview mirror on counterweight	●
Tank refilling pump fuel	+
Uppercarriage bottom closure sheets	●

Hydraulic system

Filter for hydraulic hammer return flow	+
High pressure circuit with Tool Control (20 attachment adjustments on display)	+
Liebherr hydraulic oil	●
Liebherr hydraulic oil, adapted for extreme climate conditions	+
Medium pressure circuit	+
Preparation for medium pressure circuit	+

Cab

Acoustic travel alarm deactivatable	+
FGPS front guard	+
FGPS front guard tiltable	+
FOPS top guard	+
Handrests elevated for joysticks	+
Headlights on cab, front, LED, 2 pieces	● ¹⁾
Headlights on cab, front, LED+, 2 pieces	+ ¹⁾
Luminosity control (LED+ headlights)	+ ¹⁾
Mini-joystick proportional	+
Operator seat Comfort	+
Operator seat Standard	●
Overload warning system	+
Rear view monitoring camera	+
Right hand side view monitoring camera	+
ROPS safety cab structure (ISO 12117-2)	+
Rotating beacon on cabin, LED, 1 piece	+
Sun visor	+

Equipment

Boom bottom protection	+
Headlight on boom, right, LED, 1 piece	● ¹⁾
Headlight on boom, right, LED+, 1 piece	+ ¹⁾
Mono boom 5.70 m	●
Mono boom Multi-User 8.90 m	+
Pipe fracture safety valve for stick cylinder	+
Pipe fracture safety valves for boom cylinders	+
Quick coupler SWA 48 hydraulic	+
Quick coupler SWA 48 mechanical	+
Stick 2.00 m	+
Stick 2.50 m	+
Stick 2.90 m	+
Stick bottom protection	+
Stick Multi-User 6.30 m	+

● = Standard, + = Option

¹⁾ Equipment not individually available, but only as predefined packages

Non-exhaustive list, please contact us for further information.

Options and /or special equipment, supplied by vendors other than Liebherr, are only to be installed with the knowledge and approval of Liebherr in order to retain warranty.

Liebherr-France SAS

2 avenue Joseph Rey, B.P. 90287 • 68005 Colmar Cedex, France • Phone +33 389 213030
info.lfr@liebherr.com • www.liebherr.com • www.facebook.com/LiebherrConstruction