

---

# R 920 Compact Litronic

---

## LIEBHERR

Crawler excavator



**Generation**

6

**Operating weight**

18,750 – 21,900 kg

**Engine**

110 kW / 150 HP  
Stage V

**Bucket capacity**

0.30 – 0.95 m<sup>3</sup>

# Experience the progress R 920 Compact

## Maintenance

- Servicing concept, with service points accessible from ground level
- Engine oil level and filling nozzle accessible from ground level
- Standard shut-off valve on hydraulic tank outlet

## Equipment

- Large choice of types and sizes of equipment
- Longer lifespan of components and higher productivity thanks to automatic centralised lubrication system
- Safety check valves for hoist and stick cylinders

## Safety

- Panoramic visibility with no obstructions and camera on the rear and the right side equipment for enhanced safety
- Lifiable console for easy and safe access to cab
- ROPS-certified cab structure: rollover protection
- Emergency exit via the rear cab window
- Right window and windshield in laminated and tinted glass







## Comfort

- Spacious, air-conditioned work space
- Airsprung seat with vertical and horizontal suspension
- Easy-to-use high resolution 7" colour touchscreen
- Completely retractable front cab window

## Compactness

- Short tail swing radius of 1.85 m for increased safety and flexibility on work sites
- The perfect machine for narrow sites – ideal for urban applications and on motorways

## Engine

- New engine that conforms with the Stage V European exhaust emissions standard
- Automatic idle-stop

## Undercarriage

- Robust, reliable X-frame undercarriage, easy to secure thanks to its integrated eyelets
- Easy maintenance
- Several combinations of undercarriage and blades / support blades available
- Optional rubber track pads for urban application
- Extra storage as an option
- Maintenance-free travel gear and track rollers with lifetime lubrication

# Technical data



## Engine

<b>Rating per ISO 9249</b>	110 kW (150 HP) at 1,800 RPM
<b>Torque</b>	682 Nm at 1,400 RPM
<b>Model</b>	Liebherr D924 A7-05
<b>Type</b>	4 cylinder in-line
<b>Bore</b>	104 mm
<b>Stroke</b>	132 mm
<b>Displacement</b>	4.5 l
<b>Engine operation</b>	4-stroke diesel Common-Rail Turbo-charged and after-cooler
<b>Exhaust gas treatment</b>	Stage V DOC + SCR Filter Passive regeneration by thermo management
<b>Cooling system</b>	Water-cooled and integrated motor oil cooler
<b>Air cleaner</b>	Dry-type air cleaner with pre-cleaner, primary and safety elements
<b>Fuel tank</b>	250 l
<b>Urea tank</b>	46 l
<b>Electrical system</b>	
<b>Voltage</b>	24 V
<b>Batteries</b>	2 x 135 Ah/ 12 V
<b>Alternator</b>	Three-phase current 28 V/140 A
<b>Engine idling</b>	Sensor controlled



## Hydraulic controls

<b>Power distribution</b>	Via control valves with integrated safety valves, simultaneous and independent actuation of undercarriage, swing drive and equipment
<b>Servo circuit</b>	
<b>Equipment and swing</b>	Proportional via joystick levers
<b>Travel</b>	- Proportional control via foot pedals or removable levers - Speed pre-selection
<b>Additional functions</b>	Proportional regulation via foot pedals or mini-joystick



## Hydraulic system

<b>Hydraulic pump</b>	Liebherr, variable displacement, swashplate pump
<b>Max. flow</b>	300 l/min.
<b>Max. pressure</b>	350 bar
<b>Hydraulic pump regulation and control</b>	Liebherr-Synchron-Comfort-system (LSC) with electronic engine speed sensing regulation, pressure and flow compensation, torque controlled swing drive priority
<b>Hydraulic tank</b>	130 l
<b>Hydraulic system</b>	max. 300 l
<b>Hydraulic oil filter</b>	1 main return filter with integrated partial micro filtration (5 µm)
<b>Cooling system</b>	Compact cooling system comprising cooling unit for water, hydraulic oil and charge air with stepless, thermostatically controlled fan
<b>MODE selection</b>	Adjustment of engine and hydraulic performance via a mode pre-selector to match application, e.g. for especially economical and environmentally friendly operation or for maximum digging performance and heavy-duty jobs
<b>Engine speed and performance setting</b>	Stepless adjustment of engine output and hydraulic power via engine speed



## Swing drive

<b>Drive</b>	Liebherr swashplate motor with integrated brake valve and torque control
<b>Transmission</b>	Liebherr compact planetary reduction gears
<b>Swing ring</b>	Liebherr, sealed race ball bearing swing ring, internal teeth
<b>Swing speed</b>	0 - 10.0 RPM stepless
<b>Swing torque</b>	51 kNm
<b>Holding brake</b>	Wet multi-disc (spring applied, pressure released)


**Cab**

<b>Cab</b>	ROPS safety cab structure (roll-over protection system according to ISO 12117-2:2008) with windscreen, totally or partially retractable (only upper part), under cab roof, LED work headlights integrated in the ceiling, a door with a sliding window (can be opened on both sides), large storing box and several stowing possibilities, shock-absorbing suspension, laminated right hand side and roof windows, all windows tinted, separate extensible window shades for the sunroof window and windscreen, cigarette lighter and 24 V plug, 12 V plug, cup holder
<b>Operator's seat</b>	Liebherr-Comfort seat, airsprung with automatic weight adjustment, vertical and longitudinal seat damping including consoles and joysticks. Seat and armrests adjustable separately and in combination (adjustable in length, height and inclination), seat heating as standard
<b>Arm consoles</b>	Oscillating consoles with seat, tiltable console left
<b>Operation and displays</b>	Large high-resolution operating unit, intuitive, colour display with touchscreen, video-compatible, numerous setting, control and monitoring options, e.g. air conditioning control, fuel consumption, machine and attachment parameters
<b>Air-conditioning</b>	Automatic air-conditioning, recirculated air function, fast de-icing and demisting at the press of a button, air vents can be operated via a menu. Recirculated air and fresh air filters can be easily replaced and are accessible from the outside. Heating-cooling unit, designed for extreme outside temperatures, sensors for solar radiation, inside and outside temperatures The air conditioning system contains fluorinated greenhouse gases
Refrigerant	R134a
Global warming potential	1,430
Quantity at 25 °C*	1,260 g
CO <sub>2</sub> equivalent	1.80 t
<b>Vibration emission**</b>	
Hand / arm vibrations	< 2.5 m/s <sup>2</sup> , according with ISO 5349-1:2001
Whole-body vibrations	< 0.5 m/s <sup>2</sup>
Measuring inaccuracy	According with standard EN 12096:1997
<b>Noise emission</b>	
ISO 6396	70 dB(A) = L <sub>DA</sub> (inside cab)
2000/14/EC	100 dB(A) = L <sub>WA</sub> (surround noise)


**Undercarriage**

<b>Versions</b>	
NLC	Gauge 2,000 mm
LC	Standard gauge 2,250 mm
<b>Drive</b>	Liebherr swashplate motor with brake valves on both sides
<b>Transmission</b>	Liebherr compact planetary reduction gear
<b>Maximum travel speed</b>	2.6 km/h low range 5.7 km/h high range
<b>Drawbar pull on crawler</b>	192 kN
<b>Track components</b>	B60, maintenance-free
<b>Track rollers / Carrier rollers</b>	7 / 2
<b>Tracks</b>	Sealed and greased
<b>Track pads</b>	Triple grouser
<b>Holding brake</b>	Wet multi-disc (spring applied, pressure released)
<b>Brake valves</b>	Integrated into travel motor
<b>Lashing eyes</b>	Integrated

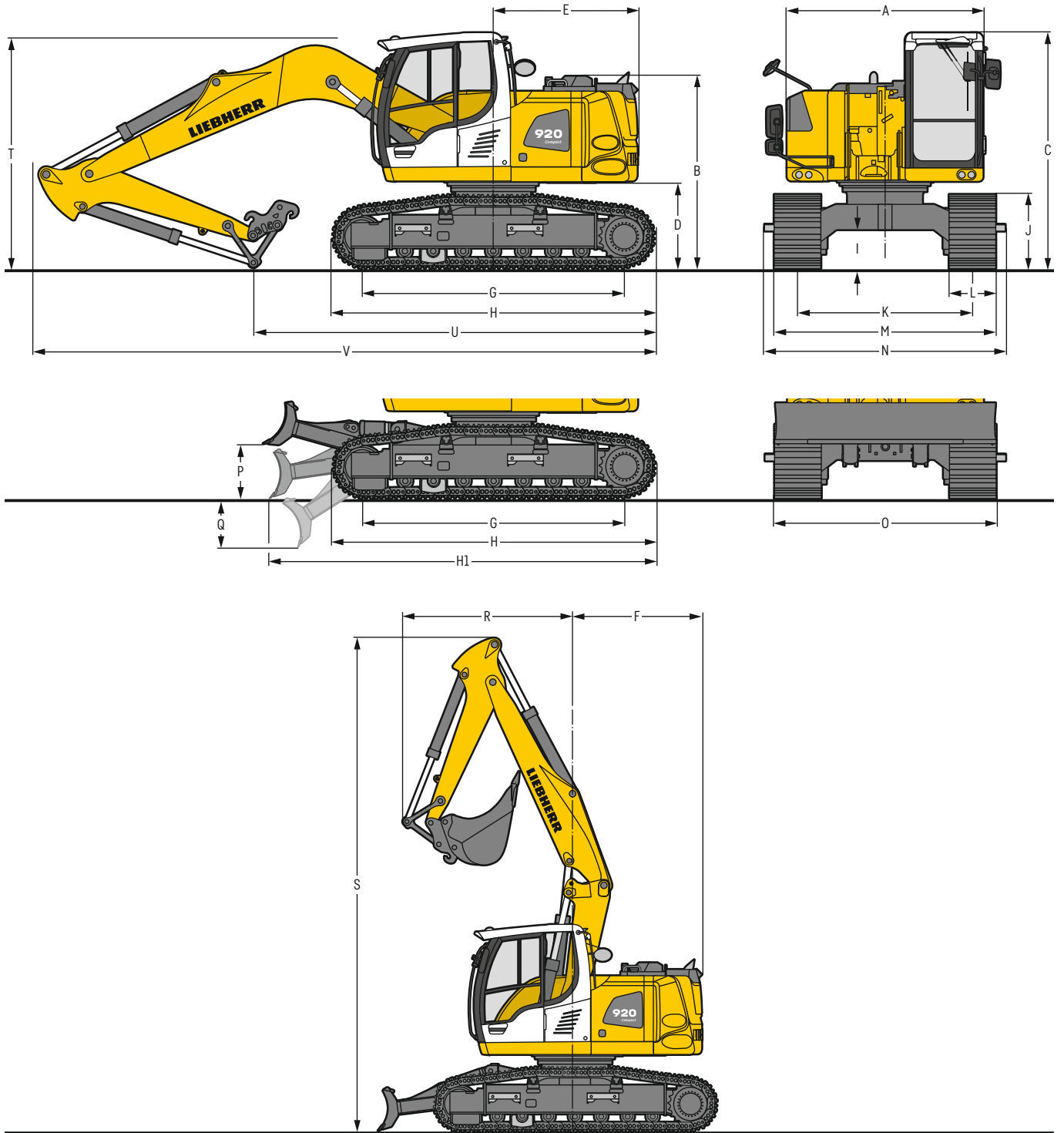

**Equipment**

<b>Hydraulic cylinders</b>	Liebherr cylinders with seal and guidance systems
<b>Bearings</b>	Sealed, low maintenance
<b>Lubrication</b>	Liebherr central lubrication system

\* Valid for standard machine without operator's cab elevation and without height adjustable cab

\*\* For the risk assessment according to 2002/44/EC see ISO/TR 25398:2006

# Dimensions



	NLC	mm			NLC with blade	mm			LC	mm			LC with blade	mm		
A	Uppercarriage width	2,525			2,525			2,525			2,525			2,525		
B	Uppercarriage height	2,470			2,470			2,470			2,470			2,470		
C	Cab height	3,035			3,035			3,035			3,035			3,035		
D	Counterweight ground clearance	1,100			1,100			1,100			1,100			1,100		
E	Rear-end length	1,850			1,850			1,850			1,850			1,850		
F	Tail swing radius	1,850			1,850			1,850			1,850			1,850		
G	Wheelbase	3,370			3,370			3,370			3,370			3,370		
H	Undercarriage length	4,150			4,150			4,150			4,150			4,150		
H1	Undercarriage length with blade	-			5,110			-			5,040			-		
I	Undercarriage ground clearance	490			490			490			490			490		
J	Track height	955			955			955			955			955		
K	Track gauge	2,000			2,000			2,250			2,250			2,250		
L	Track pad width	500	600	750	500	600	750	500	600	750	900	500	600	750	900	
M	Width over tracks	2,500	2,600	2,750	2,500	2,600	2,750	2,750	2,850	3,000	3,150	2,750	2,850	3,000	3,150	
N	Width over steps	2,490	2,660*	2,660*	2,490	2,660*	2,660*	2,800	2,800	3,000*	3,100*	2,800	2,800	3,000*	3,100*	
O	Blade width	-			2,500 2,600 2,850			-			2,850 2,850 3,000			-		
P	Max. blade height	-			685			-			685			-		
Q	Max. blade depth	-			635			-			635			-		

\* width with removable steps

	Stick length m	Mono boom 5.00 m with quick coupler mm			Two-piece boom 5.30 m with quick coupler mm			Mono boom offset 4.90 m with quick coupler mm				Two-piece boom offset 5.00 m with quick coupler mm				
R	Front swing radius	2.25	2,550			2,650			2,750				3,100			
		2.45	2,400			2,700			2,450				2,850			
		2.65	2,450			2,750			2,300				2,750			
S	Height with boom up	7,300			7,550			7,250				7,300				
T	Boom height	2.25	3,000			3,000			2,800				2,950			
		2.45	3,050			3,050			2,850				3,050			
		2.65	3,150			3,100			2,900				3,100			
U	Length on ground	2.25	5,150			5,700			4,950				5,400			
		2.45	5,050			5,600			4,800				5,300			
		2.65	4,850			5,500			4,650				5,200			
V	Overall length	8,100			8,300			7,950				8,100				
	Bucket	0.80 m <sup>3</sup>			0.80 m <sup>3</sup>			0.80 m <sup>3</sup>				0.80 m <sup>3</sup>				

## Transport dimensions

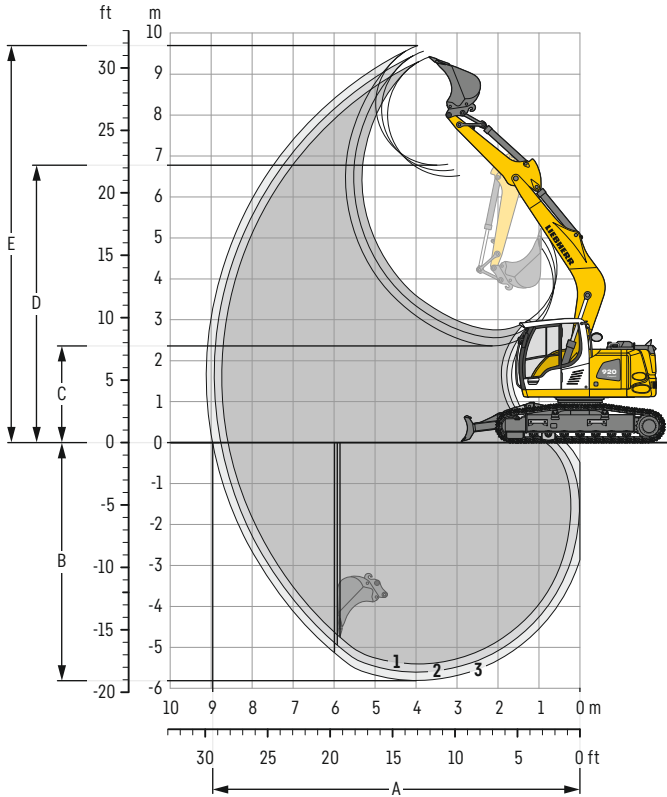
### removable elements disassembled

	Undercarriage	Mono boom 5.00 m mm			Two-piece boom 5.30 m mm			Mono boom offset 4.90 m mm				Two-piece boom offset 5.00 m mm			
Pad width		500	600	750	500	600	750	500	600	750	900	500	600	750	900
Transport width	NLC	2,525	2,600	2,750	2,525	2,600	2,750	2,525	2,600	2,750	-	2,525	2,600	2,750	-
	LC	2,750	2,850	3,000	2,750	2,850	3,000	2,750	2,850	3,000	3,150	2,750	2,850	3,000	3,150

	Undercarriage / Stick m	NLC / LC mm			NLC / LC mm			NLC / LC mm				NLC / LC mm			
Transport length		8,100			8,300			7,950				8,100			
Transport height	2.25	3,035			3,035			3,035				3,035			
	2.45	3,050			3,050			3,050				3,050			
	2.65	3,150			3,150			3,150				3,150			

# Backhoe bucket

with mono boom 5.00 m



## Digging envelope

with quick coupler	1	2	3	
Stick length	m	2.25	2.45	2.65
A Max. reach at ground level	m	8.55	8.75	8.95
B Max. digging depth	m	5.40	5.60	5.80
C Min. dumping height	m	2.75	2.55	2.35
D Max. dumping height	m	6.50	6.65	6.80
E Max. cutting height	m	9.40	9.55	9.70

## Forces

without quick coupler	1	2	3	
Stick digging force (ISO 6015)	kN	83	78	74
Bucket digging force (ISO 6015)	kN	98	98	98
Stick digging force (SAE J1179)	kN	79	75	71
Bucket digging force (SAE J1179)	kN	89	89	89

## Operating weight and ground pressure

The operating weight includes the basic machine with counterweight 3.9 t, mono boom 5.00 m, stick 2.65 m, quick coupler SWA 33 and bucket 0.80 m<sup>3</sup> (480 kg).

Undercarriage	NLC			
Pad width	mm	500	600	750
Weight	kg	18,750	19,000	19,400
Ground pressure	kg/cm <sup>2</sup>	0.52	0.44	0.36

Undercarriage	NLC with blade			
Pad width	mm	500	600	750
Weight	kg	20,250	20,500	20,900
Ground pressure	kg/cm <sup>2</sup>	0.56	0.47	0.39

Undercarriage	LC			
Pad width	mm	500	600	750
Weight	kg	18,800	19,050	19,450
Ground pressure	kg/cm <sup>2</sup>	0.52	0.44	0.36

Undercarriage	LC with blade			
Pad width	mm	500	600	750
Weight	kg	20,400	20,650	21,050
Ground pressure	kg/cm <sup>2</sup>	0.56	0.47	0.39



**Buckets** Machine stability per ISO 10567\* (75% of tipping capacity)

	Cutting width mm	Capacity ISO 7451 m <sup>3</sup>	Weight <sup>3)</sup> kg	NLC undercarriage (with track pads 500 mm)						NLC undercarriage with blade (with track pads 500 mm)						LC undercarriage (with track pads 600 mm)						LC undercarriage with blade (with track pads 600 mm)					
				Stick length (m)			Stick length (m)			Stick length (m)			Stick length (m)			Stick length (m)			Stick length (m)								
				without quick coupler	with quick coupler		without quick coupler	with quick coupler		without quick coupler	with quick coupler		without quick coupler	with quick coupler		without quick coupler	with quick coupler		without quick coupler	with quick coupler							
2.25	2.45	2.65	2.25	2.45	2.65	2.25	2.45	2.65	2.25	2.45	2.65	2.25	2.45	2.65	2.25	2.45	2.65	2.25	2.45	2.65							
STD <sup>1)</sup>	500	0.30	290	▲	▲	▲	▲	▲	▲	▲	▲	▲	▲	▲	▲	▲	▲	▲	▲	▲	▲	▲					
	650	0.42	350	▲	▲	▲	▲	▲	▲	▲	▲	▲	▲	▲	▲	▲	▲	▲	▲	▲	▲	▲					
	850	0.60	400	▲	▲	▲	▲	▲	▲	▲	▲	▲	▲	▲	▲	▲	▲	▲	▲	▲	▲	▲					
	1,050	0.80	480	▲	▲	▲	▲	▲	▲	▲	▲	▲	▲	▲	▲	▲	▲	▲	▲	▲	▲	▲					
	1,250	0.95	525	▲	■	■	▲	■	■	▲	▲	▲	▲	▲	▲	▲	▲	▲	▲	▲	▲	▲					
HD <sup>2)</sup>	500	0.30	320	▲	▲	▲	▲	▲	▲	▲	▲	▲	▲	▲	▲	▲	▲	▲	▲	▲	▲	▲					
	650	0.42	390	▲	▲	▲	▲	▲	▲	▲	▲	▲	▲	▲	▲	▲	▲	▲	▲	▲	▲	▲					
	850	0.60	450	▲	▲	▲	▲	▲	▲	▲	▲	▲	▲	▲	▲	▲	▲	▲	▲	▲	▲	▲					
	1,050	0.80	540	▲	▲	▲	▲	▲	▲	▲	▲	▲	▲	▲	▲	▲	▲	▲	▲	▲	▲	▲					
	1,250	0.95	595	▲	■	■	■	■	■	▲	▲	▲	▲	▲	▲	▲	▲	▲	▲	▲	▲	▲					

\* Indicated loads are based on ISO 10567, at maximum reach, and may be swung 360° on firm and even ground

<sup>1)</sup> Standard bucket with teeth UNI-35-3

<sup>2)</sup> HD bucket with teeth UNI-35-3

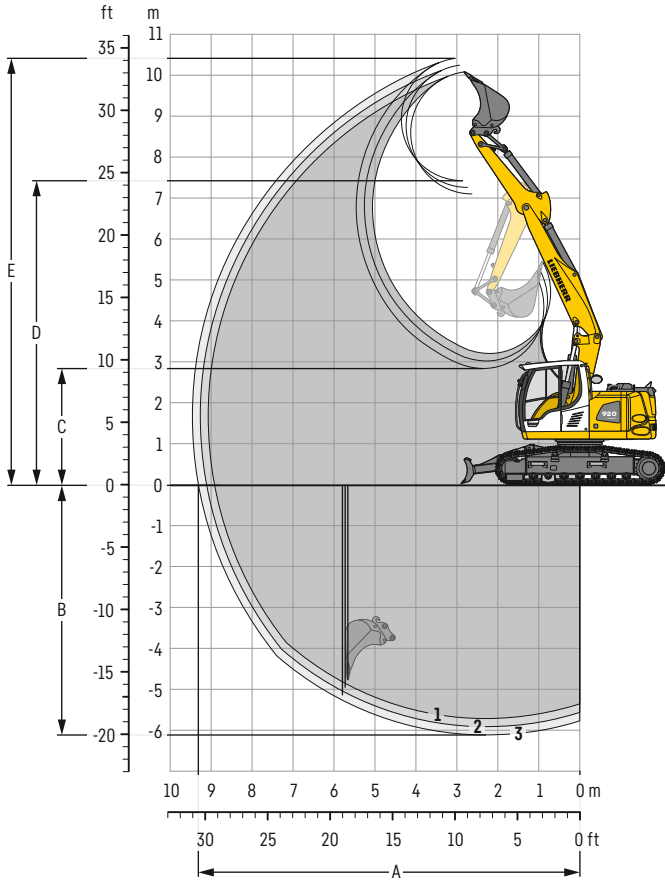
<sup>3)</sup> Bucket for direct mounting or mounting to quick coupler

Other buckets available upon request

Max. material weight ▲ = ≤ 2.0 t/m<sup>3</sup>, ■ = ≤ 1.8 t/m<sup>3</sup>, ▲ = ≤ 1.65 t/m<sup>3</sup>

# Backhoe bucket

with two-piece boom 5.30 m



## Digging envelope

with quick coupler		1	2	3
Stick length	m	2.25	2.45	2.65
A Max. reach at ground level	m	8.90	9.10	9.30
B Max. digging depth	m	5.70	5.90	6.10
C Min. dumping height	m	3.20	3.00	2.85
D Max. dumping height	m	7.10	7.25	7.40
E Max. cutting height	m	10.10	10.25	10.40

## Forces

without quick coupler		1	2	3
Stick digging force (ISO 6015)	kN	83	78	74
Bucket digging force (ISO 6015)	kN	98	98	98
Stick digging force (SAE J1179)	kN	79	75	71
Bucket digging force (SAE J1179)	kN	89	89	89

## Operating weight and ground pressure

The operating weight includes the basic machine with counterweight 3.9 t, two-piece boom 5.30 m, stick 2.65 m, quick coupler SWA 33 and bucket 0.80 m<sup>3</sup> (480 kg).

Undercarriage		NLC		
Pad width	mm	500	600	750
Weight	kg	19,050	19,300	19,700
Ground pressure	kg/cm <sup>2</sup>	0.52	0.44	0.36

Undercarriage		NLC with blade		
Pad width	mm	500	600	750
Weight	kg	20,550	20,800	21,200
Ground pressure	kg/cm <sup>2</sup>	0.56	0.47	0.39

Undercarriage		LC		
Pad width	mm	500	600	750
Weight	kg	19,100	19,350	19,750
Ground pressure	kg/cm <sup>2</sup>	0.52	0.44	0.36

Undercarriage		LC with blade		
Pad width	mm	500	600	750
Weight	kg	20,700	20,950	21,350
Ground pressure	kg/cm <sup>2</sup>	0.56	0.47	0.39

**Buckets** Machine stability per ISO 10567\* (75% of tipping capacity)

	Cutting width mm	Capacity ISO 7451 m <sup>3</sup>	Weight <sup>3)</sup> kg	NLC undercarriage (with track pads 500 mm)						NLC undercarriage with blade (with track pads 500 mm)						LC undercarriage (with track pads 600 mm)						LC undercarriage with blade (with track pads 600 mm)					
				Stick length (m)			Stick length (m)			Stick length (m)			Stick length (m)			Stick length (m)			Stick length (m)								
				without quick coupler	with quick coupler		without quick coupler	with quick coupler		without quick coupler	with quick coupler		without quick coupler	with quick coupler		without quick coupler	with quick coupler		without quick coupler	with quick coupler							
2.25	2.45	2.65	2.25	2.45	2.65	2.25	2.45	2.65	2.25	2.45	2.65	2.25	2.45	2.65	2.25	2.45	2.65	2.25	2.45	2.65							
STD <sup>1)</sup>	500	0.30	290	▲	▲	▲	▲	▲	▲	▲	▲	▲	▲	▲	▲	▲	▲	▲	▲	▲	▲	▲					
	650	0.42	350	▲	▲	▲	▲	▲	▲	▲	▲	▲	▲	▲	▲	▲	▲	▲	▲	▲	▲	▲					
	850	0.60	400	▲	▲	▲	▲	▲	▲	▲	▲	▲	▲	▲	▲	▲	▲	▲	▲	▲	▲	▲					
	1,050	0.80	480	▲	▲	▲	▲	▲	▲	▲	▲	▲	▲	▲	▲	▲	▲	▲	▲	▲	▲	▲					
	1,250	0.95	525	■	▲	▲	■	▲	■	■	▲	■	■	▲	■	■	▲	▲	■	▲	▲	▲	▲				
HD <sup>2)</sup>	500	0.30	320	▲	▲	▲	▲	▲	▲	▲	▲	▲	▲	▲	▲	▲	▲	▲	▲	▲	▲	▲					
	650	0.42	390	▲	▲	▲	▲	▲	▲	▲	▲	▲	▲	▲	▲	▲	▲	▲	▲	▲	▲	▲					
	850	0.60	450	▲	▲	▲	▲	▲	▲	▲	▲	▲	▲	▲	▲	▲	▲	▲	▲	▲	▲	▲					
	1,050	0.80	540	▲	▲	■	▲	▲	■	▲	▲	▲	▲	▲	▲	▲	▲	▲	▲	▲	▲	▲	▲				
	1,250	0.95	595	■	▲	■	▲	▲	■	■	▲	■	■	▲	■	■	▲	▲	■	▲	▲	▲	▲				

\* Indicated loads are based on ISO 10567, at maximum reach, and may be swung 360° on firm and even ground

<sup>1)</sup> Standard bucket with teeth UNI-35-3

<sup>2)</sup> HD bucket with teeth UNI-35-3

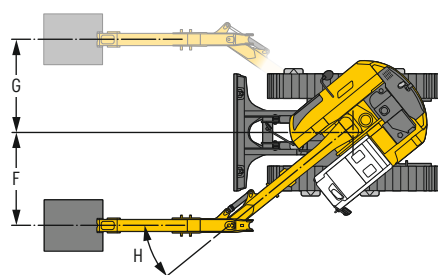
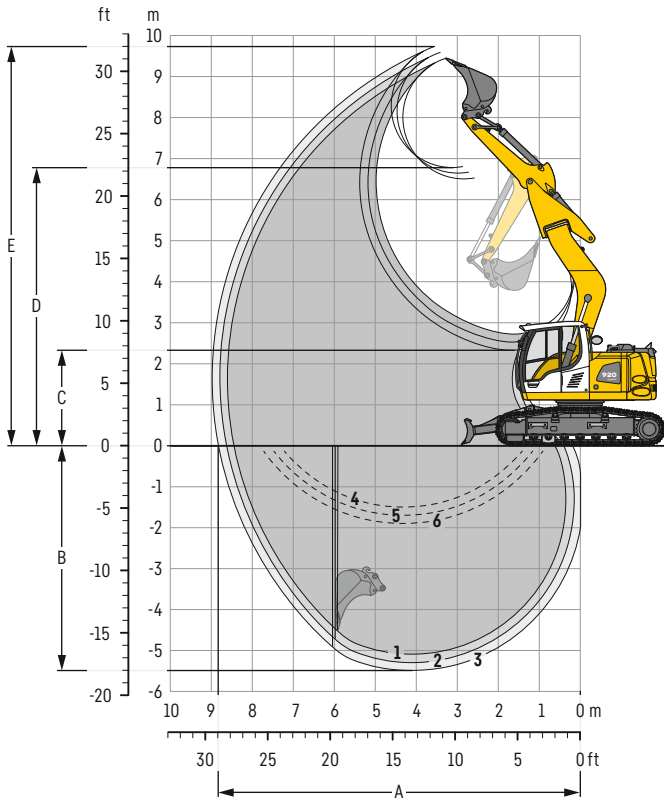
<sup>3)</sup> Bucket for direct mounting or mounting to quick coupler

Other buckets available upon request

Max. material weight ▲ = ≤ 2.0 t/m<sup>3</sup>, ■ = ≤ 1.8 t/m<sup>3</sup>, ▲ = ≤ 1.65 t/m<sup>3</sup>, ■ = ≤ 1.5 t/m<sup>3</sup>

# Backhoe bucket

with mono boom offset 4.90 m



## Digging envelope

with quick coupler		1	2	3
Stick length	m	2.25	2.45	2.65
A Max. reach at ground level	m	8.60	8.80	9.00
B Max. digging depth	m	5.10	5.30	5.50
C Min. dumping height	m	2.70	2.50	2.30
D Max. dumping height	m	6.50	6.65	6.80
E Max. cutting height	m	9.45	9.60	9.75
F Max. offset right	m		2.27	
G Max. offset left	m		2.27	
H Max. offset angle	°		39.1	

1 with stick 2.25 m  
 2 with stick 2.45 m  
 3 with stick 2.65 m  
 with set straight boom

4 with stick 2.25 m  
 5 with stick 2.45 m  
 6 with stick 2.65 m  
 at max. equipment offset with vertical ditch walls

## Forces

without quick coupler		1	2	3
Stick digging force (ISO 6015)	kN	83	78	74
Bucket digging force (ISO 6015)	kN	98	98	98
Stick digging force (SAE J1179)	kN	79	75	71
Bucket digging force (SAE J1179)	kN	89	89	89

## Operating weight and ground pressure

The operating weight includes the basic machine with counterweight 3.9 t, mono boom offset 4.90 m, stick 2.65 m, quick coupler SWA 33 and bucket 0.80 m<sup>3</sup> (4800 kg).

Undercarriage		NLC		
Pad width	mm	500	600	750
Weight	kg	19,150	19,400	19,800
Ground pressure	kg/cm <sup>2</sup>	0.53	0.45	0.36

Undercarriage		NLC with blade		
Pad width	mm	500	600	750
Weight	kg	20,650	20,900	21,300
Ground pressure	kg/cm <sup>2</sup>	0.57	0.48	0.39

Undercarriage		LC		
Pad width	mm	500	600	750
Weight	kg	19,200	19,450	19,850
Ground pressure	kg/cm <sup>2</sup>	0.53	0.45	0.36

Undercarriage		LC with blade		
Pad width	mm	500	600	750
Weight	kg	20,800	21,050	21,450
Ground pressure	kg/cm <sup>2</sup>	0.57	0.48	0.39

**Buckets** Machine stability per ISO 10567\* (75% of tipping capacity)

	Cutting width mm	Capacity ISO 7451 m <sup>3</sup>	Weight <sup>3)</sup> kg	NLC undercarriage (with track pads 500 mm)						NLC undercarriage with blade (with track pads 500 mm)						LC undercarriage (with track pads 600 mm)						LC undercarriage with blade (with track pads 600 mm)					
				Stick length (m)						Stick length (m)						Stick length (m)						Stick length (m)					
				without quick coupler			with quick coupler			without quick coupler			with quick coupler			without quick coupler			with quick coupler			without quick coupler			with quick coupler		
	2.25	2.45	2.65	2.25	2.45	2.65	2.25	2.45	2.65	2.25	2.45	2.65	2.25	2.45	2.65	2.25	2.45	2.65	2.25	2.45	2.65	2.25	2.45	2.65			
STD <sup>1)</sup>	500	0.30	290	▲	▲	▲	▲	▲	▲	▲	▲	▲	▲	▲	▲	▲	▲	▲	▲	▲	▲	▲	▲	▲	▲		
	650	0.42	350	▲	▲	▲	▲	▲	▲	▲	▲	▲	▲	▲	▲	▲	▲	▲	▲	▲	▲	▲	▲	▲	▲		
	850	0.60	400	▲	▲	▲	▲	▲	▲	▲	▲	▲	▲	▲	▲	▲	▲	▲	▲	▲	▲	▲	▲	▲	▲		
	1,050	0.80	480	▲	▲	▲	▲	▲	▲	▲	▲	▲	▲	▲	▲	▲	▲	▲	▲	▲	▲	▲	▲	▲	▲		
	1,250	0.95	525	▲	■	▲	■	■	▲	▲	▲	▲	▲	▲	■	▲	▲	▲	▲	▲	▲	▲	▲	▲	▲		
HD <sup>2)</sup>	500	0.30	320	▲	▲	▲	▲	▲	▲	▲	▲	▲	▲	▲	▲	▲	▲	▲	▲	▲	▲	▲	▲	▲	▲		
	650	0.42	390	▲	▲	▲	▲	▲	▲	▲	▲	▲	▲	▲	▲	▲	▲	▲	▲	▲	▲	▲	▲	▲	▲		
	850	0.60	450	▲	▲	▲	▲	▲	▲	▲	▲	▲	▲	▲	▲	▲	▲	▲	▲	▲	▲	▲	▲	▲	▲		
	1,050	0.80	540	▲	▲	▲	▲	▲	▲	▲	▲	▲	▲	▲	▲	▲	▲	▲	▲	▲	▲	▲	▲	▲	▲		
	1,250	0.95	595	■	■	▲	■	■	▲	▲	▲	■	▲	▲	■	▲	▲	▲	▲	▲	▲	▲	▲	▲	▲		

\* Indicated loads are based on ISO 10567, at maximum reach, and may be swung 360° on firm and even ground

<sup>1)</sup> Standard bucket with teeth UNI-35-3

<sup>2)</sup> HD bucket with teeth UNI-35-3

<sup>3)</sup> Bucket for direct mounting or mounting to quick coupler

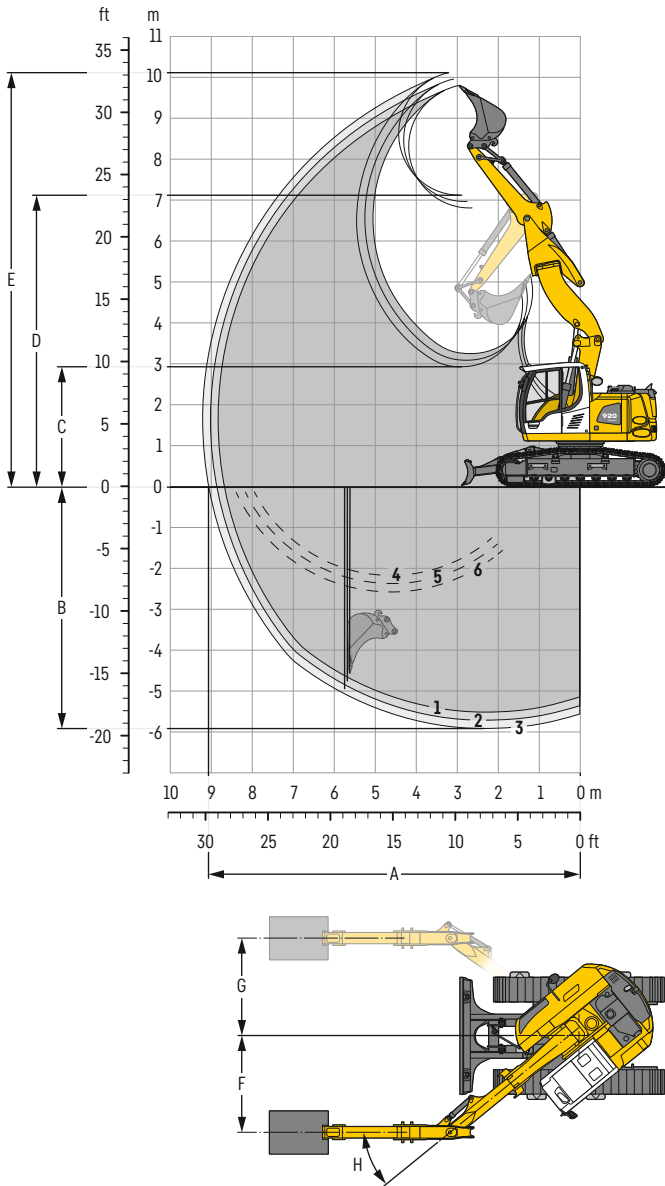
Other buckets available upon request

Max. material weight ▲ = ≤ 2.0 t/m<sup>3</sup>, ■ = ≤ 1.8 t/m<sup>3</sup>, ▲ = ≤ 1.65 t/m<sup>3</sup>



# Backhoe bucket

with two-piece boom offset 5.00 m



## Digging envelope

with quick coupler		1	2	3
Stick length	m	2.25	2.45	2.65
A Max. reach at ground level	m	8.65	8.85	9.05
B Max. digging depth	m	5.50	5.70	5.90
C Min. dumping height	m	3.25	3.10	2.95
D Max. dumping height	m	6.80	6.95	7.15
E Max. cutting height	m	9.80	9.95	10.10
F Max. offset right	m		2.38	
G Max. offset left	m		2.37	
H Max. offset angle	°		39.1	

1 with stick 2.25 m  
 2 with stick 2.45 m  
 3 with stick 2.65 m  
 with set straight boom

4 with stick 2.25 m  
 5 with stick 2.45 m  
 6 with stick 2.65 m  
 at max. equipment offset with vertical ditch walls

## Forces

without quick coupler		1	2	3
Stick digging force (ISO 6015)	kN	83	78	74
Bucket digging force (ISO 6015)	kN	98	98	98
Stick digging force (SAE J1179)	kN	79	75	71
Bucket digging force (SAE J1179)	kN	89	89	89

## Operating weight and ground pressure

The operating weight includes the basic machine with counterweight 3.9 t, two-piece boom offset 5.00 m, stick 2.65 m, quick coupler SWA 33 and bucket 0.80 m<sup>3</sup> (480 kg).

Undercarriage		NLC		
Pad width	mm	500	600	750
Weight	kg	19,600	19,850	20,250
Ground pressure	kg/cm <sup>2</sup>	0.54	0.46	0.37

Undercarriage		NLC with blade		
Pad width	mm	500	600	750
Weight	kg	21,100	21,350	21,750
Ground pressure	kg/cm <sup>2</sup>	0.58	0.49	0.40

Undercarriage		LC		
Pad width	mm	500	600	750
Weight	kg	19,650	19,900	20,300
Ground pressure	kg/cm <sup>2</sup>	0.54	0.46	0.37

Undercarriage		LC with blade		
Pad width	mm	500	600	750
Weight	kg	21,250	21,500	21,900
Ground pressure	kg/cm <sup>2</sup>	0.58	0.49	0.40

**Buckets** Machine stability per ISO 10567\* (75% of tipping capacity)

	Cutting width mm	Capacity ISO 7451 m <sup>3</sup>	Weight <sup>3)</sup> kg	NLC undercarriage (with track pads 500 mm)						NLC undercarriage with blade (with track pads 500 mm)						LC undercarriage (with track pads 600 mm)						LC undercarriage with blade (with track pads 600 mm)					
				Stick length (m)			Stick length (m)			Stick length (m)			Stick length (m)			Stick length (m)			Stick length (m)								
				without quick coupler	with quick coupler		without quick coupler	with quick coupler		without quick coupler	with quick coupler		without quick coupler	with quick coupler		without quick coupler	with quick coupler		without quick coupler	with quick coupler							
2.25	2.45	2.65	2.25	2.45	2.65	2.25	2.45	2.65	2.25	2.45	2.65	2.25	2.45	2.65	2.25	2.45	2.65	2.25	2.45	2.65							
STD <sup>1)</sup>	500	0.30	290	▲	▲	▲	▲	▲	▲	▲	▲	▲	▲	▲	▲	▲	▲	▲	▲	▲	▲	▲					
	650	0.42	350	▲	▲	▲	▲	▲	▲	▲	▲	▲	▲	▲	▲	▲	▲	▲	▲	▲	▲	▲					
	850	0.60	400	▲	▲	▲	▲	▲	▲	▲	▲	▲	▲	▲	▲	▲	▲	▲	▲	▲	▲	▲					
	1,050	0.80	480	▲	▲	■	▲	▲	▲	▲	▲	▲	▲	▲	▲	▲	▲	▲	▲	▲	▲	▲					
	1,250	0.95	525	■	▲	■	▲	▲	■	■	▲	■	■	▲	■	▲	▲	■	■	▲	▲	▲					
HD <sup>2)</sup>	500	0.30	320	▲	▲	▲	▲	▲	▲	▲	▲	▲	▲	▲	▲	▲	▲	▲	▲	▲	▲	▲					
	650	0.42	390	▲	▲	▲	▲	▲	▲	▲	▲	▲	▲	▲	▲	▲	▲	▲	▲	▲	▲	▲					
	850	0.60	450	▲	▲	▲	▲	▲	▲	▲	▲	▲	▲	▲	▲	▲	▲	▲	▲	▲	▲	▲					
	1,050	0.80	540	▲	▲	■	▲	■	■	▲	▲	▲	▲	▲	▲	▲	▲	▲	▲	▲	▲	▲					
	1,250	0.95	595	▲	▲	■	▲	■	■	▲	■	■	▲	■	■	▲	▲	■	■	▲	▲	▲					

\* Indicated loads are based on ISO 10567, at maximum reach, and may be swung 360° on firm and even ground

<sup>1)</sup> Standard bucket with teeth UNI-35-3

<sup>2)</sup> HD bucket with teeth UNI-35-3

<sup>3)</sup> Bucket for direct mounting or mounting to quick coupler

Other buckets available upon request

Max. material weight ▲ = ≤ 2.0 t/m<sup>3</sup>, ■ = ≤ 1.8 t/m<sup>3</sup>, ▲ = ≤ 1.65 t/m<sup>3</sup>, ■ = ≤ 1.5 t/m<sup>3</sup>

# Lift capacities

with mono boom 5.00 m, counterweight 3.9 t and track pads 500 mm / 600 mm

## Stick 2.25 m

Under-carriage m	3.0 m		4.5 m		6.0 m		7.5 m		m
7.5									3.7* 3.7* 4.1
6.0									3.1* 3.1* 5.7
4.5	6.6*	6.6*	5.0	5.4*	3.2	4.9*			2.7 2.9* 6.6
3.0			4.6	6.6*	3.0	5.3			2.3 3.0* 7.1
1.5			4.3	7.7*	2.9	5.1			2.2 3.2* 7.2
0	5.7*	5.7*	4.1	7.7	2.8	5.0			2.2 3.6* 7.0
-1.5	7.4	10.4*	4.0	7.6	2.7	4.9			2.5 4.4 6.5
-3.0	7.6	9.4*	4.1	6.7*					3.2 5.1* 5.5
7.5			4.8*	4.8*					3.7* 3.7* 4.1
6.0			4.8*	4.8*					3.1* 3.1* 5.7
4.5	6.6*	6.6*	5.3	5.4*	3.4	4.9*			2.9 2.9* 6.6
3.0			5.0	6.6*	3.3	5.3*			2.5 3.0* 7.1
1.5			4.6	7.7*	3.1	5.2			2.4 3.2* 7.2
0	5.7*	5.7*	4.4	7.8	3.0	5.1			2.4 3.6* 7.0
-1.5	8.0	10.4*	4.4	7.8	3.0	5.0			2.7 4.4* 6.5
-3.0	8.2	9.4*	4.5	6.7*					3.4 5.1* 5.5
7.5			4.8*	4.8*					3.7* 3.7* 4.1
6.0			4.8*	4.8*					3.1* 3.1* 5.7
4.5	6.6*	6.6*	5.4*	5.4*	3.6	4.9*			2.9* 2.9* 6.6
3.0			5.2	6.6*	3.4	5.3*			2.6 3.0* 7.1
1.5			4.9	7.7*	3.3	5.8*			2.5 3.2* 7.2
0	5.7*	5.7*	4.7	8.2*	3.2	6.0*			2.6 3.6* 7.0
-1.5	8.5	10.4*	4.6	7.9*	3.1	5.8*			2.8 4.4* 6.5
-3.0	8.7	9.4*	4.7	6.7*					3.6 5.1* 5.5
7.5			4.8*	4.8*					3.7* 3.7* 4.1
6.0			4.8*	4.8*					3.1* 3.1* 5.7
4.5	6.6*	6.6*	5.4*	5.4*	3.7	4.9*			2.9* 2.9* 6.6
3.0			5.4	6.6*	3.5	5.3*			2.7 3.0* 7.1
1.5			5.0	7.7*	3.4	5.2			2.6 3.2* 7.2
0	5.7*	5.7*	4.8	7.8	3.3	5.1			2.6 3.6* 7.0
-1.5	9.0	10.4*	4.8	7.8	3.2	5.0			2.9 4.4* 6.5
-3.0	9.2	9.4*	4.8	6.7*					3.7 5.1* 5.5
7.5			4.8*	4.8*					3.7* 3.7* 4.1
6.0			4.8*	4.8*					3.1* 3.1* 5.7
4.5	6.6*	6.6*	5.4*	5.4*	4.0	4.9*			2.9* 2.9* 6.6
3.0			5.8	6.6*	3.8	5.3*			3.0 3.0* 7.1
1.5			5.5	7.7*	3.7	5.3			2.8 3.2* 7.2
0	5.7*	5.7*	5.3	8.0	3.6	5.2			2.9 3.6* 7.0
-1.5	9.8	10.4*	5.2	7.9*	3.5	5.1			3.2 4.4* 6.5
-3.0	9.4*	9.4*	5.3	6.7*					4.0 5.1* 5.5
7.5			4.8*	4.8*					3.7* 3.7* 4.1
6.0			4.8*	4.8*					3.1* 3.1* 5.7
4.5	6.6*	6.6*	5.4*	5.4*	4.2	4.9*			2.9* 2.9* 6.6
3.0			6.2	6.6*	4.1	5.3*			3.0* 3.0* 7.1
1.5			5.8	7.7*	3.9	5.8*			3.0 3.2* 7.2
0	5.7*	5.7*	5.6	8.2*	3.8	6.0*			3.0 3.6* 7.0
-1.5	10.4*	10.4*	5.6	7.9*	3.7	5.8*			3.4 4.4* 6.5
-3.0	9.4*	9.4*	5.6	6.7*					4.3 5.1* 5.5

## Stick 2.45 m

Under-carriage m	3.0 m		4.5 m		6.0 m		7.5 m		m
7.5									3.3* 3.3* 4.4
6.0									2.8* 2.8* 6.0
4.5			4.6*	4.6*					2.5 2.7* 6.8
3.0	8.5	9.7*	4.6	6.4*	3.0	5.2*			2.2 2.7* 7.3
1.5			4.3	7.6*	2.9	5.1			2.1 2.9* 7.4
0	6.0*	6.0*	4.0	7.7	2.7	4.9			2.1 3.2* 7.2
-1.5	7.3	10.0*	4.0	7.6	2.7	4.9			2.3 3.9* 6.7
-3.0	7.5	9.7*	4.0	6.9*					2.9 5.0* 5.7
7.5			4.6*	4.6*					3.3* 3.3* 4.4
6.0			4.6*	4.6*					2.8* 2.8* 6.0
4.5			5.2*	5.2*	3.4	4.7*			2.7* 2.7* 6.8
3.0	9.2	9.7*	5.0	6.4*	3.3	5.2*			2.4 2.7* 7.3
1.5			4.6	7.6*	3.1	5.2			2.3 2.9* 7.4
0	6.0*	6.0*	4.4	7.8	3.0	5.0			2.3 3.2* 7.2
-1.5	8.0	10.0*	4.3	7.7	3.0	5.0			2.6 3.9* 6.7
-3.0	8.1	9.7*	4.4	6.9*					3.2 5.0* 5.7
7.5			4.6*	4.6*					3.3* 3.3* 4.4
6.0			4.6*	4.6*					2.8* 2.8* 6.0
4.5			5.2*	5.2*	3.6	4.7*			2.7* 2.7* 6.8
3.0	9.7	9.7*	5.2	6.4*	3.4	5.2*			2.5 2.7* 7.3
1.5			4.9	7.6*	3.3	5.7*			2.4 2.9* 7.4
0	6.0*	6.0*	4.6	8.2*	3.1	6.0*			2.4 3.2* 7.2
-1.5	8.4	10.0*	4.6	8.0*	3.1	5.8*			2.7 3.9* 6.7
-3.0	8.6	9.7*	4.6	6.9*					3.4 5.0* 5.7
7.5			4.6*	4.6*					3.3* 3.3* 4.4
6.0			4.6*	4.6*					2.8* 2.8* 6.0
4.5			5.2*	5.2*	3.7	4.7*			2.7* 2.7* 6.8
3.0	9.7*	9.7*	5.4	6.4*	3.5	5.2*			2.6 2.7* 7.3
1.5			5.0	7.6*	3.4	5.2			2.5 2.9* 7.4
0	6.0*	6.0*	4.8	7.8	3.2	5.0			2.5 3.2* 7.2
-1.5	8.9	10.0*	4.7	7.7	3.2	5.0			2.8 3.9* 6.7
-3.0	9.1	9.7*	4.8	6.9*					3.5 5.0* 5.7
7.5			4.6*	4.6*					3.3* 3.3* 4.4
6.0			4.6*	4.6*					2.8* 2.8* 6.0
4.5			5.2*	5.2*	4.0	4.7*			2.7* 2.7* 6.8
3.0	9.7*	9.7*	5.9	6.4*	3.8	5.2*			2.7* 2.7* 7.3
1.5			5.5	7.6*	3.7	5.3			2.7 2.9* 7.4
0	6.0*	6.0*	5.2	8.0	3.5	5.1			2.7 3.2* 7.2
-1.5	9.7	10.0*	5.2	7.9	3.5	5.1			3.0 3.9* 6.7
-3.0	9.7*	9.7*	5.2	6.9*					3.8 5.0* 5.7
7.5			4.6*	4.6*					3.3* 3.3* 4.4
6.0			4.6*	4.6*					2.8* 2.8* 6.0
4.5			5.2*	5.2*	4.2	4.7*			2.7* 2.7* 6.8
3.0	9.7*	9.7*	6.2	6.4*	4.1	5.2*			2.7* 2.7* 7.3
1.5			5.8	7.6*	3.9	5.7*			2.9* 2.9* 7.4
0	6.0*	6.0*	5.6	8.2*	3.8	6.0*			2.9 3.2* 7.2
-1.5	10.0*	10.0*	5.5	8.0*	3.7	5.8*			3.2 3.9* 6.7
-3.0	9.7*	9.7*	5.6	6.9*					4.0 5.0* 5.7

Height Can be slewed through 360° In longitudinal position of undercarriage Max. reach \* Limited by hydr. capacity

The load values are quoted in tons (t) at stick end (without bucket), and may be swung 360° on firm and even ground. Adjacent values are valid for the undercarriage when in the longitudinal position. Capacities are valid for 600 mm wide track pads. Indicated loads are based on ISO 10567 standard and do not exceed 75% of tipping or 87% of hydraulic capacity (indicated via \*). Without bucket cylinder, link and lever the lift capacities will increase by 230 kg. Lifting capacity of the excavator is limited by machine stability and hydraulic capacity.

According to European Standard, EN 474-5: In the European Union excavators have to be equipped with an overload warning device, a load diagram and automatic safety check valves on hoist cylinders and stick cylinder(s), when they are used for lifting operations which require the use of lifting accessories.

Determine maximum load lift from load lift chart displayed in the operator's cab or from load lift chart detailed in the operator's manual supplied with the machine.

<sup>1)</sup> Values are calculated with 500 mm wide track pads for the NLC-Undercarriage

## Stick 2.65 m

Under-carriage	3.0 m		4.5 m		6.0 m		7.5 m		m			
NLC <sup>U</sup>	7.5		3.7*	3.7*					2.9*	2.9*	4.7	
	6.0		4.3*	4.3*	3.2	3.4*			2.5*	2.5*	6.2	
	4.5		4.9*	4.9*	3.2	4.5*			2.4	2.4*	7.0	
	3.0	8.6	9.1*	4.7	6.1*	3.0	5.0*		2.1	2.4*	7.5	
	1.5			4.3	7.4*	2.9	5.1	2.1	3.4*	2.0	2.6*	7.6
	0	6.3*	6.3*	4.0	7.7	2.7	4.9			2.0	2.9*	7.4
	-1.5	7.2	9.6*	3.9	7.6	2.7	4.9			2.2	3.5*	6.9
-3.0	7.4	10.1*	4.0	7.1*					2.7	4.8*	6.0	
NLC <sup>U</sup> Blade up	7.5		3.7*	3.7*					2.9*	2.9*	4.7	
	6.0		4.3*	4.3*	3.4*	3.4*			2.5*	2.5*	6.2	
	4.5		4.9*	4.9*	3.4	4.5*			2.4*	2.4*	7.0	
	3.0	9.1*	9.1*	5.0	6.1*	3.3	5.0*		2.3	2.4*	7.5	
	1.5			4.6	7.4*	3.1	5.2	2.2	3.4*	2.2	2.6*	7.6
	0	6.3*	6.3*	4.4	7.8	3.0	5.0			2.2	2.9*	7.4
	-1.5	7.9	9.6*	4.3	7.7	2.9	4.9			2.4	3.5*	6.9
-3.0	8.0	10.1*	4.3	7.1*					3.0	4.8*	6.0	
NLC <sup>U</sup> Blade down	7.5		3.7*	3.7*					2.9*	2.9*	4.7	
	6.0		4.3*	4.3*	3.4*	3.4*			2.5*	2.5*	6.2	
	4.5		4.9*	4.9*	3.6	4.5*			2.4*	2.4*	7.0	
	3.0	9.1*	9.1*	5.3	6.1*	3.4	5.0*		2.4	2.4*	7.5	
	1.5			4.9	7.4*	3.3	5.6*	2.4	3.4*	2.3	2.6*	7.6
	0	6.3*	6.3*	4.6	8.1*	3.1	5.9*			2.3	2.9*	7.4
	-1.5	8.4	9.6*	4.5	8.0*	3.1	5.9*			2.6	3.5*	6.9
-3.0	8.5	10.1*	4.6	7.1*					3.1	4.8*	6.0	
LC	7.5		3.7*	3.7*					2.9*	2.9*	4.7	
	6.0		4.3*	4.3*	3.4*	3.4*			2.5*	2.5*	6.2	
	4.5		4.9*	4.9*	3.7	4.5*			2.4*	2.4*	7.0	
	3.0	9.1*	9.1*	5.4	6.1*	3.5	5.0*		2.4*	2.4*	7.5	
	1.5			5.0	7.4*	3.3	5.2	2.4	3.4*	2.4	2.6*	7.6
	0	6.3*	6.3*	4.8	7.8	3.2	5.0			2.4	2.9*	7.4
	-1.5	8.8	9.6*	4.7	7.7	3.2	5.0			2.6	3.5*	6.9
-3.0	9.0	10.1*	4.7	7.1*					3.2	4.8*	6.0	
LC Blade up	7.5		3.7*	3.7*					2.9*	2.9*	4.7	
	6.0		4.3*	4.3*	3.4*	3.4*			2.5*	2.5*	6.2	
	4.5		4.9*	4.9*	4.0	4.5*			2.4*	2.4*	7.0	
	3.0	9.1*	9.1*	5.9	6.1*	3.8	5.0*		2.4*	2.4*	7.5	
	1.5			5.5	7.4*	3.6	5.3	2.6	3.4*	2.6	2.6*	7.6
	0	6.3*	6.3*	5.2	8.0	3.5	5.1			2.6	2.9*	7.4
	-1.5	9.6*	9.6*	5.1	7.9	3.5	5.0			2.9	3.5*	6.9
-3.0	9.8	10.1*	5.2	7.1*					3.5	4.8*	6.0	
LC Blade down	7.5		3.7*	3.7*					2.9*	2.9*	4.7	
	6.0		4.3*	4.3*	3.4*	3.4*			2.5*	2.5*	6.2	
	4.5		4.9*	4.9*	4.2	4.5*			2.4*	2.4*	7.0	
	3.0	9.1*	9.1*	6.1*	6.1*	4.1	5.0*		2.4*	2.4*	7.5	
	1.5			5.8	7.4*	3.9	5.6*	2.8	3.4*	2.6*	2.6*	7.6
	0	6.3*	6.3*	5.6	8.1*	3.7	5.9*			2.8	2.9*	7.4
	-1.5	9.6*	9.6*	5.5	8.0*	3.7	5.9*			3.1	3.5*	6.9
-3.0	10.1*	10.1*	5.5	7.1*					3.8	4.8*	6.0	

Height Can be slewed through 360° In longitudinal position of undercarriage Max. reach \* Limited by hydr. capacity

The load values are quoted in tons (t) at stick end (without bucket), and may be swung 360° on firm and even ground. Adjacent values are valid for the undercarriage when in the longitudinal position. Capacities are valid for 600 mm wide track pads. Indicated loads are based on ISO 10567 standard and do not exceed 75% of tipping or 87% of hydraulic capacity (indicated via \*). Without bucket cylinder, link and lever the lift capacities will increase by 230 kg. Lifting capacity of the excavator is limited by machine stability and hydraulic capacity.

According to European Standard, EN 474-5: In the European Union excavators have to be equipped with an overload warning device, a load diagram and automatic safety check valves on hoist cylinders and stick cylinder(s), when they are used for lifting operations which require the use of lifting accessories.

Determine maximum load lift from load lift chart displayed in the operator's cab or from load lift chart detailed in the operator's manual supplied with the machine.

<sup>1)</sup> Values are calculated with 500 mm wide track pads for the NLC-Undercarriage

# Lift capacities

with two-piece boom 5.30 m, counterweight 3.9 t and track pads 500 mm / 600 mm

## Stick 2.25 m

Under-carriage m	3.0 m		4.5 m		6.0 m		7.5 m		m
7.5			4.7*	4.7*			3.7*	3.7*	4.7
6.0			5.2	5.9*			3.0	3.2*	6.1
4.5	8.8*	8.8*	5.1	6.5*	3.2	4.2*	2.4	3.0*	7.0
3.0	8.9	10.2*	5.0	7.5*	3.3	5.4*	2.1	2.9*	7.4
1.5	8.8	11.1*	5.0	8.0	3.2	5.4	2.0	3.1*	7.6
0	8.8	12.6*	4.8	8.0	3.0	5.2	2.1	3.4*	7.4
-1.5	8.4	13.1*	4.6	8.3	2.9	5.1	2.3	4.0*	6.9
-3.0	8.3	13.2*	4.3	7.6*			2.9	3.8*	5.8
-4.5									
7.5			4.7*	4.7*			3.7*	3.7*	4.7
6.0			5.5	5.9*	3.4	4.2*	3.2*	3.2*	6.1
4.5	8.8*	8.8*	5.4	6.5*	3.5	5.4*	2.6	3.0*	7.0
3.0	9.4	10.2*	5.3	7.5*	3.5	5.4	2.3	2.9*	7.4
1.5	9.3	11.1*	5.3	8.1	3.4	5.4	2.2	3.1*	7.6
0	9.4	12.6*	5.2	8.1	3.3	5.3	2.3	3.4*	7.4
-1.5	9.1	13.1*	4.9	8.4	3.1	5.2	2.5	4.0*	6.9
-3.0	8.9	13.2*	4.7	7.6*			3.2	3.8*	5.8
-4.5									
7.5			4.7*	4.7*			3.7*	3.7*	4.7
6.0			5.8	5.9*	3.6	4.2*	3.2*	3.2*	6.1
4.5	8.8*	8.8*	5.7	6.5*	3.7	5.4*	2.8	3.0*	7.0
3.0	9.9	10.2*	5.5	7.5*	3.7	5.7*	2.5	2.9*	7.4
1.5	9.7	11.1*	5.5	8.2*	3.6	6.0*	2.3	3.1*	7.6
0	9.9	12.6*	5.4	8.2*	3.4	6.1*	2.4	3.4*	7.4
-1.5	9.6	13.1*	5.2	8.4*	3.3	6.0*	2.6	4.0*	6.9
-3.0	9.4	13.2*	4.9	7.6*			3.4	3.8*	5.8
-4.5									
7.5			4.7*	4.7*			3.7*	3.7*	4.7
6.0			5.9*	5.9*	4.0	4.2*	3.2*	3.2*	6.1
4.5	8.8*	8.8*	5.8	6.5*	3.8	5.4*	2.8	3.0*	7.0
3.0	10.2*	10.2*	5.7	7.5*	3.8	5.4	2.5	2.9*	7.4
1.5	10.2	11.1*	5.6	8.1	3.7	5.4	2.4	3.1*	7.6
0	10.3	12.6*	5.6	8.1	3.5	5.3	2.4	3.4*	7.4
-1.5	10.1	13.1*	5.4	8.4	3.3	5.2	2.7	4.0*	6.9
-3.0	10.0	13.2*	5.1	7.6*			3.5	3.8*	5.8
-4.5									
7.5			4.7*	4.7*			3.7*	3.7*	4.7
6.0			5.9*	5.9*	4.0	4.2*	3.2*	3.2*	6.1
4.5	8.8*	8.8*	6.2	6.5*	4.1	5.4*	3.0*	3.0*	7.0
3.0	10.2*	10.2*	6.1	7.5*	4.1	5.5	2.7	2.9*	7.4
1.5	10.8	11.1*	6.0	8.2*	4.0	5.5	2.6	3.1*	7.6
0	11.0	12.6*	6.0	8.2	3.8	5.4	2.7	3.4*	7.4
-1.5	10.9	13.1*	5.8	8.4	3.6	5.3	3.0	4.0*	6.9
-3.0	10.8	13.2*	5.5	7.6*			3.8	3.8*	5.8
-4.5									
7.5			4.7*	4.7*			3.7*	3.7*	4.7
6.0			5.9*	5.9*	4.2*	4.2*	3.2*	3.2*	6.1
4.5	8.8*	8.8*	6.5*	6.5*	4.3	5.4*	3.0*	3.0*	7.0
3.0	10.2*	10.2*	6.4	7.5*	4.3	5.7*	2.9	2.9*	7.4
1.5	11.1*	11.1*	6.3	8.2*	4.2	6.0*	2.8	3.1*	7.6
0	11.6	12.6*	6.4	8.2*	4.0	6.1*	2.8	3.4*	7.4
-1.5	11.8	13.1*	6.2	8.4*	3.9	6.0*	3.1	4.0*	6.9
-3.0	11.6	13.2*	5.9	7.6*			3.8*	3.8*	5.8
-4.5									

## Stick 2.45 m

Under-carriage m	3.0 m		4.5 m		6.0 m		7.5 m		m
7.5			5.0*	5.0*			3.3*	3.3*	5.0
6.0			5.2	5.7*	3.2	4.6*	2.8*	2.8*	6.4
4.5	7.5*	7.5*	5.1	6.3*	3.3	5.3*	2.3	2.7*	7.2
3.0	8.9	10.2*	5.0	7.3*	3.3	5.3	2.1	2.7*	7.6
1.5	8.8*	11.1*	4.9	8.0	3.2	5.3	2.1	3.7	7.8
0	8.8	12.4*	4.8	8.0	3.0	5.3	2.0	3.6	7.6
-1.5	8.4	13.0*	4.6	8.2	2.9	5.1	2.2	3.5*	7.1
-3.0	8.3	13.4*	4.3	8.0*	2.8	4.0*	2.7	3.5*	6.1
-4.5									
7.5			5.0*	5.0*			3.3*	3.3*	5.0
6.0			5.6	5.7*	3.5	4.6*	2.8*	2.8*	6.4
4.5	7.5*	7.5*	5.4	6.3*	3.6	5.3*	2.5	2.7*	7.2
3.0	9.4	10.2*	5.3	7.3*	3.5	5.4	2.3	3.8	7.6
1.5	9.3	11.1*	5.2	8.1	3.4	5.4	2.1	2.8*	7.8
0	9.4	12.4*	5.2	8.1	3.3	5.4	2.2	3.0*	7.6
-1.5	9.0	13.0*	5.0	8.3	3.1	5.2	2.4	3.5*	7.1
-3.0	9.0	13.4*	4.7	8.0*	3.0	4.0*	2.9	3.5*	6.1
-4.5									
7.5			5.0*	5.0*			3.3*	3.3*	5.0
6.0			5.7*	5.7*	3.6	4.6*	2.8*	2.8*	6.4
4.5	7.5*	7.5*	5.7	6.3*	3.7	5.3*	2.6	2.7*	7.2
3.0	9.9	10.2*	5.5	7.3*	3.7	5.6*	2.3	2.7*	7.6
1.5	9.7	11.1*	5.5	8.1*	3.6	5.9*	2.4	4.7*	7.8
0	9.8	12.4*	5.4	8.2*	3.4	6.0*	2.3	3.0*	7.6
-1.5	9.6	13.0*	5.2	8.3*	3.3	6.0*	2.5	3.5*	7.1
-3.0	9.5	13.4*	4.9	8.0*	3.2	4.0*	3.1	3.5*	6.1
-4.5									
7.5			5.0*	5.0*			3.3*	3.3*	5.0
6.0			5.7*	5.7*	3.7	4.6*	2.8*	2.8*	6.4
4.5	7.5*	7.5*	5.8	6.3*	3.8	5.3*	2.7*	2.7*	7.2
3.0	10.2*	10.2*	5.7	7.3*	3.8	5.4	2.4	2.7*	7.6
1.5	10.1	11.1*	5.6	8.1	3.7	5.4	2.3	2.8*	7.8
0	10.2	12.4*	5.6	8.1	3.5	5.4	2.3	3.0*	7.6
-1.5	10.1	13.0*	5.4	8.3	3.4	5.2	2.6	3.5*	7.1
-3.0	10.0	13.4*	5.1	8.0*	3.3	4.0*	3.1	3.5*	6.1
-4.5									
7.5			5.0*	5.0*			3.3*	3.3*	5.0
6.0			5.7*	5.7*	4.0	4.6*	2.8*	2.8*	6.4
4.5	7.5*	7.5*	6.2	6.3*	4.1	5.3*	2.7*	2.7*	7.2
3.0	10.2*	10.2*	6.0	7.3*	4.1	5.5	2.6	2.7*	7.6
1.5	10.8	11.1*	6.0	8.1*	4.0	5.5	2.5	2.8*	7.8
0	10.9	12.4*	6.0	8.2	3.8	5.4	2.6	3.0*	7.6
-1.5	10.9	13.0*	5.8	8.3	3.7	5.3	2.8	3.5*	7.1
-3.0	10.8	13.4*	5.5	8.0*	3.6	4.0*	3.4	3.5*	6.1
-4.5									
7.5			5.0*	5.0*			3.3*	3.3*	5.0
6.0			5.7*	5.7*	4.3	4.6*	2.8*	2.8*	6.4
4.5	7.5*	7.5*	6.3*	6.3*	4.3	5.3*	2.7*	2.7*	7.2
3.0	10.2*	10.2*	6.4	7.3*	4.3	5.6*	2.9	3.8*	7.6
1.5	11.1*	11.1*	6.3	8.1*	4.2	5.9*	2.8	4.7*	7.8
0	11.5	12.4*	6.4	8.2*	4.1	6.0*	2.7	3.0*	7.6
-1.5	11.8	13.0*	6.2	8.3*	3.9	6.0*	3.0	3.5*	7.1
-3.0	11.7	13.4*	5.9	8.0*	3.8	4.0*	3.5*	3.5*	6.1
-4.5									

Height Can be slewed through 360° In longitudinal position of undercarriage Max. reach \* Limited by hydr. capacity

The load values are quoted in tons (t) at stick end (without bucket), and may be swung 360° on firm and even ground. Adjacent values are valid for the undercarriage when in the longitudinal position. Capacities are valid for 600 mm wide track pads with adjusting cylinder in optimal position. Indicated loads are based on ISO 10567 standard and do not exceed 75% of tipping or 87% of hydraulic capacity (indicated via \*). Without bucket cylinder, link and lever the lift capacities will increase by 230 kg. Lifting capacity of the excavator is limited by machine stability and hydraulic capacity.

According to European Standard, EN 474-5: In the European Union excavators have to be equipped with an overload warning device, a load diagram and automatic safety check valves on hoist cylinders and stick cylinder(s), when they are used for lifting operations which require the use of lifting accessories.

Determine maximum load lift from load lift chart displayed in the operator's cab or from load lift chart detailed in the operator's manual supplied with the machine.

<sup>1)</sup> Values are calculated with 500 mm wide track pads for the NLC-Undercarriage



## Stick 2.65 m

Under-carriage m	3.0 m		4.5 m		6.0 m		7.5 m		Max. reach		m
7.5			4.9*	4.9*					3.0*	3.0*	5.3
6.0			5.2	5.4*	3.3	4.6*			2.6*	2.6*	6.6
4.5	6.2*	6.2*	5.1	6.1*	3.3	5.1*			2.2	2.4*	7.4
3.0	8.9	10.1*	5.0	7.1*	3.3	5.3	2.2	3.7	2.0	2.4*	7.8
1.5	8.7	11.0*	4.9	7.9	3.2	5.3	2.1	3.7	1.9	2.5*	8.0
0	8.8	12.2*	4.8	7.9	3.1	5.3	2.0	3.6	1.9	2.7*	7.8
-1.5	8.4	12.9*	4.6	8.1	2.9	5.1			2.1	3.2*	7.3
-3.0	8.3	13.4*	4.3	8.1	2.8	4.6*			2.5	3.4*	6.4
-4.5	8.1	8.7*							6.5	7.0*	3.4
7.5			4.9*	4.9*					3.0*	3.0*	5.3
6.0			5.4*	5.4*	3.5	4.6*			2.6*	2.6*	6.6
4.5	6.2*	6.2*	5.4	6.1*	3.6	5.1*			2.4	2.4*	7.4
3.0	9.4	10.1*	5.3	7.1*	3.6	5.4	2.3	3.8	2.1	2.4*	7.8
1.5	9.2	11.0*	5.2	8.0*	3.5	5.4	2.3	3.7	2.0	2.5*	8.0
0	9.3	12.2*	5.2	8.0	3.3	5.4	2.2	3.7	2.1	2.7*	7.8
-1.5	9.0	12.9*	5.0	8.2	3.1	5.2			2.3	3.2*	7.3
-3.0	8.9	13.4*	4.7	8.2	3.0	4.6*			2.7	3.4*	6.4
-4.5	8.7*	8.7*							7.0	7.0*	3.4
7.5			4.9*	4.9*					3.0*	3.0*	5.3
6.0			5.4*	5.4*	3.7	4.6*			2.6*	2.6*	6.6
4.5	6.2*	6.2*	5.7	6.1*	3.7	5.1*			2.4*	2.4*	7.4
3.0	9.9	10.1*	5.5	7.1*	3.7	5.5*	2.5	4.4*	2.2	2.4*	7.8
1.5	9.7	11.0*	5.4	8.0*	3.6	5.9*	2.4	4.7*	2.1	2.5*	8.0
0	9.7	12.2*	5.4	8.1*	3.5	6.0*	2.3	4.5*	2.2	2.7*	7.8
-1.5	9.6	12.9*	5.2	8.3*	3.3	6.1*			2.4	3.2*	7.3
-3.0	9.4	13.4*	4.9	8.2*	3.2	4.6*			2.9	3.4*	6.4
-4.5	8.7*	8.7*							7.0*	7.0*	3.4
7.5			4.9*	4.9*					3.0*	3.0*	5.3
6.0			5.4*	5.4*	3.8	4.6*			2.6*	2.6*	6.6
4.5	6.2*	6.2*	5.8	6.1*	3.8	5.1*			2.4*	2.4*	7.4
3.0	10.1*	10.1*	5.7	7.1*	3.8	5.4	2.5	3.8	2.3	2.4*	7.8
1.5	10.1	11.0*	5.6	8.0*	3.7	5.4	2.5	3.7	2.2	2.5*	8.0
0	10.2	12.2*	5.6	8.0	3.6	5.4	2.4	3.7	2.2	2.7*	7.8
-1.5	10.1	12.9*	5.4	8.2	3.4	5.2			2.4	3.2*	7.3
-3.0	10.0	13.4*	5.1	8.2	3.2	4.6*			2.9	3.4*	6.4
-4.5	8.7*	8.7*							7.0*	7.0*	3.4
7.5			4.9*	4.9*					3.0*	3.0*	5.3
6.0			5.4*	5.4*	4.1	4.6*			2.6*	2.6*	6.6
4.5	6.2*	6.2*	6.1*	6.1*	4.1	5.1*			2.4*	2.4*	7.4
3.0	10.1*	10.1*	6.0	7.1*	4.1	5.5	2.7	3.9	2.4*	2.4*	7.8
1.5	10.7	11.0*	5.9	8.0*	4.0	5.4	2.7	3.8	2.4	2.5*	8.0
0	10.8	12.2*	6.0	8.1	3.8	5.5	2.6	3.7	2.4	2.7*	7.8
-1.5	10.9	12.9*	5.8	8.2	3.7	5.3			2.7	3.2*	7.3
-3.0	10.8	13.4*	5.5	8.2*	3.5	4.6*			3.2	3.4*	6.4
-4.5	8.7*	8.7*							7.0*	7.0*	3.4
7.5			4.9*	4.9*					3.0*	3.0*	5.3
6.0			5.4*	5.4*	4.3	4.6*			2.6*	2.6*	6.6
4.5	6.2*	6.2*	6.1*	6.1*	4.3	5.1*			2.4*	2.4*	7.4
3.0	10.1*	10.1*	6.4	7.1*	4.3	5.5*	2.9	4.4*	2.4*	2.4*	7.8
1.5	11.0*	11.0*	6.3	8.0*	4.2	5.9*	2.9	4.7*	2.5*	2.5*	8.0
0	11.5	12.2*	6.3	8.1*	4.1	6.0*	2.8	4.5*	2.6	2.7*	7.8
-1.5	11.8	12.9*	6.2	8.3*	3.9	6.1*			2.8	3.2*	7.3
-3.0	11.7	13.4*	5.9	8.2*	3.8	4.6*			3.4	3.4*	6.4
-4.5	8.7*	8.7*							7.0*	7.0*	3.4

Height Can be slewed through 360° In longitudinal position of undercarriage Max. reach \* Limited by hydr. capacity

The load values are quoted in tons (t) at stick end (without bucket), and may be swung 360° on firm and even ground. Adjacent values are valid for the undercarriage when in the longitudinal position. Capacities are valid for 600 mm wide track pads with adjusting cylinder in optimal position. Indicated loads are based on ISO 10567 standard and do not exceed 75% of tipping or 87% of hydraulic capacity (indicated via \*). Without bucket cylinder, link and lever the lift capacities will increase by 230 kg. Lifting capacity of the excavator is limited by machine stability and hydraulic capacity. According to European Standard, EN 474-5: In the European Union excavators have to be equipped with an overload warning device, a load diagram and automatic safety check valves on hoist cylinders and stick cylinder(s), when they are used for lifting operations which require the use of lifting accessories.

Determine maximum load lift from load lift chart displayed in the operator's cab or from load lift chart detailed in the operator's manual supplied with the machine.

<sup>1)</sup> Values are calculated with 500 mm wide track pads for the NLC-Undercarriage

# Lift capacities

with mono boom offset 4.90 m, counterweight 3.9 t and track pads 500 mm / 600 mm

## Stick 2.25 m

Under-carriage m	3.0 m		4.5 m		6.0 m		7.5 m		m
7.5									3.4* 3.4*
6.0									2.9* 2.9*
4.5	7.1*	7.1*	5.1	5.2*					2.6 2.7*
3.0	8.2	10.3*	4.5	6.7*	3.0	5.0*			2.3 2.8*
1.5			4.1	7.6*	2.7	5.0			2.1 3.0*
0	6.9	6.9*	3.8	7.5	2.6	4.8			2.1 3.4*
-1.5	7.0	10.5*	3.8	7.4	2.6	4.8			2.4 4.3*
-3.0	7.2	8.1*	3.9	5.9*					3.1 4.6*
7.5									3.4* 3.4*
6.0									2.9* 2.9*
4.5	7.1*	7.1*	5.2*	5.2*					2.7* 2.7*
3.0	8.8	10.3*	4.8	6.7*	3.3	5.0*			2.5 2.8*
1.5			4.4	7.6*	3.0	5.0			2.3 3.0*
0	6.9*	6.9*	4.2	7.6	2.8	4.9			2.4 3.4*
-1.5	7.6	10.5*	4.1	7.4*	2.8	4.9			2.6 4.3*
-3.0	7.8	8.1*	4.2	5.9*					3.4 4.6*
7.5									3.4* 3.4*
6.0									2.9* 2.9*
4.5	7.1*	7.1*	5.2*	5.2*					2.7* 2.7*
3.0	9.3	10.3*	5.5	5.7*	3.4	5.0*			2.6 2.8*
1.5			4.7	7.6*	3.1	5.7*			2.4 3.0*
0	6.9*	6.9*	4.4	7.9*	3.0	5.8*			2.5 3.4*
-1.5	8.1	10.5*	4.4	7.4*	3.0	5.4*			2.8 4.3*
-3.0	8.1*	8.1*	4.5	5.9*					3.6 4.6*
7.5									3.4* 3.4*
6.0									2.9* 2.9*
4.5	7.1*	7.1*	5.2*	5.2*					2.7* 2.7*
3.0	9.9	10.3*	5.1	6.7*	3.3	5.3*			2.6 2.8*
1.5			4.8	7.6*	3.2	5.0			2.5 3.0*
0	6.9*	6.9*	4.6	7.6	3.1	4.9			2.5 3.4*
-1.5	8.6	10.5*	4.5	7.4*	3.1	4.9			2.8 4.3*
-3.0	8.1*	8.1*	4.6	5.9*					3.7 4.6*
7.5									3.4* 3.4*
6.0									2.9* 2.9*
4.5	7.1*	7.1*	5.2*	5.2*					2.7* 2.7*
3.0	10.3*	10.3*	5.7	6.7*	3.7	5.3*			2.8* 2.8*
1.5			5.3	7.6*	3.5	5.1			2.7 3.0*
0	6.9*	6.9*	5.0	7.8	3.4	5.0			2.8 3.4*
-1.5	9.4	10.5*	5.0	7.4*	3.4	5.0			3.1 4.3*
-3.0	8.1*	8.1*	5.1	5.9*					4.1 4.6*
7.5									3.4* 3.4*
6.0									2.9* 2.9*
4.5	7.1*	7.1*	5.2*	5.2*					2.7* 2.7*
3.0	10.3*	10.3*	6.1	6.7*	3.9	5.3*			2.8* 2.8*
1.5			5.6	7.6*	3.7	5.7*			2.9 3.0*
0	6.9*	6.9*	5.4	7.9*	3.6	5.8*			3.0 3.4*
-1.5	10.2	10.5*	5.3	7.4*	3.6	5.4*			3.3 4.3*
-3.0	8.1*	8.1*	5.4	5.9*					4.3 4.6*

## Stick 2.45 m

Under-carriage m	3.0 m		4.5 m		6.0 m		7.5 m		m
7.5									3.0* 3.0*
6.0									2.6* 2.6*
4.5	6.7*	6.7*	4.9	4.9*					2.5* 2.5*
3.0	8.4	9.8*	4.5	6.5*	2.9	5.2			2.2 2.5*
1.5			4.1	7.5*	2.7	5.0			2.0 2.7*
0	6.8	7.2*	3.8	7.5	2.6	4.8			2.0 3.0*
-1.5	6.9	10.8*	3.7	7.4	2.5	4.7			2.3 3.8*
-3.0	7.1	8.6*	3.8	6.1*					2.9 4.6*
7.5									3.0* 3.0*
6.0									2.6* 2.6*
4.5	6.7*	6.7*	4.9	4.9*					2.5* 2.5*
3.0	9.0	9.8*	4.9	6.5*	3.2	5.2*			2.4 2.5*
1.5			4.4	7.5*	3.0	5.0			2.2 2.7*
0	7.2*	7.2*	4.2	7.6	2.8	4.9			2.3 3.0*
-1.5	7.5	10.8*	4.1	7.5	2.8	4.8			2.5 3.8*
-3.0	7.7	8.6*	4.2	6.1*					3.2 4.6*
7.5									3.0* 3.0*
6.0									2.6* 2.6*
4.5	6.7*	6.7*	4.9	4.9*					2.5* 2.5*
3.0	9.5	9.8*	5.4*	5.4*	3.5	5.2*			2.5 2.5*
1.5			4.7	7.5*	3.1	5.6*			2.3 2.7*
0	7.2*	7.2*	4.4	7.9*	3.0	5.8*			2.4 3.0*
-1.5	8.0	10.8*	4.3	7.5*	2.9	5.4*			2.6 3.8*
-3.0	8.2	8.6*	4.4	6.1*					3.3 4.6*
7.5									3.0* 3.0*
6.0									2.6* 2.6*
4.5	6.7*	6.7*	4.9	4.9*					2.5* 2.5*
3.0	9.8*	9.8*	5.3	6.5*	3.4	5.2*			2.5* 2.5*
1.5			4.8	7.5*	3.2	5.0			2.4 2.7*
0	7.2*	7.2*	4.6	7.6	3.1	4.9			2.4 3.0*
-1.5	8.5	10.8*	4.5	7.5	3.0	4.8			2.7 3.8*
-3.0	8.6*	8.6*	4.6	6.1*					3.4 4.6*
7.5									3.0* 3.0*
6.0									2.6* 2.6*
4.5	6.7*	6.7*	4.9	4.9*					2.5* 2.5*
3.0	9.8*	9.8*	5.7	6.5*	3.7	5.2*			2.5* 2.5*
1.5			5.3	7.5*	3.5	5.1			2.6 2.7*
0	7.2*	7.2*	5.0	7.8	3.4	5.0			2.7 3.0*
-1.5	9.3	10.8*	4.9	7.5*	3.3	4.9			3.0 3.8*
-3.0	8.6*	8.6*	5.0	6.1*					3.8 4.6*
7.5									3.0* 3.0*
6.0									2.6* 2.6*
4.5	6.7*	6.7*	4.9	4.9*					2.5* 2.5*
3.0	9.8*	9.8*	6.1	6.5*	3.9	5.2*			2.5* 2.5*
1.5			5.6	7.5*	3.7	5.6*			2.7* 2.7*
0	7.2*	7.2*	5.4	7.9*	3.6	5.8*			2.9 3.0*
-1.5	10.1	10.8*	5.3	7.5*	3.5	5.4*			3.2 3.8*
-3.0	8.6*	8.6*	5.4	6.1*					4.0 4.6*

Height Can be slewed through 360° In longitudinal position of undercarriage Max. reach \* Limited by hydr. capacity

The load values are quoted in tons (t) at stick end (without bucket), and may be swung 360° on firm and even ground. Adjacent values are valid for the undercarriage when in the longitudinal position. Capacities are valid for 600 mm wide track pads. Indicated loads are based on ISO 10567 standard and do not exceed 75% of tipping or 87% of hydraulic capacity (indicated via \*). Without bucket cylinder, link and lever the lift capacities will increase by 230 kg. Lifting capacity of the excavator is limited by machine stability and hydraulic capacity.

According to European Standard, EN 474-5: In the European Union excavators have to be equipped with an overload warning device, a load diagram and automatic safety check valves on hoist cylinders and stick cylinder(s), when they are used for lifting operations which require the use of lifting accessories.

Determine maximum load lift from load lift chart displayed in the operator's cab or from load lift chart detailed in the operator's manual supplied with the machine.

<sup>1)</sup> Values are calculated with 500 mm wide track pads for the NLC-Undercarriage

## Stick 2.65 m

Under-carriage m	3.0 m		4.5 m		6.0 m		7.5 m		m		
7.5			2.7*	2.7*					2.7*	2.7*	4.5
6.0			4.7*	4.7*	2.4*	2.4*			2.3*	2.3*	6.0
4.5			5.0	5.2*	3.1	4.7*			2.2*	2.2*	6.9
NLC <sup>U</sup> 3.0	8.5	9.2*	4.6	6.3*	2.9	5.1*			2.1	2.3*	7.3
1.5	7.2*	7.2*	4.1	7.4*	2.7	5.0			1.9	2.4*	7.5
0	6.8	7.4*	3.8	7.5	2.6	4.8			1.9	2.7*	7.3
-1.5	6.8	10.7*	3.7	7.3	2.5	4.7			2.1	3.4*	6.8
-3.0	7.0	9.0*	3.8	6.4*					2.7	4.5*	5.8
NLC <sup>U</sup> Blade up			2.7*	2.7*					2.7*	2.7*	4.5
6.0			4.7*	4.7*	2.4*	2.4*			2.3*	2.3*	6.0
4.5			5.2*	5.2*	3.3	4.7*			2.2*	2.2*	6.9
3.0	9.2	9.2*	4.9	6.3*	3.2	5.1*			2.3	2.3*	7.3
1.5	7.2*	7.2*	4.5	7.4*	3.0	5.0			2.1	2.4*	7.5
0	7.4*	7.4*	4.2	7.6	2.8	4.9			2.1	2.7*	7.3
-1.5	7.4	10.7*	4.1	7.5	2.8	4.8			2.4	3.4*	6.8
-3.0	7.6	9.0*	4.1	6.4*					3.0	4.5*	5.8
NLC <sup>U</sup> Blade down			2.7*	2.7*					2.7*	2.7*	4.5
6.0			4.7*	4.7*	2.4*	2.4*			2.3*	2.3*	6.0
4.5			5.2*	5.2*	3.5	4.7*			2.2*	2.2*	6.9
3.0	9.2*	9.2*	5.2	6.3*	3.3	5.1*			2.3*	2.3*	7.3
1.5	7.2*	7.2*	4.7	7.4*	3.1	5.5*			2.2	2.4*	7.5
0	7.4*	7.4*	4.4	7.9*	3.0	5.8*			2.3	2.7*	7.3
-1.5	7.9	10.7*	4.3	7.6*	2.9	5.5*			2.5	3.4*	6.8
-3.0	8.1	9.0*	4.4	6.4*					3.1	4.5*	5.8
LC			2.7*	2.7*					2.7*	2.7*	4.5
6.0			4.7*	4.7*	2.4*	2.4*			2.3*	2.3*	6.0
4.5			5.2*	5.2*	3.6	4.7*			2.2*	2.2*	6.9
3.0	9.2*	9.2*	5.3	6.3*	3.4	5.1*			2.3*	2.3*	7.3
1.5	7.2*	7.2*	4.9	7.4*	3.2	5.0			2.3	2.4*	7.5
0	7.4*	7.4*	4.5	7.6	3.0	4.9			2.3	2.7*	7.3
-1.5	8.4	10.7*	4.4	7.5	3.0	4.8			2.6	3.4*	6.8
-3.0	8.6	9.0*	4.5	6.4*					3.2	4.5*	5.8
LC Blade up			2.7*	2.7*					2.7*	2.7*	4.5
6.0			4.7*	4.7*	2.4*	2.4*			2.3*	2.3*	6.0
4.5			5.2*	5.2*	3.9	4.7*			2.2*	2.2*	6.9
3.0	9.2*	9.2*	5.8	6.3*	3.7	5.1*			2.3*	2.3*	7.3
1.5	7.2*	7.2*	5.3	7.4*	3.5	5.1			2.4*	2.4*	7.5
0	7.4*	7.4*	5.0	7.7	3.3	5.0			2.6	2.7*	7.3
-1.5	9.2	10.7*	4.9	7.6*	3.3	4.9			2.8	3.4*	6.8
-3.0	9.0*	9.0*	5.0	6.4*					3.5	4.5*	5.8
LC Blade down			2.7*	2.7*					2.7*	2.7*	4.5
6.0			4.7*	4.7*	2.4*	2.4*			2.3*	2.3*	6.0
4.5			5.2*	5.2*	4.1	4.7*			2.2*	2.2*	6.9
3.0	9.2*	9.2*	6.2	6.3*	3.9	5.1*			2.3*	2.3*	7.3
1.5	7.2*	7.2*	5.7	7.4*	3.7	5.5*			2.4*	2.4*	7.5
0	7.4*	7.4*	5.4	7.9*	3.6	5.8*			2.7	2.7*	7.3
-1.5	10.0	10.7*	5.2	7.6*	3.5	5.5*			3.0	3.4*	6.8
-3.0	9.0*	9.0*	5.3	6.4*					3.8	4.5*	5.8

Height Can be slewed through 360° In longitudinal position of undercarriage Max. reach \* Limited by hydr. capacity

The load values are quoted in tons (t) at stick end (without bucket), and may be swung 360° on firm and even ground. Adjacent values are valid for the undercarriage when in the longitudinal position. Capacities are valid for 600 mm wide track pads. Indicated loads are based on ISO 10567 standard and do not exceed 75% of tipping or 87% of hydraulic capacity (indicated via \*). Without bucket cylinder, link and lever the lift capacities will increase by 230 kg. Lifting capacity of the excavator is limited by machine stability and hydraulic capacity.

According to European Standard, EN 474-5: In the European Union excavators have to be equipped with an overload warning device, a load diagram and automatic safety check valves on hoist cylinders and stick cylinder(s), when they are used for lifting operations which require the use of lifting accessories.

Determine maximum load lift from load lift chart displayed in the operator's cab or from load lift chart detailed in the operator's manual supplied with the machine.

<sup>1)</sup> Values are calculated with 500 mm wide track pads for the NLC-Undercarriage

# Lift capacities

with two-piece boom offset 5.00 m, counterweight 3.9 t and track pads 500 mm / 600 mm

## Stick 2.25 m

Under-carriage	3.0 m		4.5 m		6.0 m		7.5 m		m	
	Height	Can be slewed through 360°	Height	Can be slewed through 360°	Height	Can be slewed through 360°	Height	Can be slewed through 360°		
NLC <sup>U</sup>	7.5								3.5* 3.5*	4.3
	6.0								2.9* 2.9*	5.8
	4.5	8.3*	8.3*	5.1	6.3*	3.1	5.3*		2.4 2.7*	6.7
	3.0	8.8	10.5*	5.0	7.1*	3.1	5.3		2.1 2.7*	7.2
	1.5	8.7	11.3*	4.9	7.8	3.0	5.3		2.0 2.9*	7.3
	0	8.7	12.4*	4.7	7.8	2.8	5.1		2.0 3.2*	7.1
	-1.5	8.3	12.7*	4.4	8.2	2.7	4.9		2.3 3.8*	6.6
-3.0	8.0	12.4*	4.1	6.8*				3.0 3.8*	5.4	
NLC <sup>U</sup> Blade up	7.5								3.5* 3.5*	4.3
	6.0			5.5	5.8*				2.9* 2.9*	5.8
	4.5	8.3*	8.3*	5.4	6.3*	3.4	5.3*		2.7 2.7*	6.7
	3.0	9.3	10.5*	5.3	7.1*	3.4	5.3		2.3 2.7*	7.2
	1.5	9.2	11.3*	5.2	7.8*	3.3	5.3		2.2 2.9*	7.3
	0	9.4	12.4*	5.1	7.9	3.1	5.2		2.2 3.2*	7.1
	-1.5	8.9	12.7*	4.7	8.2*	2.9	5.0		2.5 3.8*	6.6
-3.0	8.6	12.4*	4.5	6.8*				3.3 3.8*	5.4	
NLC <sup>U</sup> Blade down	7.5								3.5* 3.5*	4.3
	6.0			5.7	5.8*				2.9* 2.9*	5.8
	4.5	8.3*	8.3*	5.6	6.3*	3.5	5.3*		2.7* 2.7*	6.7
	3.0	9.7	10.5*	5.5	7.1*	3.5	5.5*		2.4 2.7*	7.2
	1.5	9.6	11.3*	5.4	7.8*	3.4	5.8*		2.3 2.9*	7.3
	0	9.8*	12.4*	5.3	7.9*	3.2	5.9*		2.3 3.2*	7.1
	-1.5	9.4	12.7*	5.0	8.2*	3.1	5.5*		2.6 3.8*	6.6
-3.0	9.1	12.4*	4.7	6.8*				3.5 3.8*	5.4	
LC	7.5								3.5* 3.5*	4.3
	6.0								2.9* 2.9*	5.8
	4.5	8.3*	8.3*	5.8	6.3*	3.6	5.3*		2.7* 2.7*	6.7
	3.0	10.1	10.5*	5.6	7.1*	3.6	5.3		2.5 2.7*	7.2
	1.5	10.0	11.3*	5.6	7.8*	3.5	5.3		2.4 2.9*	7.3
	0	10.2	12.4*	5.5	7.9	3.3	5.2		2.4 3.2*	7.1
	-1.5	10.0	12.7*	5.2	8.2*	3.2	5.0		2.7 3.8*	6.6
-3.0	9.7	12.4*	4.9	6.8*				3.6 3.8*	5.4	
LC Blade up	7.5								3.5* 3.5*	4.3
	6.0			5.8*	5.8*				2.9* 2.9*	5.8
	4.5	8.3*	8.3*	6.1	6.3*	3.9	5.3*		2.7* 2.7*	6.7
	3.0	10.5*	10.5*	6.0	7.1*	3.9	5.4		2.6* 2.7*	7.2
	1.5	10.6	11.3*	5.9	7.8*	3.8	5.4		2.7 2.9*	7.3
	0	10.8	12.4*	6.0	7.9*	3.6	5.3		2.7 3.2*	7.1
	-1.5	10.8	12.7*	5.6	8.2*	3.5	5.1		3.0 3.8*	6.6
-3.0	10.5	12.4*	5.3	6.8*				3.8* 3.8*	5.4	
LC Blade down	7.5								3.5* 3.5*	4.3
	6.0			5.8*	5.8*				2.9* 2.9*	5.8
	4.5	8.3*	8.3*	6.3*	6.3*	4.2	5.3*		2.7* 2.7*	6.7
	3.0	10.5*	10.5*	6.3	7.1*	4.2	5.5*		2.7* 2.7*	7.2
	1.5	11.2	11.3*	6.2	7.8*	4.0	5.8*		2.8 2.9*	7.3
	0	11.4	12.4*	6.4	7.9*	3.9	5.9*		2.8 3.2*	7.1
	-1.5	11.7	12.7*	6.0	8.2*	3.7	5.5*		3.2 3.8*	6.6
-3.0	11.4	12.4*	5.7	6.8*				3.8* 3.8*	5.4	

## Stick 2.45 m

Under-carriage	3.0 m		4.5 m		6.0 m		7.5 m		m	
	Height	Can be slewed through 360°	Height	Can be slewed through 360°	Height	Can be slewed through 360°	Height	Can be slewed through 360°		
NLC <sup>U</sup>	7.5								3.1* 3.1*	4.6
	6.0								2.6* 2.6*	6.1
	4.5	7.1*	7.1*	5.1	6.1*	3.2	5.1*		2.3 2.5*	6.9
	3.0	8.8	10.5*	5.0	7.0*	3.2	5.2		2.0 2.5*	7.4
	1.5	8.6	11.2*	4.9	7.7*	3.1	5.2	1.9 2.8*	1.9 2.6*	7.5
	0	8.8	12.3*	4.8	7.8	2.9	5.1		1.9 2.9*	7.3
	-1.5	8.3	12.6*	4.4	8.1*	2.7	4.9		2.1 3.4*	6.8
-3.0	8.0	12.8*	4.1	7.3*				2.7 3.5*	5.8	
NLC <sup>U</sup> Blade up	7.5								3.1* 3.1*	4.6
	6.0			5.5	5.6*	3.2*	3.2*		2.6* 2.6*	6.1
	4.5	7.1*	7.1*	5.4	6.1*	3.4	5.1*		2.5* 2.5*	6.9
	3.0	9.3	10.5*	5.3	7.0*	3.4	5.3		2.2 2.5*	7.4
	1.5	9.1*	11.2*	5.2	7.7*	3.3	5.3	2.1 2.8*	2.1 2.6*	7.5
	0	9.3	12.3*	5.1	7.8	3.1	5.2		2.1 2.9*	7.3
	-1.5	8.9	12.6*	4.8	8.1*	2.9	5.0		2.3 3.4*	6.8
-3.0	8.7	12.8*	4.5	7.3*				3.0 3.5*	5.8	
NLC <sup>U</sup> Blade down	7.5								3.1* 3.1*	4.6
	6.0			5.6*	5.6*	3.2*	3.2*		2.6* 2.6*	6.1
	4.5	7.1*	7.1*	5.6	6.1*	3.6	5.1*		2.5* 2.5*	6.9
	3.0	9.7	10.5*	5.5	7.0*	3.6	5.4*		2.3 2.5*	7.4
	1.5	9.5	11.2*	5.4	7.7*	3.5	5.7*	2.2 2.8*	2.2 2.6*	7.5
	0	9.7	12.3*	5.4	7.9*	3.3	5.8*		2.2 2.9*	7.3
	-1.5	9.4	12.6*	5.0	8.1*	3.1	5.7*		2.5 3.4*	6.8
-3.0	9.2	12.8*	4.7	7.3*				3.1 3.5*	5.8	
LC	7.5								3.1* 3.1*	4.6
	6.0								2.6* 2.6*	6.1
	4.5	7.1*	7.1*	5.8	6.1*	3.7	5.1*		2.5* 2.5*	6.9
	3.0	10.1	10.5*	5.6	7.0*	3.7	5.3		2.4 2.5*	7.4
	1.5	9.9	11.2*	5.6	7.7*	3.6	5.3	2.3 2.8*	2.3 2.6*	7.5
	0	10.1	12.3*	5.6	7.8	3.4	5.2		2.3 2.9*	7.3
	-1.5	10.0	12.6*	5.2	8.1*	3.2	5.0		2.5 3.4*	6.8
-3.0	9.7	12.8*	4.9	7.3*				3.2 3.5*	5.8	
LC Blade up	7.5								3.1* 3.1*	4.6
	6.0			5.6*	5.6*	3.2*	3.2*		2.6* 2.6*	6.1
	4.5	7.1*	7.1*	6.1*	6.1*	4.0	5.1*		2.5* 2.5*	6.9
	3.0	10.5*	10.5*	6.0	7.0*	4.0	5.4		2.5* 2.5*	7.4
	1.5	10.5	11.2*	5.9	7.7*	3.8	5.4	2.5 2.8*	2.5 2.6*	7.5
	0	10.7	12.3*	6.0	7.9*	3.7	5.3		2.5 2.9*	7.3
	-1.5	10.8	12.6*	5.6	8.1*	3.5	5.1		2.8 3.4*	6.8
-3.0	10.5	12.8*	5.3	7.3*				3.5* 3.5*	5.8	
LC Blade down	7.5								3.1* 3.1*	4.6
	6.0			5.6*	5.6*	3.2*	3.2*		2.6* 2.6*	6.1
	4.5	7.1*	7.1*	6.1*	6.1*	4.2	5.1*		2.5* 2.5*	6.9
	3.0	10.5*	10.5*	6.3	7.0*	4.2	5.4*		2.5* 2.5*	7.4
	1.5	11.1	11.2*	6.2	7.7*	4.1	5.7*	2.7 2.8*	2.6* 2.6*	7.5
	0	11.3	12.3*	6.3	7.9*	3.9	5.8*		2.7 2.9*	7.3
	-1.5	11.7	12.6*	6.0	8.1*	3.7	5.7*		3.0 3.4*	6.8
-3.0	11.4	12.8*	5.7	7.3*				3.5* 3.5*	5.8	

Height Can be slewed through 360° In longitudinal position of undercarriage Max. reach \* Limited by hydr. capacity

The load values are quoted in tons (t) at stick end (without bucket), and may be swung 360° on firm and even ground. Adjacent values are valid for the undercarriage when in the longitudinal position. Capacities are valid for 600 mm wide track pads with adjusting cylinder in optimal position. Indicated loads are based on ISO 10567 standard and do not exceed 75% of tipping or 87% of hydraulic capacity (indicated via \*). Without bucket cylinder, link and lever the lift capacities will increase by 230 kg. Lifting capacity of the excavator is limited by machine stability and hydraulic capacity.

According to European Standard, EN 474-5: In the European Union excavators have to be equipped with an overload warning device, a load diagram and automatic safety check valves on hoist cylinders and stick cylinder(s), when they are used for lifting operations which require the use of lifting accessories.

Determine maximum load lift from load lift chart displayed in the operator's cab or from load lift chart detailed in the operator's manual supplied with the machine.

<sup>1)</sup> Values are calculated with 500 mm wide track pads for the NLC-Undercarriage

## Stick 2.65 m

Under-carriage m	3.0 m		4.5 m		6.0 m		7.5 m		Max. reach		m
7.5			4.2*	4.2*					2.8*	2.8*	4.9
6.0			5.2	5.4*	3.1	3.8*			2.4*	2.4*	6.3
4.5	6.0*	6.0*	5.1	5.9*	3.2	5.0*			2.2	2.3*	7.1
NLC <sup>1)</sup> 3.0	8.9	10.3*	4.9	6.8*	3.2	5.2	2.0	2.9*	1.9	2.2*	7.6
1.5	8.6	11.2*	4.9	7.6*	3.1	5.2	1.9	3.5	1.8	2.3*	7.7
0	8.7	12.1*	4.8	7.7	2.9	5.1	1.8	2.9*	1.8	2.6*	7.5
-1.5	8.3	12.5*	4.5	8.0	2.7	4.9			2.0	3.0*	7.0
-3.0	8.1	13.1*	4.1	7.7*	2.6	3.7*			2.5	3.4*	6.1
NLC <sup>1)</sup> Blade up			4.2*	4.2*					2.8*	2.8*	4.9
7.5			5.4*	5.4*	3.4	3.8*			2.4*	2.4*	6.3
6.0	6.0*	6.0*	5.4	5.9*	3.5	5.0*			2.3*	2.3*	7.1
4.5	9.4	10.3*	5.2	6.8*	3.5	5.3	2.2	2.9*	2.1	2.2*	7.6
NLC <sup>1)</sup> 3.0	9.1	11.2*	5.2	7.6*	3.3	5.3	2.1	3.6	2.0	2.3*	7.7
1.5	9.2	12.1*	5.1	7.8	3.2	5.2	2.0	2.9*	2.0	2.6*	7.5
0	8.9	12.5*	4.9	8.0	2.9	5.0			2.2	3.0*	7.0
-1.5	8.9	12.5*	4.9	8.0	2.9	5.0			2.2	3.0*	7.0
-3.0	8.7	13.1*	4.5	7.7*	2.8	3.7*			2.8	3.4*	6.1
NLC <sup>1)</sup> Blade down			4.2*	4.2*					2.8*	2.8*	4.9
7.5			5.4*	5.4*	3.5	3.8*			2.4*	2.4*	6.3
6.0	6.0*	6.0*	5.6	5.9*	3.6	5.0*			2.3*	2.3*	7.1
4.5	9.8	10.3*	5.4	6.8*	3.6	5.3*	2.3	2.9*	2.2	2.2*	7.6
NLC <sup>1)</sup> 3.0	9.5	11.2*	5.4	7.6*	3.5	5.6*	2.2	4.0*	2.1	2.3*	7.7
1.5	9.6	12.1*	5.4	7.8*	3.3	5.7*	2.1	2.9*	2.1	2.6*	7.5
0	9.4	12.5*	5.1	8.0*	3.1	5.8*			2.3	3.0*	7.0
-1.5	9.4	12.5*	5.1	8.0*	3.1	5.8*			2.3	3.0*	7.0
-3.0	9.2	13.1*	4.7	7.7*	3.0	3.7*			2.9	3.4*	6.1
LC			4.2*	4.2*					2.8*	2.8*	4.9
7.5			5.4*	5.4*	3.6	3.8*			2.4*	2.4*	6.3
6.0	6.0*	6.0*	5.8	5.9*	3.7	5.0*			2.3*	2.3*	7.1
4.5	10.2	10.3*	5.6	6.8*	3.7	5.3	2.3	2.9*	2.2*	2.2*	7.6
LC 3.0	9.9	11.2*	5.5	7.6*	3.6	5.3	2.3	3.6	2.2	2.3*	7.7
1.5	10.0	12.1*	5.6	7.8	3.4	5.2	2.2	2.9*	2.2	2.6*	7.5
0	10.0	12.5*	5.3	8.0	3.2	5.0			2.4	3.0*	7.0
-1.5	9.8	13.1*	4.9	7.7*	3.1	3.7*			3.0	3.4*	6.1
-3.0	9.8	13.1*	4.9	7.7*	3.1	3.7*			3.0	3.4*	6.1
LC Blade up			4.2*	4.2*					2.8*	2.8*	4.9
7.5			5.4*	5.4*	3.8*	3.8*			2.4*	2.4*	6.3
6.0	6.0*	6.0*	5.9*	5.9*	4.0	5.0*			2.3*	2.3*	7.1
4.5	10.3*	10.3*	6.0	6.8*	4.0	5.3*	2.6	2.9*	2.2*	2.2*	7.6
LC 3.0	10.5	11.2*	5.9	7.6*	3.9	5.3	2.5	3.7	2.3*	2.3*	7.7
1.5	10.6	12.1*	6.0	7.8*	3.7	5.3	2.4	2.9*	2.4	2.6*	7.5
0	10.8	12.5*	5.7	8.0*	3.5	5.1			2.7	3.0*	7.0
-1.5	10.8	12.5*	5.7	8.0*	3.5	5.1			2.7	3.0*	7.0
-3.0	10.6	13.1*	5.3	7.7*	3.4	3.7*			3.3	3.4*	6.1
LC Blade down			4.2*	4.2*					2.8*	2.8*	4.9
7.5			5.4*	5.4*	3.8*	3.8*			2.4*	2.4*	6.3
6.0	6.0*	6.0*	5.9*	5.9*	4.2	5.0*			2.3*	2.3*	7.1
4.5	10.3*	10.3*	6.3	6.8*	4.2	5.3*	2.7	2.9*	2.2*	2.2*	7.6
LC 3.0	10.3*	10.3*	6.3	6.8*	4.2	5.3*	2.7	2.9*	2.2*	2.2*	7.6
1.5	11.1	11.2*	6.2	7.6*	4.1	5.6*	2.7	4.0*	2.3*	2.3*	7.7
0	11.2	12.1*	6.2	7.8*	3.9	5.7*	2.6	2.9*	2.6*	2.6*	7.5
-1.5	11.7	12.5*	6.1	8.0*	3.7	5.8*			2.8	3.0*	7.0
-3.0	11.5	13.1*	5.7	7.7*	3.6	3.7*			3.4*	3.4*	6.1

Height Can be slewed through 360° In longitudinal position of undercarriage Max. reach \* Limited by hydr. capacity

The load values are quoted in tons (t) at stick end (without bucket), and may be swung 360° on firm and even ground. Adjacent values are valid for the undercarriage when in the longitudinal position. Capacities are valid for 600 mm wide track pads with adjusting cylinder in optimal position. Indicated loads are based on ISO 10567 standard and do not exceed 75% of tipping or 87% of hydraulic capacity (indicated via \*). Without bucket cylinder, link and lever the lift capacities will increase by 230 kg. Lifting capacity of the excavator is limited by machine stability and hydraulic capacity.

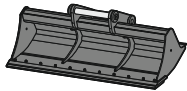
According to European Standard, EN 474-5: In the European Union excavators have to be equipped with an overload warning device, a load diagram and automatic safety check valves on hoist cylinders and stick cylinder(s), when they are used for lifting operations which require the use of lifting accessories.

Determine maximum load lift from load lift chart displayed in the operator's cab or from load lift chart detailed in the operator's manual supplied with the machine.

<sup>1)</sup> Values are calculated with 500 mm wide track pads for the NLC-Undercarriage



# Attachments



## Rigid ditch cleaning bucket

### GRL 02, for direct mounting

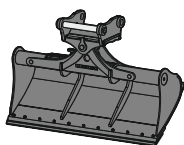
Cutting width	mm	1,500	2,000	2,000
Capacity	m <sup>3</sup>	0.35	0.48	0.65
Weight	kg	275	350	390

### GRL 02, for mounting to quick coupler SWA 33

Cutting width	mm	1,500	2,000	2,000
Capacity	m <sup>3</sup>	0.50	0.48	0.65
Weight	kg	360	350	390

### GRL 02, for mounting to quick coupler SWA 48

Cutting width	mm	1,500	1,500	2,000	2,400	2,400
Capacity	m <sup>3</sup>	0.50	0.95	0.70	0.85	1.15
Weight	kg	430	560	400	600	650



## Tiltable ditch cleaning bucket

### GRL 90, 2 x 50° tiltable, for direct mounting

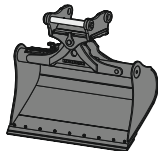
Cutting width	mm	1,600	1,600	2,000	2,000	2,200	2,400
Capacity	m <sup>3</sup>	0.55	0.80	0.50	0.70	0.80	0.85
Weight	kg	640	770	650	790	800	850

### GRL 90, 2 x 50° tiltable, for mounting to quick coupler SWA 33

Cutting width	mm	1,600	1,600	2,000	2,000	2,000	2,200
Capacity	m <sup>3</sup>	0.55	0.80	0.50	0.70	1.00	0.80
Weight	kg	650	770	660	780	880	800

### GRL 90, 2 x 50° tiltable, for mounting to quick coupler SWA 48

Cutting width	mm	1,600	1,600	2,000	2,000	2,000	2,200	2,400
Capacity	m <sup>3</sup>	0.55	0.80	0.50	0.70	1.00	0.80	0.85
Weight	kg	730	850	740	870	940	870	930



## Tilt bucket

### SL 90, 2 x 50° tiltable, for direct mounting

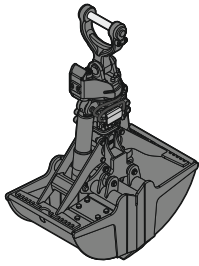
Cutting width	mm	1,500	1,600
Capacity	m <sup>3</sup>	0.60	0.80
Weight	kg	650	740

### SL 90, 2 x 50° tiltable, for mounting to quick coupler SWA 33

Cutting width	mm	1,500	1,600	1,600
Capacity	m <sup>3</sup>	0.60	0.80	1.00
Weight	kg	660	740	740

### SL 90, 2 x 50° tiltable, for mounting to quick coupler SWA 48

Cutting width	mm	1,500	1,600	1,600	1,600	1,600
Capacity	m <sup>3</sup>	1.20	0.80	0.60	1.00	1.00
Weight	kg	870	820	950	870	1,000
HD version		X		X		X



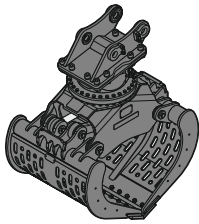
### Clamshell grab

#### GMZ 22, clamshell buckets, for mounting to quick coupler SWA 33

Cutting width	mm	600	800	1,000
Capacity	m <sup>3</sup>	0.30	0.42	0.54
Weight	kg	860	930	1,000

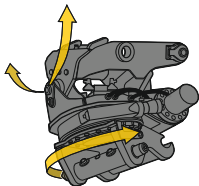
#### GMZ 24, clamshell buckets, for mounting to quick coupler SWA 48

Cutting width	mm	600	800	1,000
Capacity	m <sup>3</sup>	0.34	0.46	0.60
Weight	kg	890	970	1,040



### Sorting grab

		ribbed		perforated		closed		stone tong	
<b>SG 20B, for mounting to quick coupler SWA 33</b>									
Cutting width	mm		800	1,000	1,200	800	1,000	1,200	
Capacity	m <sup>3</sup>		0.40	0.50	0.60	0.40	0.50	0.60	
Weight	kg		750	795	840	765	810	850	
<b>SG 20B, for mounting to quick coupler SWA 48</b>									
Cutting width	mm		800	1,000	1,200	800	1,000	1,200	
Capacity	m <sup>3</sup>		0.40	0.50	0.60	0.40	0.50	0.60	
Weight	kg		750	795	840	765	810	850	
<b>SG 25, for mounting to quick coupler SWA 33</b>									
Cutting width	mm	800	1,000	1,200	800	1,000	1,200	800	
Capacity	m <sup>3</sup>	0.50	0.65	0.80	0.55	0.75	0.90	0.55	
Weight	kg	1,225	1,310	1,400	1,180	1,245	1,310	1,200	
<b>SG 25, for mounting to quick coupler SWA 48</b>									
Cutting width	mm	800	1,000	1,200	800	1,000	1,200	800	
Capacity	m <sup>3</sup>	0.50	0.65	0.80	0.55	0.75	0.90	0.55	
Weight	kg	1,225	1,310	1,400	1,180	1,245	1,310	1,200	



### Tiltrotator

#### LH-TR 20, for mounting to quick coupler SWA 33

Weight	kg	470
Rotation		360°
Tilt		2 x 50°

# Serial equipment

## Undercarriage

Lashing eyes  
Sprocket double-toothed  
Track and carrier rollers, sealed and lifetime-lubricated

## Uppercarriage

Anti-skid surfaces  
Centralised lubrication system (automatic)  
Engine hood with gas spring opening  
Filters accessible from ground level  
Front right rearview mirrors  
Handrails  
Hydraulic oil level, visible from ground level  
Lockable fuel tank cap  
Lockable service doors  
Lockable storage box  
Main switch, manual, lockable  
Protection grid on radiator fan  
Sound insulation  
Swing drive gearbox oil level, visible from the cab  
Swing-out fan  
Windshield washer fluid tank

## Hydraulic system

Filter with integrated fine filters  
Hydraulic pressure measuring ports  
Hydraulic tank shut-off valve  
Liebherr Synchron Comfort System (LSC)  
Magnetic rod  
Pressure accumulator for controlled lowering of equipment with engine turned off

## Engine

Air filter with automatic dust ejector  
Automatic engine idling / speed increase, controlled via joystick sensors  
Common-Rail injection system  
Exhaust gas after-treatment system – DOC + SCR Filter  
Fixed geometry turbocharger  
Fuel fine filter  
Fuel pre-filter and water separator  
Fuel priming pump  
Intercooler  
Power Pack EU Stage V  
Stepless adjustable engine speed

## Cab

7" multifunction colour touchscreen  
Air conditioning, automatic, tri-zone, controlled via display  
Armrests adjustable in length, height and inclination  
Bottle holder  
Cab air filters housing, accessible from ground level  
Cab door sliding windows  
Coat hook  
DEF consumption on touchscreen  
DEF level on touchscreen  
Electric socket in cabin (12 V)  
Electric socket in cabin (24 V)  
Emergency hammer  
Fuel consumption on touchscreen  
Fuel level on touchscreen  
Impact resistant roof window  
Interior lighting  
Laminated right hand side window  
LiDAT Plus (Liebherr data transfer system)\*  
Mechanical hour meters, visible from ground level  
Rain hood over front window opening  
Rearview mirror  
Rear view monitoring camera  
Rear window emergency exit  
Roll-down sun blinds for windscreen and roof window  
ROPS safety cab structure (ISO 12117-2)  
Rubber floor mat, fixed on floor and removable  
Shortcut button on joystick configurable  
Storage nets  
Storage spaces  
Tilttable console left  
Tinted windows  
Visco-elastic damping  
Windscreen wiper and washer  
Work mode selector

## Equipment

Boom cylinders regeneration  
Pipe fracture safety valve for stick cylinder  
Pipe fracture safety valves for boom cylinders  
SAE split flanges on high pressure lines  
Stick cylinder regeneration

\* optionally extendable after one year

# Equipment standard / option

## Undercarriage

Chain guide 1 piece	●
Chain guide 3 pieces	+
Dozer and stabilizer blade 2,500 mm	+
Dozer and stabilizer blade 2,600 mm	+
Dozer and stabilizer blade 2,850 mm	+
Dozer and stabilizer blade 3,000 mm	+
Reinforced cover and base plate for undercarriage centre section	+
Rubber track pads 600 mm	+
Special painting	+
Standard cover plate for undercarriage centre section	●
Steps	●
Steps wide	+
Track pads triple grouser 500 / 700 / 900 mm	+
Track pads triple grouser 600 mm	●
Tracks, sealed and greased	●
Undercarriage LC	+
Undercarriage NLC	+
Undercarriage storage compartment	+

## Upper-carriage

Air pre-filter with cyclonical dust trap	+
Counterweight standard 3.9 t	●
Electric socket on uppercarriage (24 V)	+
Extended tool set including tool box	+
Flashing beacon on uppercarriage, rear, LED, 1 piece	+
Fuel anti-theft protection	+
Headlight on uppercarriage, lateral right, LED+, 1 piece	+D
Headlights on uppercarriage, front, halogen, 2 pieces, protections included	●D
Headlights on uppercarriage, front, LED+, 2 pieces, protections included	+D
Headlights on uppercarriage, rear, LED+, 2 pieces	+D
Pre-heating system for fuel	+
Reflective warning stickers	+
Reversible fan drive	+
Skyview 360°	+
Special painting	+
Tank refilling pump fuel	+
Tool set including storage case	●

## Hydraulic system

Bypass filter for hydraulic oil	+
Liebherr hydraulic oil	●
Liebherr hydraulic oil, adapted for extreme climate conditions	+
Liebherr hydraulic oil, biodegradable	+

## Engine

Automatic engine shutdown after idling	+
--	---

# Equipment standard / option

## Cab

2" seat belt with retractor	●
3" seat belt with retractor, orange colour	+
4-points seat belt	+
Acoustic travel alarm deactivatable	+
Attachment continuous operation system	+
Auxiliary heater programmable	+
Bottom windscreen wiper	+
Cool box (12 V)	+
Dark tinted windows	+
Electronic immobiliser	+
Emergency stop in cab	+
FGPS front guard	+
Filter for hydraulic hammer return flow	+
Fire extinguisher	+
First-aid box	+
Flashing beacon on cabin, LED, 1 piece	+
Footrest	+
FOPS top guard	+
Handrests elevated for joysticks	+
Headlights on cab, front, halogen, 2 pieces	● <sup>1)</sup>
Headlights on cab, front, LED+, 2 pieces	+ <sup>1)</sup>
Headlights on cab roof, front, LED+, 2 pieces	+ <sup>1)</sup>
High pressure circuit switchable on pedals or mini-joystick	+
High pressure circuit with Tool Control (20 attachment adjustments on display)	+
Impact resistant one-piece windscreen	+
Lightbar on cabin	+
Medium pressure circuit	+
Mini-joysticks proportional	+
Movement restriction for stick	+
Operator seat Comfort	●
Operator seat Premium	+
Overload warning system	+
Preparation for machine guidance system	+
Radio Comfort	+
Radio pre-installation	●
Retractable laminated two-piece windscreen	●
Right hand side view monitoring camera	●
Roof sun shield	+
Roof window wiper	+
Special painting	+
Sun visor	+
Switch between high pressure and bucket cylinder controls	+
Windscreen bottom protection grid	+

## Equipment

Bucket cylinder rod protection	+
Centralised lubrication extended for connecting link	+
Centralised lubrication extended for quick coupler	+
Grapple hydraulic lines (bucket cylinder inactive)	+
Headlight guards on boom	+
Headlights on boom, halogen, 2 pieces	● <sup>1)</sup>
Headlights on boom, LED+, 2 pieces	+ <sup>1)</sup>
Headlights on stick, right and left, LED+, 2 pieces, protections included	+ <sup>1)</sup>
Leak oil line for attachment	+
Liebherr bucket range	+
Liebherr tooth system	+
LIKUFIX electric signal plug	+
LIKUFIX for quick coupler SWA 33 hydraulic	+
LIKUFIX for quick coupler SWA 48 hydraulic	+
Load holding valve for bucket cylinder	+
Mono boom 5.00 m	+
Mono boom offset 4.90 m	+
Quick coupler SWA 33 hydraulic	+
Quick coupler SWA 33 mechanical	+
Quick coupler SWA 48 hydraulic	+
Quick coupler SWA 48 mechanical	+
Security for hoist cylinders	+
Special painting	+
Stick 2.25 m	+
Stick 2.45 m	+
Stick 2.65 m	+
Stick bottom protection	+
Tool Management	+
Two-piece boom 5.30 m	+
Two-piece boom offset 5.00 m	+
Working envelope height limitation	+

● = Standard, + = Option

<sup>1)</sup> Equipment not individually available, but only as predefined packages

Non-exhaustive list, please contact us for further information.

Options and / or special equipment, supplied by vendors other than Liebherr, are only to be installed with the knowledge and approval of Liebherr in order to retain warranty.

## Liebherr-France SAS

2 avenue Joseph Rey, B.P. 90287 • 68005 Colmar Cedex, France • Phone +33 389 213030  
info.lfr@liebherr.com • www.liebherr.com • www.facebook.com/LiebherrConstruction