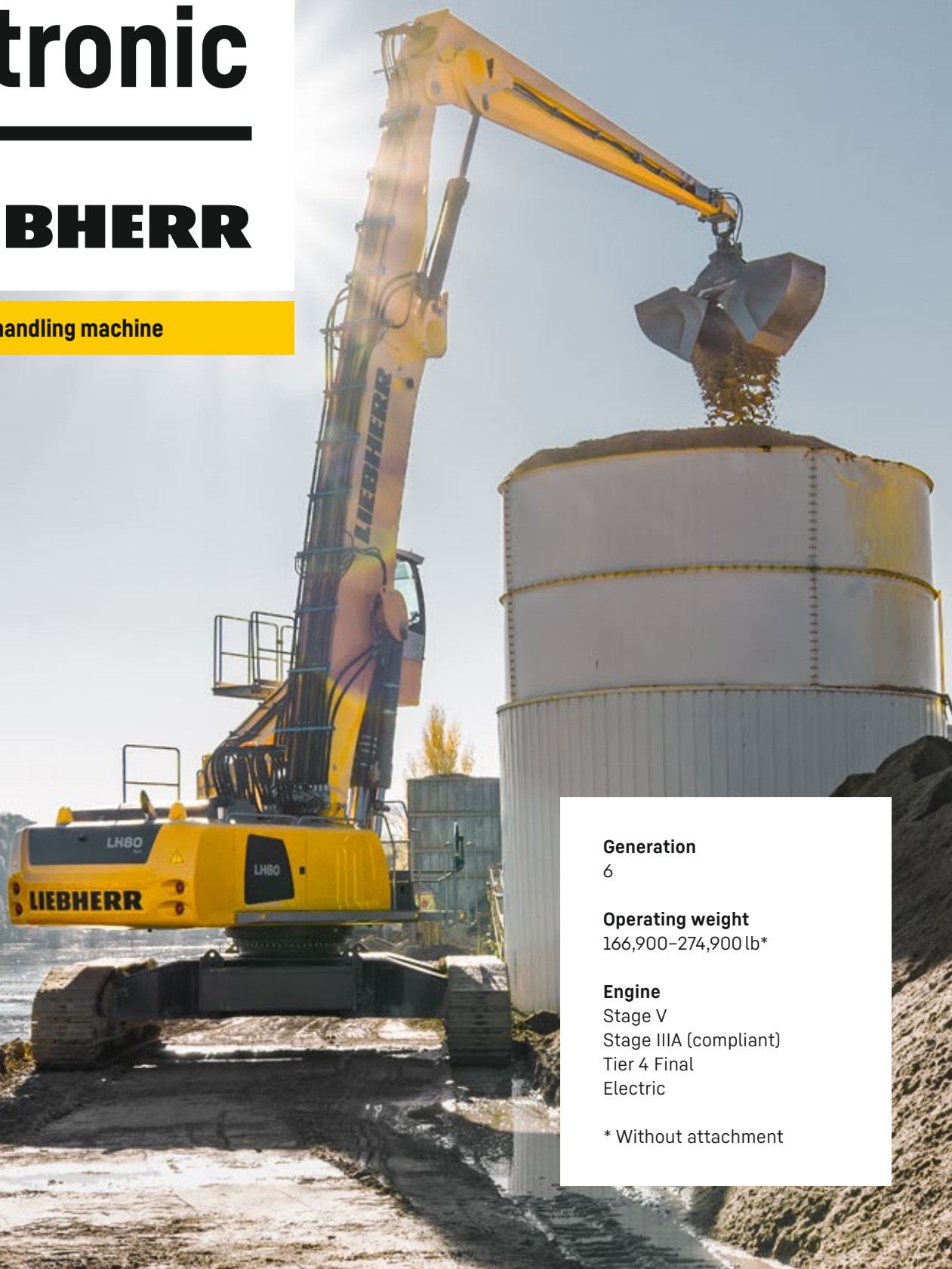

LH 80 Port Litronic

LIEBHERR

Material handling machine



Generation

6

Operating weight

166,900–274,900 lb*

Engine

Stage V

Stage IIIA (compliant)

Tier 4 Final

Electric

* Without attachment

Performance

Power plus speed –
Redefined performance

Economy

Good investment –
Savings for long-term

Reliability

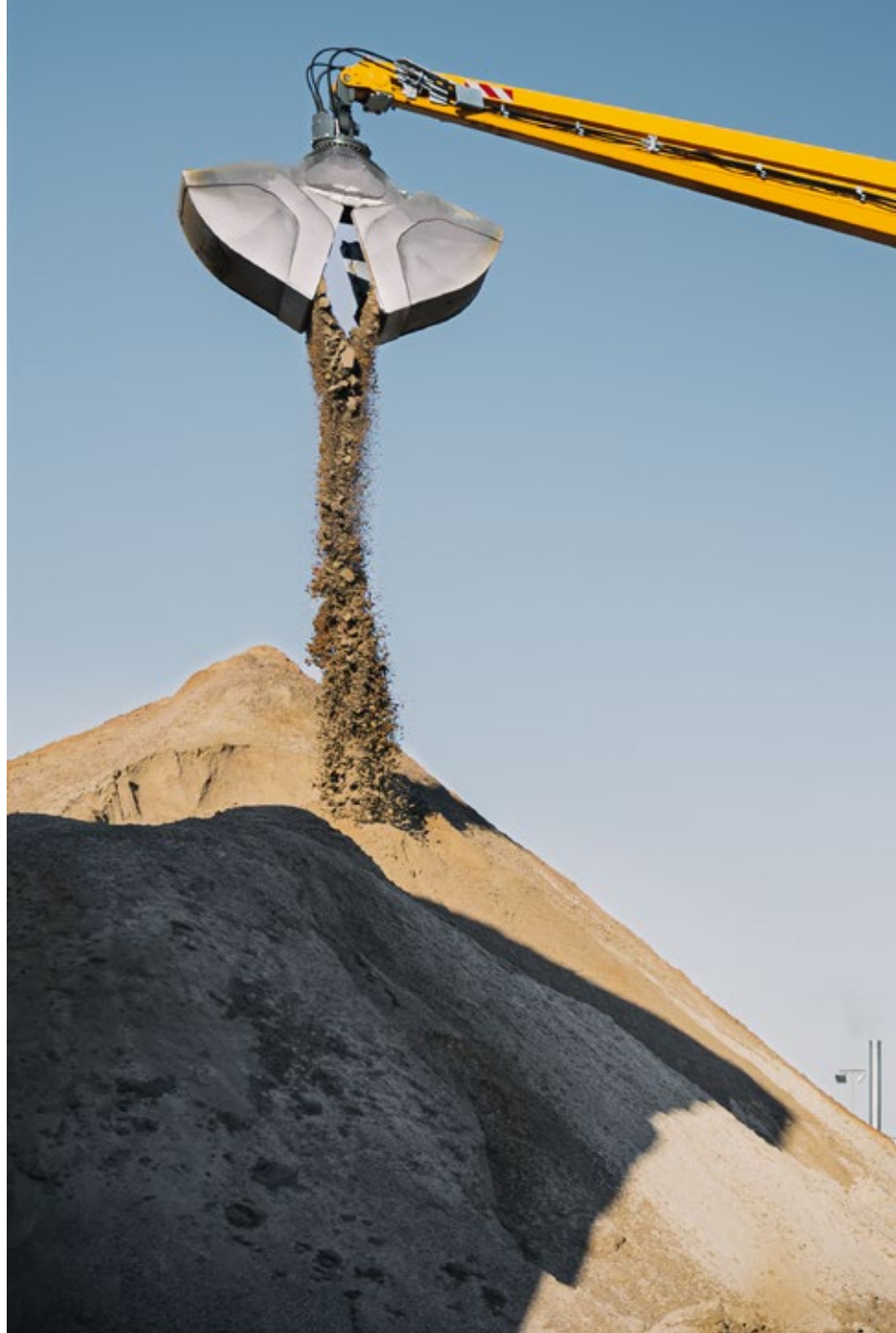
Durability and sustainability –
Quality down to the last detail

Comfort

Perfection at a glance –
When technology is comfortable

Maintainability

Efficiency bonus –
Even with maintenance and service



LH 80 M Port Litronic

Operating weight
166,900–194,900 lb*

Engine
308 HP / 230 kW (Diesel)
220 kW (Electric)
Stage V
Stage IIIA (compliant)
Tier 4 Final
Electric

System performance
418 kW (Diesel)
408 kW (Electric)

LH 80 C Port Litronic

Operating weight
176,400–204,100 lb*

Engine
308 HP / 230 kW (Diesel)
220 kW (Electric)
Stage V
Stage IIIA (compliant)
Tier 4 Final
Electric

System performance
418 kW (Diesel)
408 kW (Electric)

* Without attachment



LH 80 M High Rise Port Litronic

Operating weight
195,800–226,000 lb*

Engine
308 HP / 230 kW (Diesel)
220 kW (Electric)
Stage V
Stage IIIA (compliant)
Tier 4 Final
Electric

System performance
418 kW (Diesel)
408 kW (Electric)

LH 80 C High Rise Port Litronic

Operating weight
197,300–233,000 lb*

Engine
308 HP / 230 kW (Diesel)
220 kW (Electric)
Stage V
Stage IIIA (compliant)
Tier 4 Final
Electric

System performance
418 kW (Diesel)
408 kW (Electric)

LH 80 C Gantry Port Litronic

Operating weight
241,600–274,900 lb*

Engine
308 HP / 230 kW (Diesel)
220 kW (Electric)
Stage V
Stage IIIA (compliant)
Tier 4 Final
Electric

System performance
418 kW (Diesel)
408 kW (Electric)

Technical data

Diesel engine

Rating	
per SAE J1349	308 HP (230 kW) at 1,800 rpm
per ISO 9249	313 HP (230 kW) at 1,800 rpm
Model	Liebherr D946
Type	6 cylinder in-line
Bore / Stroke	5.1 / 5.9 in
Displacement	729 in ³
Engine operation	4-stroke diesel Common-Rail Turbo-charged and after-cooled Reduced emissions
Air cleaner	Dry-type air cleaner with pre-cleaner, primary and safety elements
Engine idling	Sensor controlled
Electrical system	
Voltage	24 V
Batteries	2 x 180 Ah / 12 V
Alternator	Three-phase current 28 V / 140 A
Stage V	
Harmful emissions values	According to regulation (EU) 2016/1628
Emission control	Liebherr-SCR Filter technology
Fuel tank	174 gal
Urea tank	17 gal
Stage IIIA (compliant)	
Harmful emissions values	In accordance with ECE-R.96 Power Band H
Fuel tank	174 gal
Tier 4 Final	
Harmful emissions values	In accordance with 40CFR1039 (EPA) / 13CCR (CARB)
Emission control	Liebherr-SCR technology
Fuel tank	174 gal
Urea tank	17 gal

Electric motor

Rating	220 kW at 1,800 rpm
Type	Three-phase squirrel cage motor
Secondary electric motor	Electric motor auxiliary equipment (air-conditioning compressor, alternator 24 V) 15 kW
Electrical system energy supply	Frequency converter fed drive system Heavy-duty version
Supply voltage	
Low voltage	380 V, 400 V
Frequency	50 / 60 Hz
Engine idling	Sensor controlled
Electrical system	Battery-assisted Control system, lighting, diagnostics system
Voltage	24 V
Batteries	2 x 135 Ah / 12 V
Alternator	Three-phase current 28 V / 140 A

Deviating parameters of the power supply system must always be clarified with Liebherr-Hydraulikbagger GmbH.

Cooling system

Diesel engine	Water-cooled Cooling system, consisting of a cooling unit for water and charge air and a 2nd cooler for hydraulic oil, each with an infinitely variable, thermostatically controlled fan drive system
Electric motor	Air-cooled Cooling system for hydraulic oil with an infinitely variable, thermostatically controlled fan drive system

Hydraulic controls

Power distribution	Via control valves with integrated safety valves, simultaneous actuation of chassis and equipment. Swing drive in separate closed circuit
Servo circuit	
Equipment and swing	With electro-hydraulic pilot control and proportional joystick levers
Chassis mobile	Electro-proportional via foot pedal
Chassis crawler	With electric proportionally functioning foot pedals or adjusted with plugable levers
Additional functions	
Proportional control	Via switch or electro-proportional foot pedals Proportionally acting transmitters on the joysticks for additional hydraulic functions

Hydraulic system

Hydraulic pump	
For equipment and travel drive	2 Liebherr axial piston variable displacement pumps (double construction)
Max. flow	2 x 96 gpm
Max. pressure	5,076 psi
For swing drive	Reversible axial piston variable displacement pump, closed-loop circuit
Max. flow	52 gpm
Max. pressure	5,366 psi
Hydraulic pump regulation and control	2 circuit Liebherr-Synchron-Comfort-system (LSC) with electronic engine speed sensing regulation, pressure and flow compensation, automatic oil flow optimizer
Hydraulic tank	90 gal
Hydraulic system	251 gal
Filtration	2 main return filters with integrated partial micro filtration (5 µm)
MODE selection	Adjustment of engine and hydraulic performance via a mode pre-selector to match application, e.g. for especially economical and environmentally friendly operation or for maximum material handling and heavy-duty jobs
S (Sensitive)	Mode for precision work and lifting through very sensitive movements
E (Eco)	Mode for especially economical and environmentally friendly operation
P (Power)	Mode for high performance with low fuel consumption
P+ (Power-Plus)	Mode for highest performance and for very heavy duty applications, suitable for continuous operation
Engine speed and performance setting	Stepless alignment of engine output and hydraulic power via engine speed
Option	Tool Control: 20 pre-adjustable pump flows and pressures for add-on attachments

Swing drive

Drive	Liebherr axial piston motor in a closed system, Liebherr planetary reduction gear
Swing ring	Liebherr, sealed race ball bearing swing ring, internal teeth
Swing speed	0-6.5 rpm stepless
Swing torque	103,996 lbf ft
Holding brake	Wet multi-disc (spring applied, pressure released)
Option	Slewing gear brake Comfort



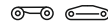
Cab

Cab	Safety cab structure with individual windscreens or featuring a slide-in subpart under the ceiling, work headlights integrated in the ceiling, a door with a sliding window (can be opened on both sides), large stowing and depositing possibilities, shock-absorbing suspension, sound damping insulating, tinted laminated safety glass, separate shades for the sunroof window and windscreen
High Rise / Gantry	Deviating from standard: safety cab structure with fixed built-in front and roof window made from impact-resistant laminated safety glass
Operator's seat Comfort	Air cushioned operator's seat with 3D-adjustable armrests, headrest, lap belt, seat heater, adjustable seat cushion inclination and length, lockable horizontal suspension, automatic weight adjustment, adjustable suspension stiffness, pneumatic lumbar vertebrae support and passive seat climatization with active coal
Operator's seat Premium (Option)	In addition to operator's seat comfort: active electronic weight adjustment (automatic readjustment), pneumatic low frequency suspension and active seat climatization with active coal and ventilator
Arm consoles	Joysticks with control consoles and swivel seat, folding left control console
Operation and displays	Large high-resolution operating unit, self-explanatory, color display with touchscreen, video-compatible, numerous setting, control and monitoring options, e.g. air conditioning control, fuel consumption respectively energy consumption, machine and attachment parameters
Air-conditioning	
Diesel engine	Automatic air-conditioning, recirculated air function, fast de-icing and demisting at the press of a button, air vents can be operated via a menu; recirculated air and fresh air filters can be easily replaced and are accessible from the outside; heating-cooling unit, designed for extreme outside temperatures, sensors for solar radiation, inside and outside temperatures
Electric motor	In addition to diesel engine: stationary air conditioning function with external climate condenser - controlled by a weekly timer



Equipment

Type	Weight-optimized design for bulk and general cargo handling at optimal handling capacity. Complex and stable mountings of equipment and cylinders
Hydraulic cylinders	Liebherr cylinders with special sealing and guide system and, depending on cylinder type, shock absorption
Energy recovering cylinder	Liebherr gas cylinder with special sealing and control system
Bearings	Sealed, low maintenance



Undercarriage

Mobile	
Versions	Standard, High Rise
Drive Standard	One axle drive per drive axle with Liebherr axial piston motor and functional brake valve on both sides
Drive High Rise	One driven axle with transmission with Liebherr axial piston motor and functional brake valve on both sides
Travel speed	0-6.2 mph stepless
Joystick steering	0-2.2 mph stepless (creeper speed) (Diesel) 0-1.9 mph stepless (creeper speed) (Electric) 0-5.0 mph stepless (High Rise) 0-3.1 mph stepless (creeper speed) (High Rise) (Diesel) 0-1.6 mph stepless (creeper speed) (High Rise) (Electric)
Driving operation	Automotive driving using accelerator pedal, cruise control function: storage of variable accelerator pedal positions
Axles	198,400 lb drive axles; manual or automatic hydraulically controlled front axle oscillation lock
Service brake	Two circuit travel brake system with accumulator; wet and backlash-free disc brake
Holding brake	Wet multi-disc (spring applied, pressure released)
Stabilization	4 point outriggers
Crawler	
Versions	SW, High Rise, Gantry
Drive	Liebherr compact planetary reduction gear with Liebherr axial piston motor per side of undercarriage
Travel speed	
SW	0-2.5 mph stepless 0-1.6 mph stepless (creeper speed)
High Rise	0-1.8 mph stepless 0-1.2 mph stepless (creeper speed)
Gantry	0-2.2 mph stepless 0-1.6 mph stepless (creeper speed)
Brake	Functional brake valves on both sides
Holding brake	Wet multi-disc (spring applied, pressure released)
Track pads	Triple grouser, flat
Tracks	Sealed and greased

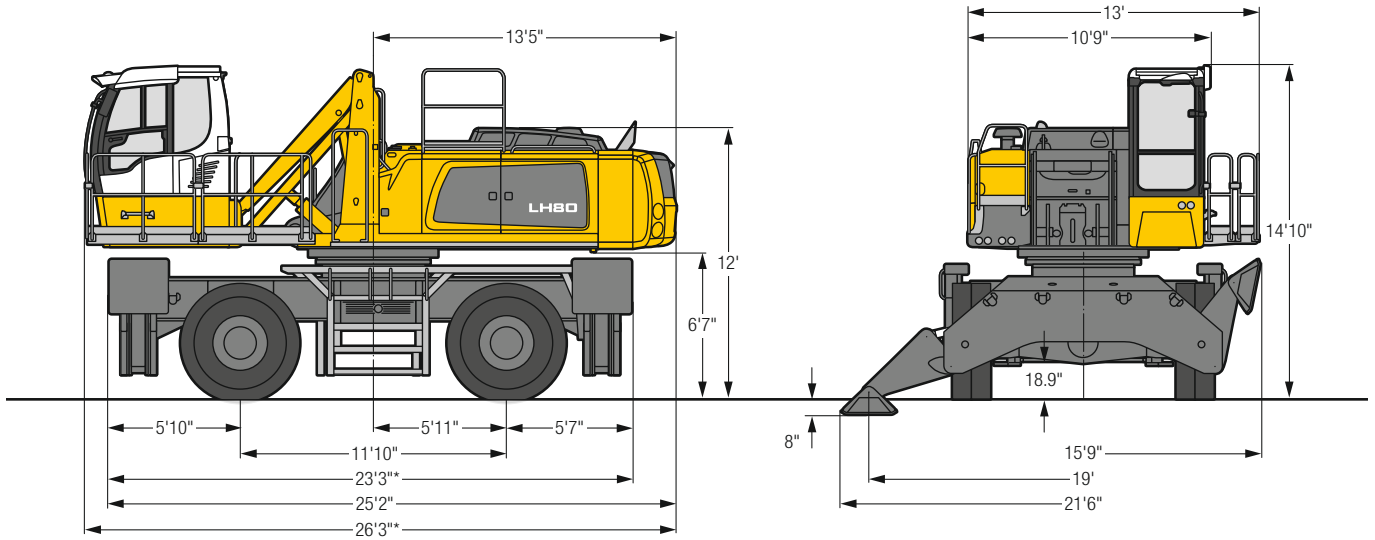


Complete machine

Lubrication	Liebherr central lubrication system for uppercarriage and equipment, automatically
Mobile (Option)	Liebherr central lubrication system for undercarriage, automatically
Steps system	Safe and durable access system with anti-slip steps; main components hot-galvanized
Noise emission	
ISO 6396	70 dB(A) = L _{PA} (inside cab)
2000/14/EC	105 dB(A) = L _{WA} (surround noise)

LH 80 M – Dimensions

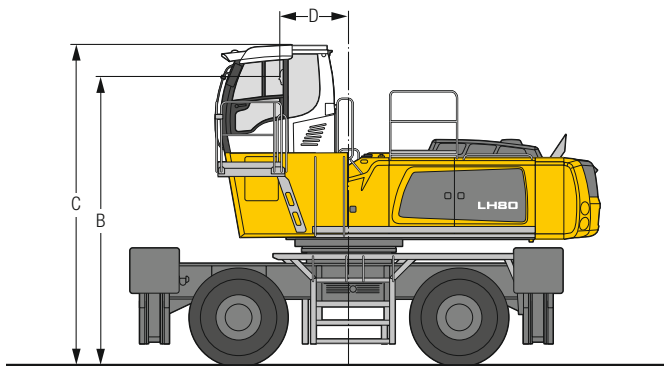
Port



* For electric machines, the length of the machine is increased accordingly by the trailing cable / cable reel system. Detailed dimensions are available on request.

LH 80 M – Choice of cab elevation

Cab elevation LFC (rigid elevation)

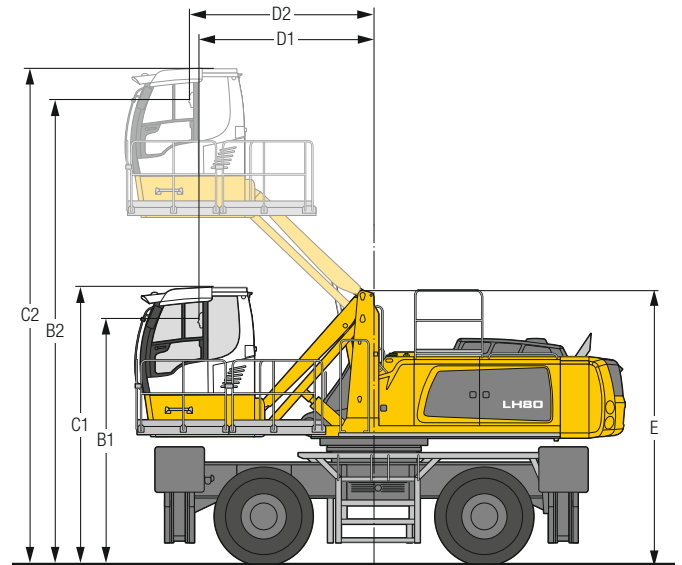


Increase type	LFC 120	LFC 200
Height	3'11"	6'7"
B	15' 5"	18'1"
C	17' 1"	19'9"
D	3' 8"	3'8"

A rigid cab elevation has a fixed eye level height. For a lower transport height, the shell of the cab can be removed and replaced by a transport device. The dimension C is in this machine design for all rigid cab elevations 13'.

Tires 23.5-25

Cab elevation LHC (hydraulic elevation)

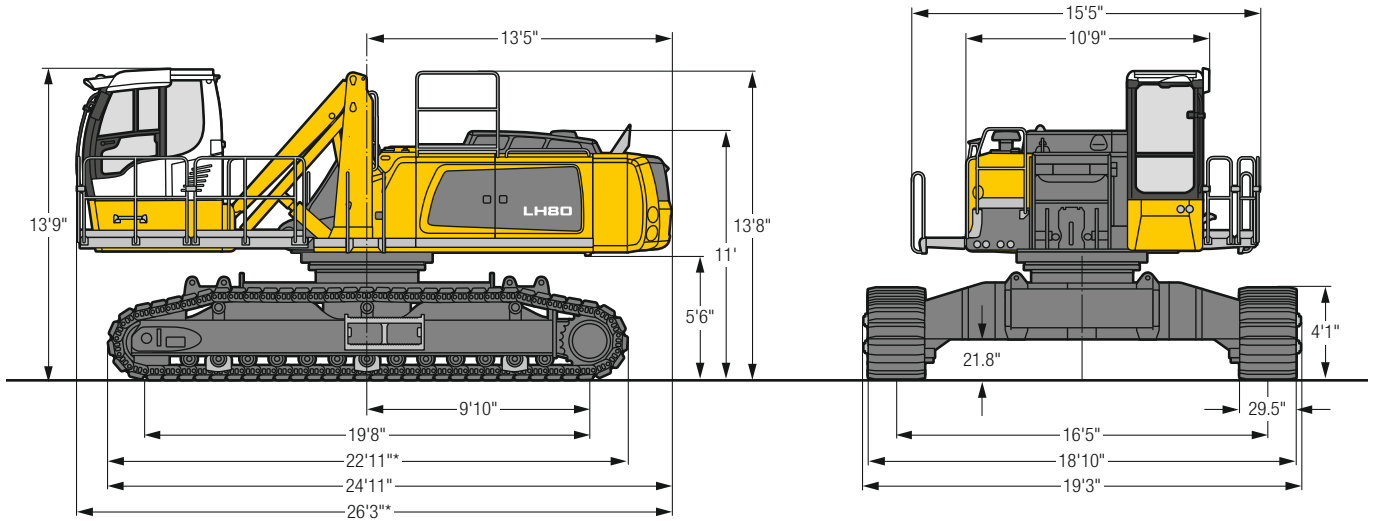


Increase type	LHC 255	LHC 340-35	LHC 360-50
B1	11' 6"	12' 8"	13' 2"
B2	19'10"	23'10"	24'10"
C1	13' 2"	14' 4"	14'10"
C2	21' 6"	25' 6"	26' 6"
D1	5' 6"	9' 2"	9' 4"
D2	5'11"	9' 2"	9'10"
E	12'10"	14' 2"	14' 7"

The hydraulically adjustable cab allows the driver, that he can choose his field of view freely and at any time within the stroke.

LH 80 C SW – Dimensions

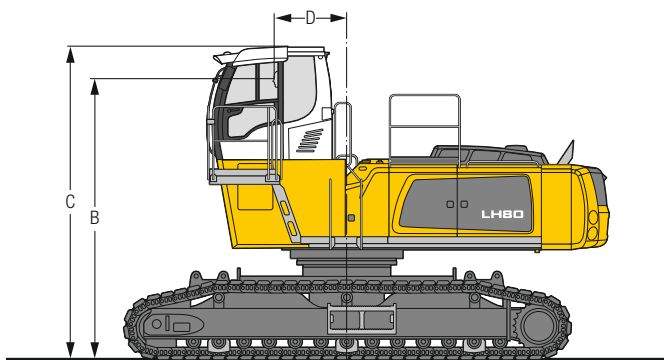
Port



* For electric machines, the length of the machine is increased accordingly by the trailing cable / cable reel system. Detailed dimensions are available on request.

LH 80 C SW – Choice of cab elevation

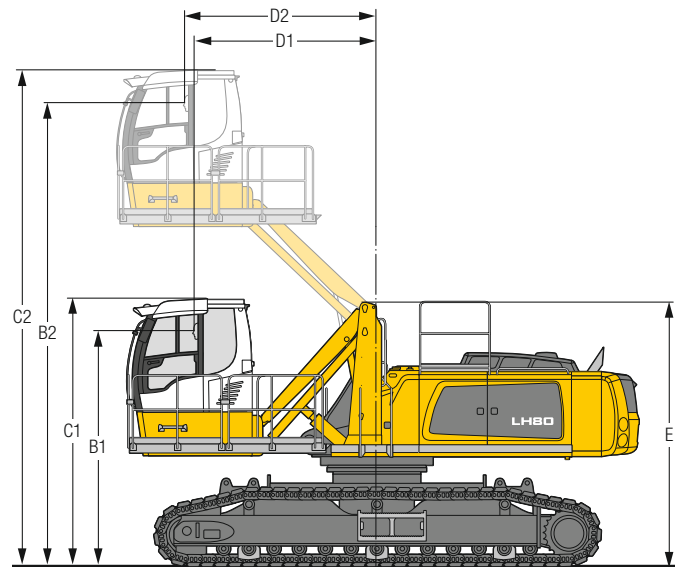
Cab elevation LFC (rigid elevation)



Increase type	LFC 120	LFC 200
Height	3'11"	6'7"
B	14' 4"	17'
C	16' 1"	18'8"
D	3' 8"	3'8"

A rigid cab elevation has a fixed eye level height. For a lower transport height, the shell of the cab can be removed and replaced by a transport device. The dimension C is in this machine design for all rigid cab elevations 13'1".

Cab elevation LHC (hydraulic elevation)

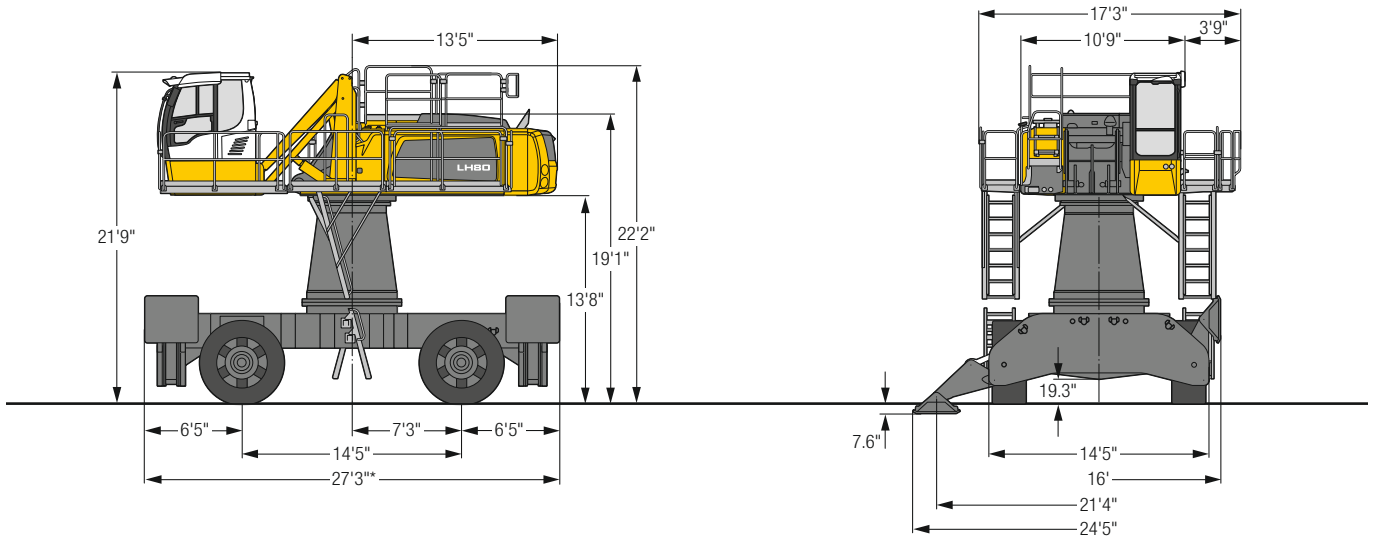


Increase type	LHC 255	LHC 340-35	LHC 360-50
B1	10' 5"	11'7"	12' 1"
B2	18' 9"	22'9"	23' 9"
C1	12' 1"	13'3"	13' 9"
C2	20' 6"	24'6"	25' 6"
D1	5' 6"	9'2"	9' 4"
D2	5'11"	9'2"	9'10"
E	11' 9"	13'1"	13' 7"

The hydraulically adjustable cab allows the driver, that he can choose his field of view freely and at any time within the stroke.

LH 80 M HR – Dimensions

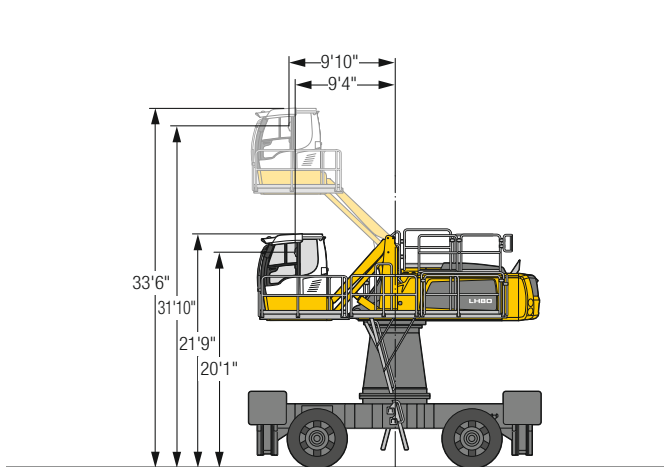
Port



* For electric machines, the length of the machine is increased accordingly by the trailing cable / cable reel system. Detailed dimensions are available on request.

LH 80 M HR – Choice of cab elevation

Cab elevation LHC (hydraulic elevation)

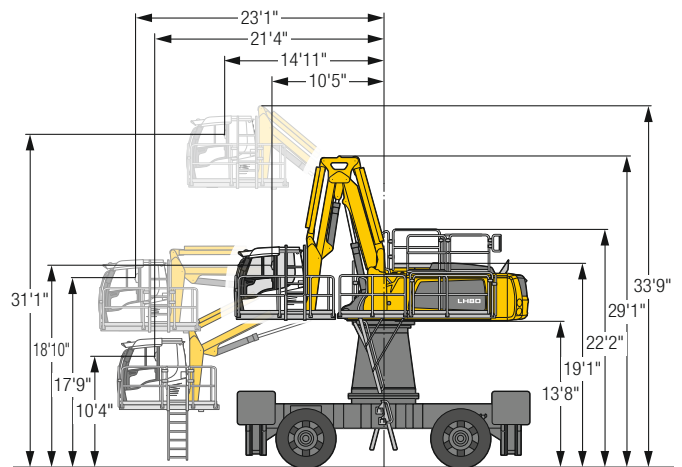


Increase type

LHC 360-50

The hydraulically adjustable cab allows the driver, that he can choose his field of view freely and at any time within the stroke.

Cab elevation LHC-D (hydraulic elevation)



Increase type

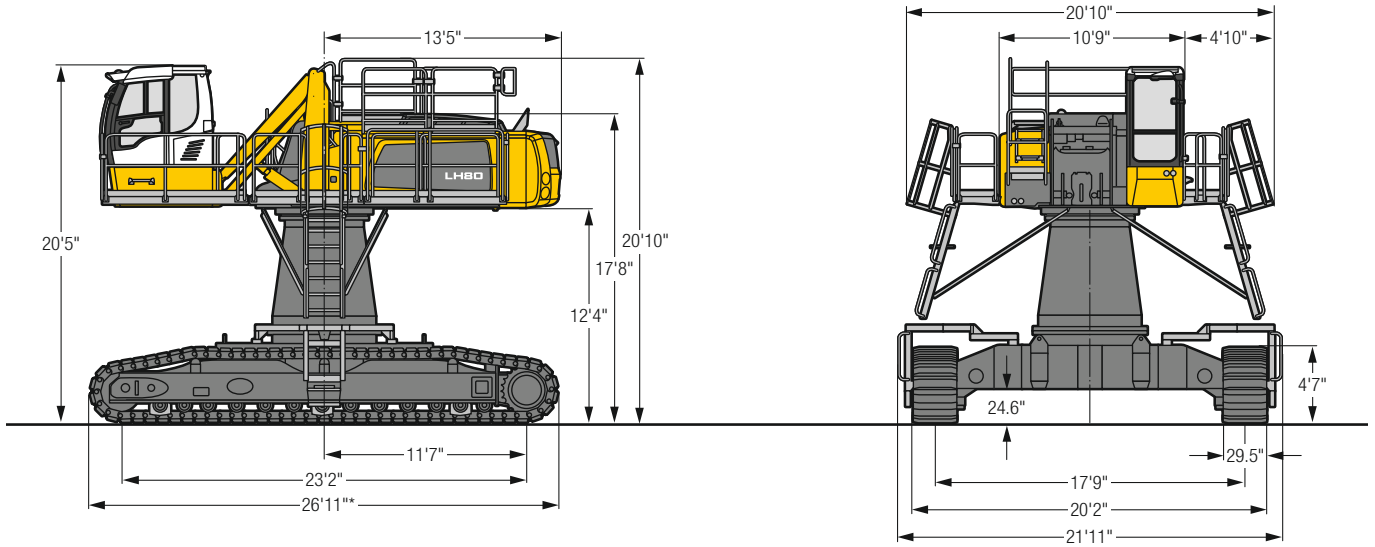
LHC-D 730

The hydraulically adjustable cab allows the driver, that he can choose his field of view freely and at any time within the stroke.

Tires 26.5-25

LH 80 C HR – Dimensions

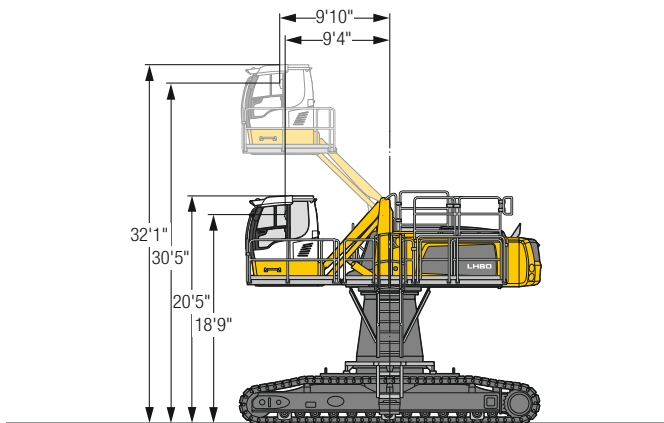
Port



* For electric machines, the length of the machine is increased accordingly by the trailing cable / cable reel system. Detailed dimensions are available on request.

LH 80 C HR – Choice of cab elevation

Cab elevation LHC (hydraulic elevation)

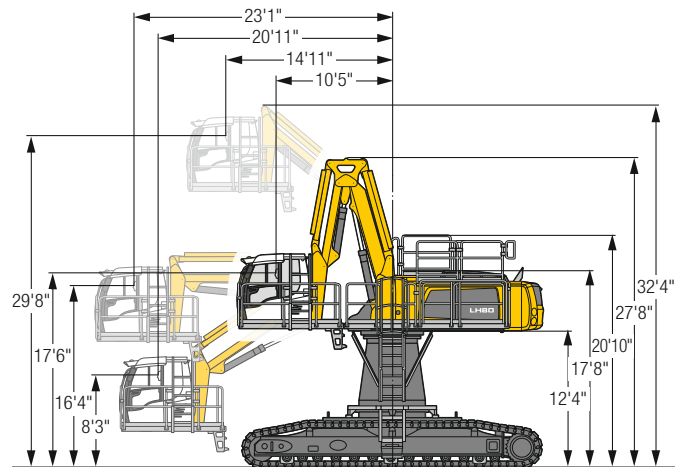


Increase type

LHC 360-50

The hydraulically adjustable cab allows the driver, that he can choose his field of view freely and at any time within the stroke.

Cab elevation LHC-D (hydraulic elevation)



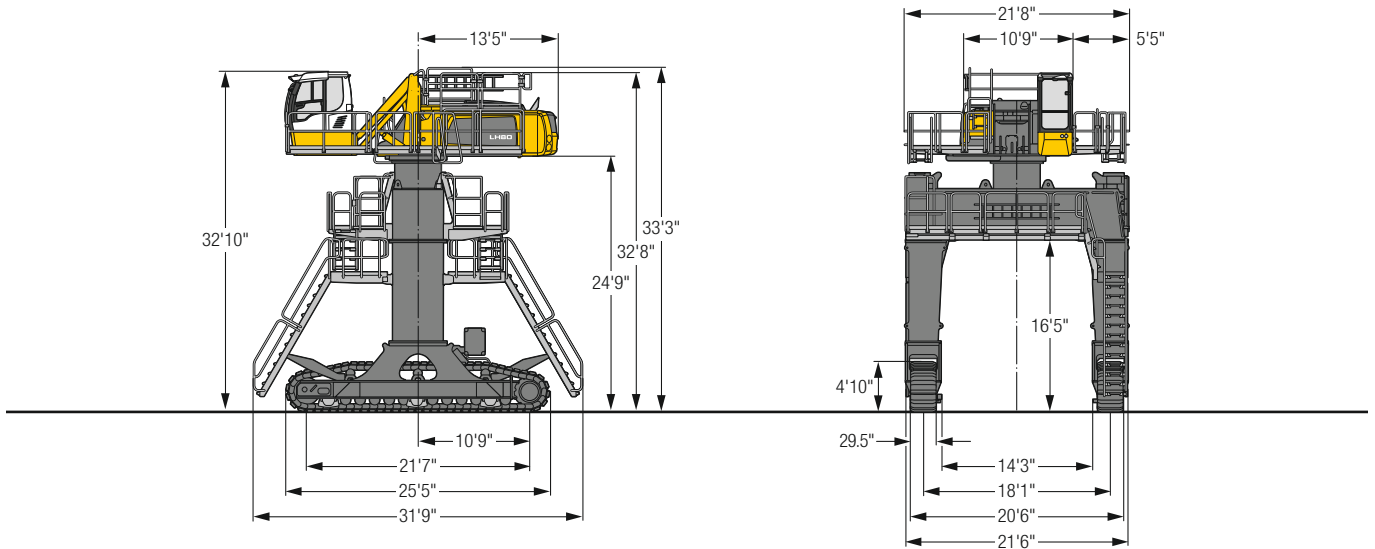
Increase type

LHC-D 730

The hydraulically adjustable cab allows the driver, that he can choose his field of view freely and at any time within the stroke.

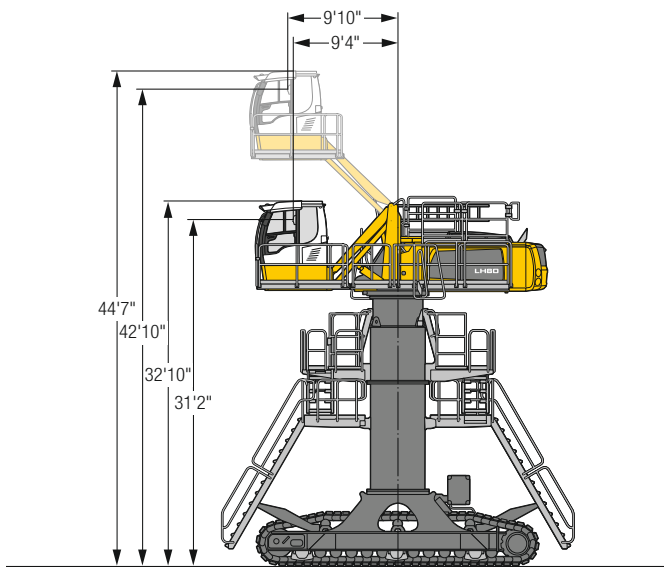
LH 80 C Gantry – Dimensions

Port



LH 80 C Gantry – Cab elevation

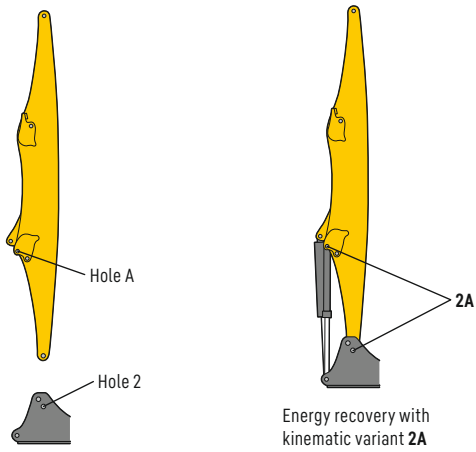
Cab elevation LHC (hydraulic elevation)



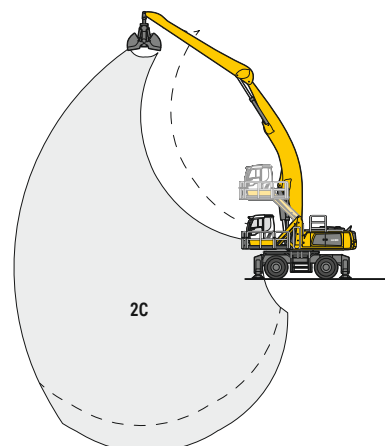
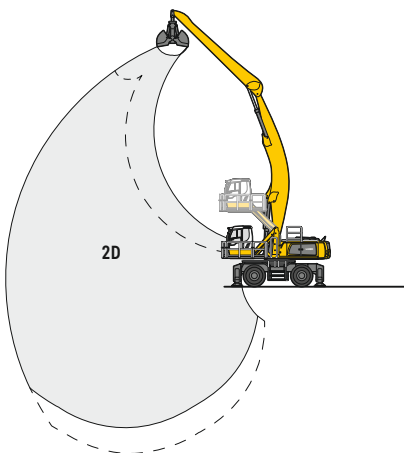
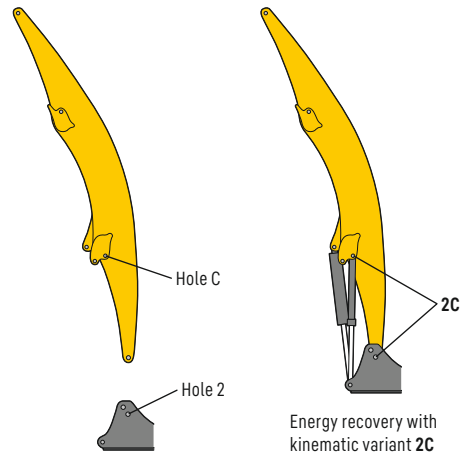
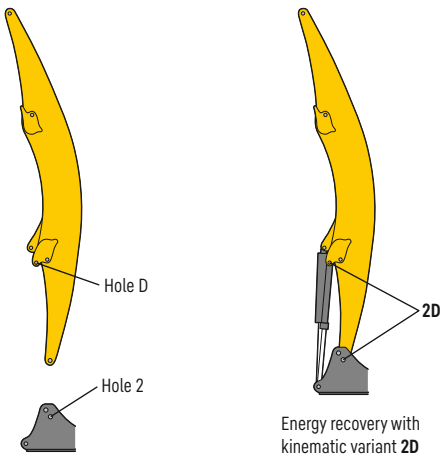
Increase type LHC 360-50

The hydraulically adjustable cab allows the driver, that he can choose his field of view freely and at any time within the stroke.

Kinematic variant 2A



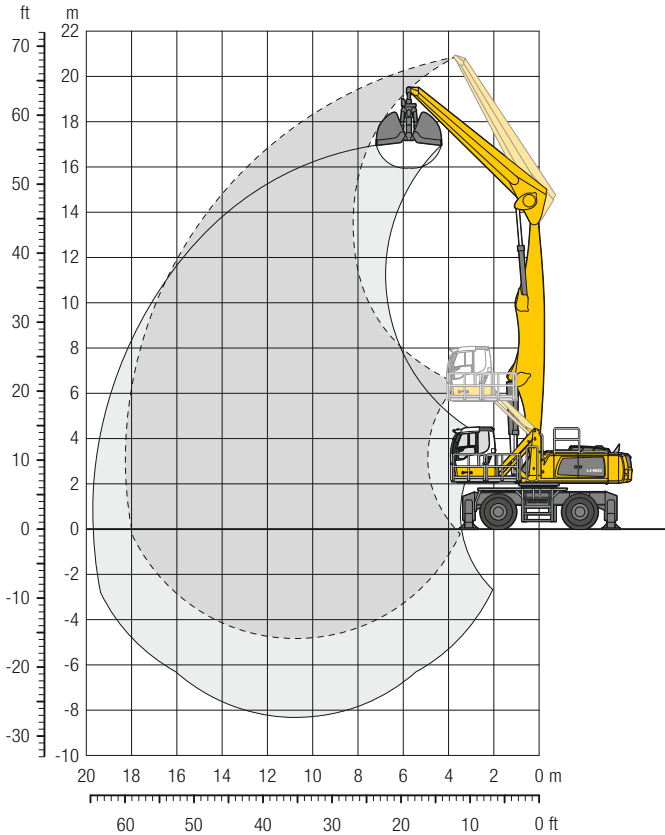
Kinematic variant 2D / 2C



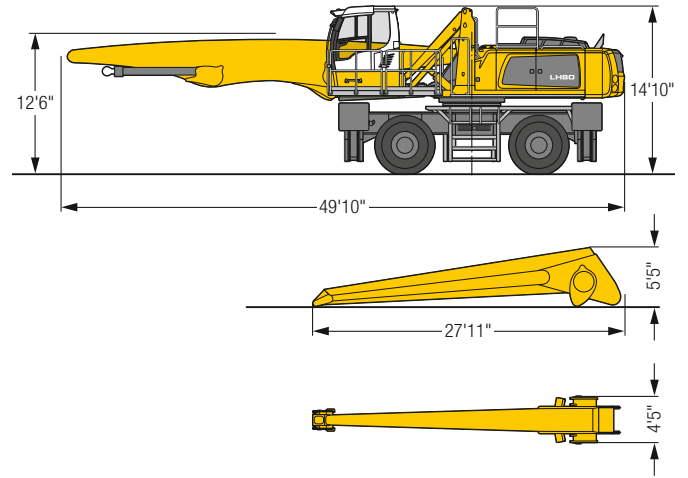
Altered range curve with additional reach depth, e.g. for unloading from ships

LH 80 M – Equipment GG18

Port – Kinematic 2A



Dimensions



Operating weight

The operating weight includes the basic machine with 4 point outriggers, hydr. cab elevation, 4 solid tires, straight boom 34'5", straight stick 26'3" and grab for loose material GMZ 80 / 10.46 yd³.

Weight 178,400 lb

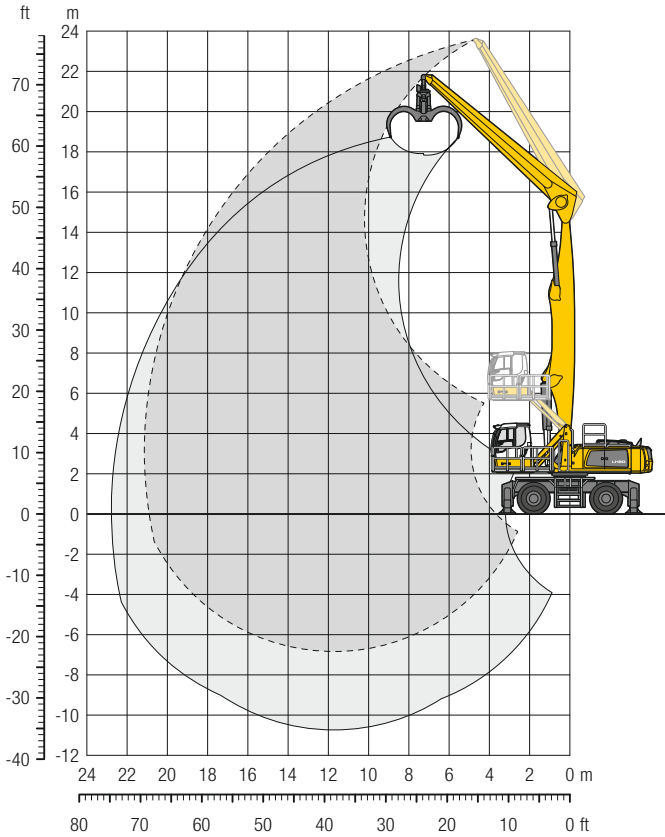
ft	Undercarriage	Reach (ft)													ft in				
		20	25	30	35	40	45	50	55	60	65	70	75	80	ft	in			
75	4 pt. outriggers down																		
70	4 pt. outriggers down																		
65	4 pt. outriggers down	44,4* 44,4*															37,3*	37,3*	24' 1"
60	4 pt. outriggers down		42,7* 42,7*	36,9* 36,9*													30,4*	30,4*	33' 5"
55	4 pt. outriggers down		44,5* 44,5*	40,1* 40,1*	36,3* 36,3*												27,0*	27,0*	39'11"
50	4 pt. outriggers down			39,2* 39,2*	35,5* 35,5*	32,8* 32,8*											25,0*	25,0*	45'
45	4 pt. outriggers down				38,8* 38,8*	35,2* 35,2*	32,4* 32,4*	30,1* 30,1*									23,7*	23,7*	48'11"
40	4 pt. outriggers down				39,0* 39,0*	35,3* 35,3*	32,3* 32,3*	29,9* 29,9*	27,9* 27,9*								22,8*	22,8*	52' 2"
35	4 pt. outriggers down		45,0* 45,0*	39,7* 39,7*	35,7* 35,7*	32,6* 32,6*	30,0* 30,0*	27,9* 27,9*									22,3*	22,3*	54' 8"
30	4 pt. outriggers down		46,8* 46,8*	41,0* 41,0*	36,6* 36,6*	33,1* 33,1*	30,3* 30,3*	27,9* 27,9*	25,5 25,7*								22,0*	22,0*	56' 8"
25	4 pt. outriggers down	46,0* 46,0*	49,4* 49,4*	42,6* 42,6*	37,7* 37,7*	33,8* 33,8*	30,7* 30,7*	28,1* 28,1*	25,3 25,7*								21,9*	21,9*	58' 2"
20	4 pt. outriggers down	62,9* 62,9*	52,5* 52,5*	44,6* 44,6*	38,9* 38,9*	34,6* 34,6*	31,2* 31,2*	28,3* 28,3*	25,1 25,7*								22,0*	22,0*	59' 2"
15	4 pt. outriggers down	69,9* 69,9*	55,7* 55,7*	46,6* 46,6*	40,2* 40,2*	35,4* 35,4*	31,6* 31,6*	28,5* 28,5*	24,8 25,5*								21,7	22,0*	59'10"
10	4 pt. outriggers down	74,4* 74,4*	58,4* 58,4*	48,3* 48,3*	41,2* 41,2*	36,0* 36,0*	31,9* 31,9*	28,2 28,4*	24,5 25,1*								20,8*	20,8*	60'
5	4 pt. outriggers down	35,7* 35,7*	59,8* 59,8*	49,2* 49,2*	41,8* 41,8*	36,2* 36,2*	31,8* 31,8*	27,7 28,0*	24,2 24,3*								19,4*	19,4*	59' 8"
0	4 pt. outriggers down	30,3* 30,3*	59,2* 59,2*	48,9* 48,9*	41,4* 41,4*	35,7* 35,7*	31,1* 31,1*	26,9* 26,9*	22,7* 22,7*								17,7*	17,7*	59'
-5	4 pt. outriggers down	31,6* 31,6*	56,2* 56,2*	47,0* 47,0*	39,9* 39,9*	34,3* 34,3*	29,5* 29,5*	25,0* 25,0*	20,0* 20,0*								18,3*	18,3*	56' 4"
-10	4 pt. outriggers down	35,3* 35,3*	50,4* 50,4*	43,0* 43,0*	36,8* 36,8*	31,5* 31,5*	26,7* 26,7*	21,8* 21,8*									20,2*	20,2*	51' 6"
-15	4 pt. outriggers down			36,6* 36,6*	31,7* 31,7*	26,9* 26,9*											26,0*	26,0*	40'11"
-20	4 pt. outriggers down																		

Height Can be slewed through 360° In longitudinal position of undercarriage Max. reach * Limited by hydr. capacity

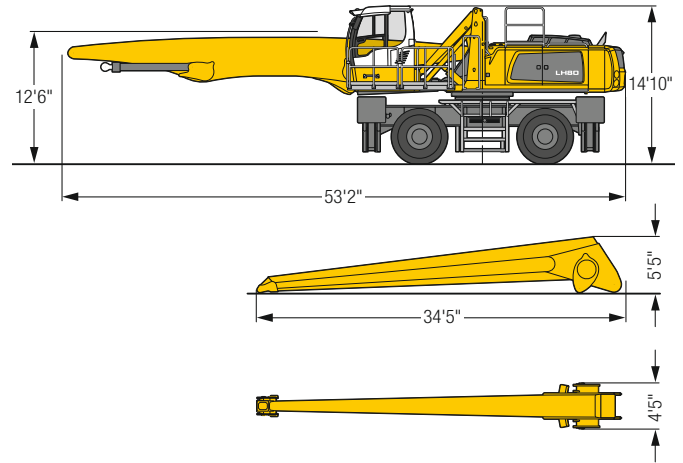
The lift capacities on the stick end without attachment are stated in lb x 1,000 and are valid on a firm, level supporting surface with blocked oscillating axle. These capacities can be slewed through 360° with the undercarriage in the transverse position. Capacities in the longitudinal position of the undercarriage (±15°) are specified over the rigid axle with the stabilizers down. Indicated loads based on the ISO 10567 standard and do not exceed 75% of tipping or 87% of hydraulic capacity. The lift capacity values indicated are attained at the corresponding operating temperature. This operating temperature is ensured by continuous movement of the boom. Weights of fitted attachments (grabs, load hooks, etc.) and load accommodation attachment are to be deducted from the lift capacity values. The lift capacity of the unit is limited by its stability, the lifting capability of the hydraulic elements, or the maximum permissible lifting capacity of the load hook.

LH 80 M – Equipment GG21

Port – Kinematic 2A



Dimensions



Operating weight

The operating weight includes the basic machine with 4 point outriggers, hydr. cab elevation, 4 solid tires, straight boom 37'9", straight stick 32'10" and wood grab GMH 80 / 2.63 yd².

Weight 177,400 lb

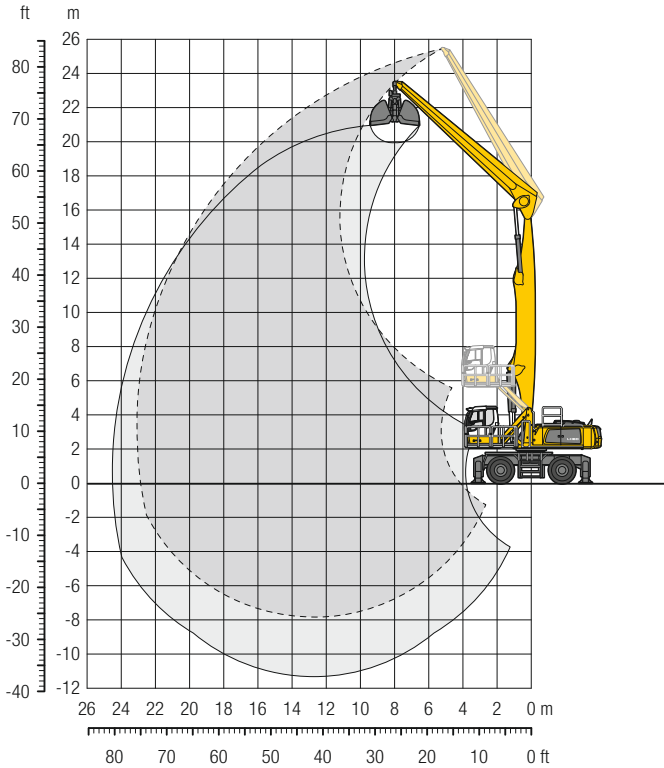
ft	Undercarriage	20 ft	25 ft	30 ft	35 ft	40 ft	45 ft	50 ft	55 ft	60 ft	65 ft	70 ft	75 ft	80 ft	ft in
75	4 pt. outriggers down	37,5° 37,5°													31,9° 31,9° 24' 6"
70	4 pt. outriggers down			31,7° 31,7°	25,7° 25,7°										25,4° 25,4° 35' 2"
65	4 pt. outriggers down			34,3° 34,3°	31,0° 31,0°	26,3° 26,3°									22,3° 22,3° 42' 7"
60	4 pt. outriggers down				32,6° 32,6°	29,8° 29,8°	25,7° 25,7°								20,4° 20,4° 48' 5"
55	4 pt. outriggers down				32,0° 32,0°	29,3° 29,3°	27,1° 27,1°	24,4° 24,4°							19,1° 19,1° 53' 1"
50	4 pt. outriggers down				31,7° 31,7°	29,0° 29,0°	26,8° 26,8°	25,0° 25,0°	22,1° 22,1°						18,3° 18,3° 57'
45	4 pt. outriggers down				31,7° 31,7°	29,0° 29,0°	26,7° 26,7°	24,9° 24,9°	23,3° 23,3°	18,1° 18,1°					17,7° 17,7° 60' 2"
40	4 pt. outriggers down				32,0° 32,0°	29,2° 29,2°	26,9° 26,9°	24,9° 24,9°	23,3° 23,3°	21,8° 21,8°					17,3° 17,3° 62' 10"
35	4 pt. outriggers down				32,6° 32,6°	29,6° 29,6°	27,1° 27,1°	25,1° 25,1°	23,3° 23,3°	21,8° 21,8°					17,0° 17,0° 64' 11"
30	4 pt. outriggers down				33,4° 33,4°	30,2° 30,2°	27,6° 27,6°	25,4° 25,4°	23,5° 23,5°	21,8° 21,8°	19,3 20,1°				16,9° 16,9° 67' 7"
25	4 pt. outriggers down		35,9° 35,9°	39,1° 39,1°	34,5° 34,5°	31,0° 31,0°	28,1° 28,1°	25,7° 25,7°	23,7° 23,7°	21,9° 21,9°	19,2 20,0°				16,8° 16,8° 67' 11"
20	4 pt. outriggers down	34,8° 34,8°	43,5° 43,5°	41,0° 41,0°	35,8° 35,8°	31,8° 31,8°	28,7° 28,7°	26,1° 26,1°	23,9° 23,9°	21,8 21,9°	19,0 20,0°				16,9° 16,9° 68' 10"
15	4 pt. outriggers down	63,1° 63,1°	51,2° 51,2°	43,0° 43,0°	37,1° 37,1°	32,7° 32,7°	29,3° 29,3°	26,4° 26,4°	24,1° 24,1°	21,5 21,9°	18,8 19,8°				16,8 17,1° 69' 4"
10	4 pt. outriggers down	68,6° 68,6°	54,1° 54,1°	44,8° 44,8°	38,3° 38,3°	33,5° 33,5°	29,7° 29,7°	26,7° 26,7°	24,1° 24,1°	21,1 21,8°	18,5 19,4°				16,5° 16,5° 69' 5"
5	4 pt. outriggers down	39,6° 39,6°	56,2° 56,2°	46,2° 46,2°	39,2° 39,2°	34,0° 34,0°	30,0° 30,0°	26,8° 26,8°	23,6 24,0°	20,7 21,5°	18,3 18,8°				15,6° 15,6° 69' 2"
0	4 pt. outriggers down	26,6° 26,6°	56,8° 56,8°	46,7° 46,7°	39,5° 39,5°	34,2° 34,2°	30,0° 30,0°	26,6° 26,6°	23,1 23,6°	20,4 20,8°	17,7° 17,7°				14,5° 14,5° 68' 7"
-5	4 pt. outriggers down	24,9° 24,9°	49,5° 49,5°	46,1° 46,1°	39,1° 39,1°	33,7° 33,7°	29,5° 29,5°	25,9° 25,9°	22,7 22,7°	19,6° 19,6°	16,0° 16,0°				13,4° 13,4° 67' 5"
-10	4 pt. outriggers down	26,3° 26,3°	44,9° 44,9°	44,1° 44,1°	37,6° 37,6°	32,5° 32,5°	28,2° 28,2°	24,6° 24,6°	21,2° 21,2°	17,7° 17,7°					14,2° 14,2° 64'
-15	4 pt. outriggers down	29,0° 29,0°	44,9° 44,9°	40,4° 40,4°	34,8° 34,8°	30,1° 30,1°	26,1° 26,1°	22,4° 22,4°	18,8° 18,8°						15,6° 15,6° 59'
-20	4 pt. outriggers down			34,9° 34,9°	30,4° 30,4°	26,4° 26,4°	22,6° 22,6°	19,0° 19,0°							18,8° 18,8° 50' 4"

Height Can be slewed through 360° In longitudinal position of undercarriage Max. reach * Limited by hydr. capacity

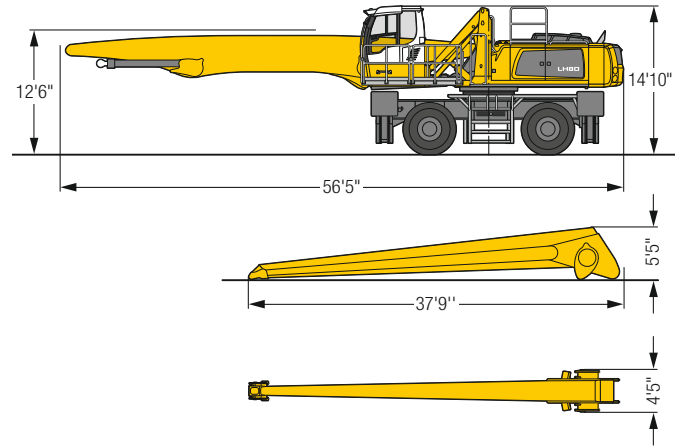
The lift capacities on the stick end without attachment are stated in lb x 1,000 and are valid on a firm, level supporting surface with blocked oscillating axle. These capacities can be slewed through 360° with the undercarriage in the transverse position. Capacities in the longitudinal position of the undercarriage (±15°) are specified over the rigid axle with the stabilizers down. Indicated loads based on the ISO 10567 standard and do not exceed 75% of tipping or 87% of hydraulic capacity. The lift capacity values indicated are attained at the corresponding operating temperature. This operating temperature is ensured by continuous movement of the boom. Weights of fitted attachments (grabs, load hooks, etc.) and load accommodation attachment are to be deducted from the lift capacity values. The lift capacity of the unit is limited by its stability, the lifting capability of the hydraulic elements, or the maximum permissible lifting capacity of the load hook.

LH 80 M – Equipment GG23

Port – Kinematic 2A



Dimensions



Operating weight

The operating weight includes the basic machine with 4 point outriggers, hydr. cab elevation, 4 solid tires, straight boom 41', straight stick 36'1" and grab for loose material GMZ 80 / 7.85 yd³.

Weight 181,100 lb

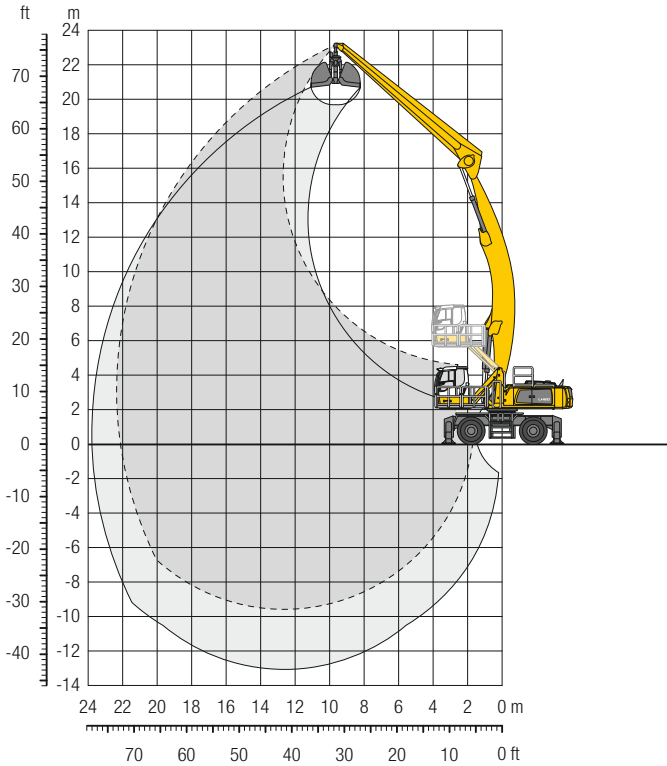
ft	Undercarriage	20 ft	25 ft	30 ft	35 ft	40 ft	45 ft	50 ft	55 ft	60 ft	65 ft	70 ft	75 ft	80 ft	ft in
80	4 pt. outriggers down		31.5* 31.5*	26.0* 26.0*											25.9* 25.9*
75	4 pt. outriggers down			30.6* 30.6*	26.9* 26.9*										21.3* 21.3*
70	4 pt. outriggers down				29.6* 29.6*	26.6* 26.6*	22.0* 22.0*								18.9* 18.9*
65	4 pt. outriggers down				30.8* 30.8*	28.3* 28.3*	26.0* 26.0*	21.6* 21.6*							17.3* 17.3*
60	4 pt. outriggers down					27.8* 27.8*	25.5* 25.5*	23.6* 23.6*	20.5* 20.5*						16.3* 16.3*
55	4 pt. outriggers down					27.6* 27.6*	25.3* 25.3*	23.4* 23.4*	21.8* 21.8*	18.5* 18.5*					15.5* 15.5*
50	4 pt. outriggers down					27.5* 27.5*	25.2* 25.2*	23.3* 23.3*	21.7* 21.7*	20.3* 20.3*					14.9* 14.9*
45	4 pt. outriggers down					27.6* 27.6*	25.3* 25.3*	23.3* 23.3*	21.6* 21.6*	20.2* 20.2*	18.9* 18.9*				14.5* 14.5*
40	4 pt. outriggers down				30.9* 30.9*	27.9* 27.9*	25.4* 25.4*	23.4* 23.4*	21.7* 21.7*	20.2* 20.2*	18.8* 18.8*	14.6* 14.6*			14.3* 14.3*
35	4 pt. outriggers down				31.5* 31.5*	28.3* 28.3*	25.8* 25.8*	23.6* 23.6*	21.8* 21.8*	20.3* 20.3*	18.8* 18.8*	16.9 17.4*			14.1* 14.1*
30	4 pt. outriggers down			32.4* 32.4*	32.3* 32.3*	28.9* 28.9*	26.2* 26.2*	23.9* 23.9*	22.0* 22.0*	20.4* 20.4*	18.9* 18.9*	16.8 17.4*			14.0* 14.0*
25	4 pt. outriggers down			35.7* 35.7*	33.3* 33.3*	29.6* 29.6*	26.7* 26.7*	24.3* 24.3*	22.2* 22.2*	20.5* 20.5*	18.9* 18.9*	16.7 17.4*			14.0* 14.0*
20	4 pt. outriggers down	29.1* 29.1*	37.6* 37.6*	39.6* 39.6*	34.4* 34.4*	30.4* 30.4*	27.2* 27.2*	24.6* 24.6*	22.5* 22.5*	20.6* 20.6*	18.8 18.9*	16.4 17.3*	14.4 15.2*		14.0* 14.0*
15	4 pt. outriggers down	55.7* 55.7*	49.5* 49.5*	41.3* 41.3*	35.5* 35.5*	31.1* 31.1*	27.7* 27.7*	25.0* 25.0*	22.7* 22.7*	20.7* 20.7*	18.4 18.9*	16.2 17.1*	14.3 14.9*		13.9 14.2*
10	4 pt. outriggers down	66.0* 66.0*	51.9* 51.9*	42.8* 42.8*	36.5* 36.5*	31.8* 31.8*	28.1* 28.1*	25.2* 25.2*	22.8* 22.8*	20.6 20.7*	18.0 18.7*	15.9 16.8*	14.1 14.3*		13.5* 13.5*
5	4 pt. outriggers down	28.3* 28.3*	53.6* 53.6*	43.9* 43.9*	37.2* 37.2*	32.3* 32.3*	28.4* 28.4*	25.3* 25.3*	22.8* 22.8*	20.1 20.5*	17.7 18.4*	15.7 16.3*	13.5* 13.5*		12.7* 12.7*
0	4 pt. outriggers down	19.7* 19.7*	47.6* 47.6*	44.4* 44.4*	37.5* 37.5*	32.4* 32.4*	28.4* 28.4*	25.2* 25.2*	22.3 22.5*	19.6 20.2*	17.3 17.9*	15.5 15.5*	12.1* 12.1*		11.7* 11.7*
-5	4 pt. outriggers down	18.8* 18.8*	36.1* 36.1*	43.8* 43.8*	37.2* 37.2*	32.1* 32.1*	28.1* 28.1*	24.8* 24.8*	21.8 22.0*	19.2 19.5*	17.0 17.1*	14.3* 14.3*			10.7* 10.7*
-10	4 pt. outriggers down	20.1* 20.1*	33.4* 33.4*	42.2* 42.2*	36.0* 36.0*	31.1* 31.1*	27.2* 27.2*	23.9* 23.9*	21.1* 21.1*	18.4* 18.4*	15.7* 15.7*	12.5* 12.5*			11.2* 11.2*
-15	4 pt. outriggers down	22.4* 22.4*	33.7* 33.7*	39.2* 39.2*	33.8* 33.8*	29.3* 29.3*	25.6* 25.6*	22.4* 22.4*	19.5* 19.5*	16.7* 16.7*	13.7* 13.7*				12.1* 12.1*
-20	4 pt. outriggers down		35.4* 35.4*	34.7* 34.7*	30.4* 30.4*	26.5* 26.5*	23.2* 23.2*	20.1* 20.1*	17.2* 17.2*	14.2* 14.2*					13.6* 13.6*
-25	4 pt. outriggers down					22.5* 22.5*	19.6* 19.6*								18.2* 18.2*

Height Can be slewed through 360° In longitudinal position of undercarriage Max. reach * Limited by hydr. capacity

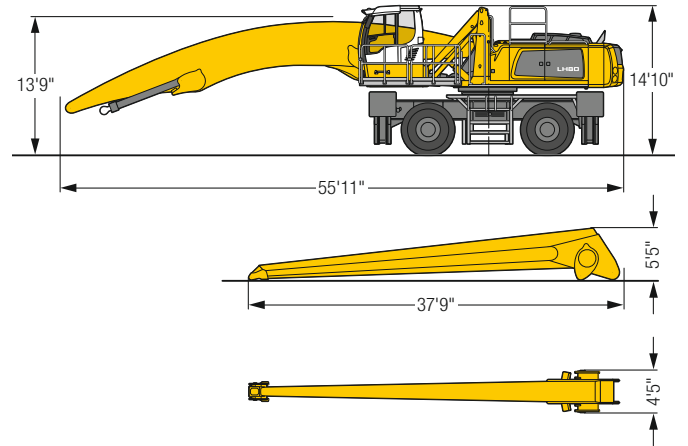
The lift capacities on the stick end without attachment are stated in lb x 1,000 and are valid on a firm, level supporting surface with blocked oscillating axle. These capacities can be slewed through 360° with the undercarriage in the transverse position. Capacities in the longitudinal position of the undercarriage (±15°) are specified over the rigid axle with the stabilizers down. Indicated loads based on the ISO 10567 standard and do not exceed 75% of tipping or 87% of hydraulic capacity. The lift capacity values indicated are attained at the corresponding operating temperature. This operating temperature is ensured by continuous movement of the boom. Weights of fitted attachments (grabs, load hooks, etc.) and load accommodation attachment are to be deducted from the lift capacity values. The lift capacity of the unit is limited by its stability, the lifting capability of the hydraulic elements, or the maximum permissible lifting capacity of the load hook.

LH 80 M – Equipment AG22

Port – Kinematic 2D



Dimensions



Operating weight

The operating weight includes the basic machine with 4 point outriggers, hydr. cab elevation, 4 solid tires, angled boom 41', straight stick 361" and grab for loose material GMZ 80 / 7.85 yd³.

Weight	182,600 lb
--------	------------

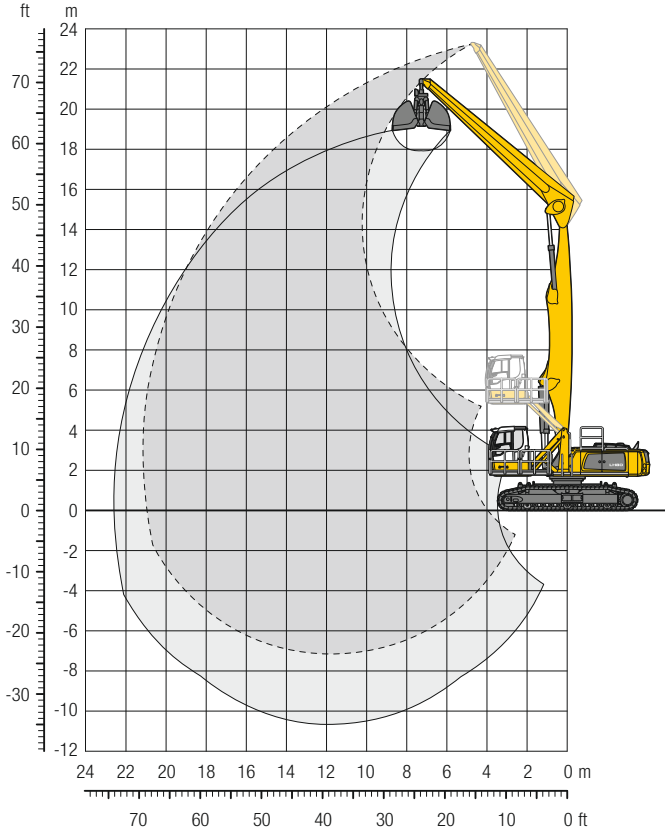
ft	Undercarriage	20 ft	25 ft	30 ft	35 ft	40 ft	45 ft	50 ft	55 ft	60 ft	65 ft	70 ft	75 ft	80 ft	ft in
75	4 pt. outriggers down														21.1* 21.1*
70	4 pt. outriggers down					21.1* 21.1*									18.7* 18.7*
65	4 pt. outriggers down					23.5* 23.5*	21.1* 21.1*								17.3* 17.3*
60	4 pt. outriggers down						21.4* 21.4*	20.2* 20.2*							16.4* 16.4*
55	4 pt. outriggers down						21.1* 21.1*	19.9* 19.9*	18.9* 18.9*						15.8* 15.8*
50	4 pt. outriggers down						21.0* 21.0*	19.7* 19.7*	18.7* 18.7*	17.7* 17.7*					15.4* 15.4*
45	4 pt. outriggers down						21.1* 21.1*	19.8* 19.8*	18.6* 18.6*	17.7* 17.7*					15.2* 15.2*
40	4 pt. outriggers down					23.1* 23.1*	21.4* 21.4*	19.9* 19.9*	18.7* 18.7*	17.7* 17.7*	16.9* 16.9*				15.0* 15.0*
35	4 pt. outriggers down					23.6* 23.6*	21.7* 21.7*	20.2* 20.2*	18.9* 18.9*	17.9* 17.9*	17.0* 17.0*				15.0* 15.0*
30	4 pt. outriggers down				26.8* 26.8*	24.3* 24.3*	22.3* 22.3*	20.6* 20.6*	19.2* 19.2*	18.1* 18.1*	17.1* 17.1*	16.2* 16.2*			15.0* 15.0*
25	4 pt. outriggers down				27.9* 27.9*	25.1* 25.1*	22.9* 22.9*	21.1* 21.1*	19.6* 19.6*	18.3* 18.3*	17.2* 17.2*	16.3* 16.3*			15.2* 15.2*
20	4 pt. outriggers down		39.2* 39.2*	33.5* 33.5*	29.3* 29.3*	26.1* 26.1*	23.6* 23.6*	21.6* 21.6*	20.0* 20.0*	18.6* 18.6*	17.4* 17.4*	16.4* 16.4*			15.4* 15.4*
15	4 pt. outriggers down	52.7* 52.7*	42.4* 42.4*	35.6* 35.6*	30.8* 30.8*	27.2* 27.2*	24.4* 24.4*	22.2* 22.2*	20.4* 20.4*	18.9* 18.9*	17.6* 17.6*	16.4 16.5*			15.1 15.8*
10	4 pt. outriggers down	57.9* 57.9*	45.6* 45.6*	37.7* 37.7*	32.2* 32.2*	28.3* 28.3*	25.2* 25.2*	22.8* 22.8*	20.9* 20.9*	19.2* 19.2*	17.8* 17.8*	16.1 16.6*			14.8 15.7*
5	4 pt. outriggers down	45.8* 45.8*	48.4* 48.4*	39.6* 39.6*	33.6* 33.6*	29.3* 29.3*	26.0* 26.0*	23.4* 23.4*	21.3* 21.3*	19.5* 19.5*	17.9 18.0*	15.8 16.6*			14.7 15.6*
0	4 pt. outriggers down	30.0* 30.0*	50.5* 50.5*	41.2* 41.2*	34.8* 34.8*	30.1* 30.1*	26.6* 26.6*	23.8* 23.8*	21.6* 21.6*	19.7* 19.7*	17.5 18.0*	15.5 16.4*			14.7 15.5*
-5	4 pt. outriggers down	26.3* 26.3*	45.6* 45.6*	42.2* 42.2*	35.6* 35.6*	30.8* 30.8*	27.1* 27.1*	24.2* 24.2*	21.8* 21.8*	19.4 19.7*	17.2 17.9*	15.3 16.1*			14.8 15.4*
-10	4 pt. outriggers down	26.0* 26.0*	40.1* 40.1*	42.5* 42.5*	35.9* 35.9*	31.0* 31.0*	27.2* 27.2*	24.2* 24.2*	21.5 21.7*	19.0 19.6*	16.9 17.5*	15.2 15.4*			15.1 15.2*
-15	4 pt. outriggers down	26.9* 26.9*	38.6* 38.6*	42.0* 42.0*	35.7* 35.7*	30.8* 30.8*	27.0* 27.0*	24.0* 24.0*	21.1 21.4*	18.7 19.0*	16.7 16.8*				14.9* 14.9*
-20	4 pt. outriggers down	28.5* 28.5*	38.8* 38.8*	40.5* 40.5*	34.6* 34.6*	30.0* 30.0*	26.3* 26.3*	23.2* 23.2*	20.5* 20.5*	18.0* 18.0*	15.3* 15.3*				14.3* 14.3*
-25	4 pt. outriggers down		40.0* 40.0*	37.8* 37.8*	32.6* 32.6*	28.4* 28.4*	24.8* 24.8*	21.8* 21.8*	19.0* 19.0*	16.2* 16.2*					15.2* 15.2*
-30	4 pt. outriggers down				29.4* 29.4*	25.7* 25.7*	22.4* 22.4*	19.4* 19.4*							19.1* 19.1*

Height Can be slewed through 360° In longitudinal position of undercarriage Max. reach * Limited by hydr. capacity

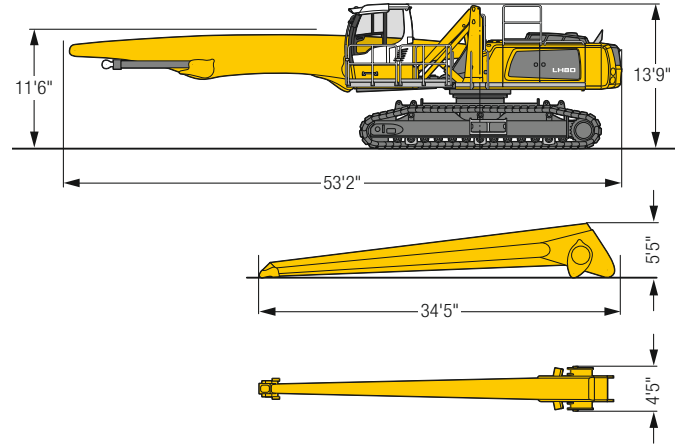
The lift capacities on the stick end without attachment are stated in lb x 1,000 and are valid on a firm, level supporting surface with blocked oscillating axle. These capacities can be slewed through 360° with the undercarriage in the transverse position. Capacities in the longitudinal position of the undercarriage (±15°) are specified over the rigid axle with the stabilizers down. Indicated loads based on the ISO 10567 standard and do not exceed 75% of tipping or 87% of hydraulic capacity. The lift capacity values indicated are attained at the corresponding operating temperature. This operating temperature is ensured by continuous movement of the boom. Weights of fitted attachments (grabs, load hooks, etc.) and load accommodation attachment are to be deducted from the lift capacity values. The lift capacity of the unit is limited by its stability, the lifting capability of the hydraulic elements, or the maximum permissible lifting capacity of the load hook.

LH 80 C SW – Equipment GG21

Port – Kinematic 2A



Dimensions



Operating weight and ground pressure

The operating weight includes the basic machine with hydr. cab elevation, straight boom 37'9", straight stick 32'10" and grab for loose material GMZ 80 / 7.85 yd³.

Weight	188,700 lb
Pad width	30"
Ground pressure	on request

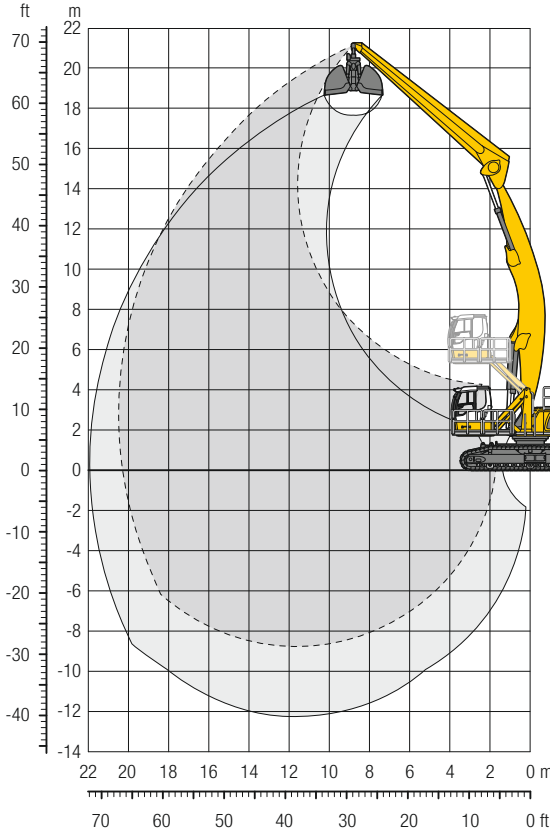
ft	Undercarriage	20 ft		25 ft		30 ft		35 ft		40 ft		45 ft		50 ft		55 ft		60 ft		65 ft		70 ft		75 ft		80 ft		ft in																
		SW	SW	SW	SW	SW	SW	SW	SW	SW	SW	SW	SW	SW	SW	SW	SW	SW	SW	SW	SW	SW	SW	SW	SW	SW	SW	SW																
75	SW	36.0*	36.0*																									35.5*	35.5*	20' 5"														
70	SW			35.1*	35.1*	30.3*	30.3*																							26.6*	26.6*	32' 8"												
65	SW					33.8*	33.8*	30.1*	30.1*	24.3*	24.3*																				22.9*	22.9*	40'10"											
60	SW							32.7*	32.7*	29.4*	29.4*	24.1*	24.1*																			20.8*	20.8*	47'										
55	SW							32.1*	32.1*	29.4*	29.4*	27.2*	27.2*	22.9*	22.9*																		19.4*	19.4*	51'11"									
50	SW							31.7*	31.7*	29.0*	29.0*	26.9*	26.9*	25.1*	25.1*	20.6*	20.6*																	18.5*	18.5*	56'								
45	SW							31.7*	31.7*	28.9*	28.9*	26.7*	26.7*	24.9*	24.9*	23.4*	23.4*																		17.8*	17.8*	59' 4"							
40	SW							31.9*	31.9*	29.1*	29.1*	26.8*	26.8*	24.9*	24.9*	23.3*	23.3*	20.9	21.8*																	17.3*	17.3*	62' 1"						
35	SW							32.4*	32.4*	29.4*	29.4*	27.0*	27.0*	25.0*	25.0*	23.3*	23.3*	21.0	21.8*																		17.0*	17.0*	64' 5"					
30	SW					36.7*	36.7*	33.2*	33.2*	30.0*	30.0*	27.4*	27.4*	25.3*	25.3*	23.4*	23.4*	20.8	21.8*	17.9	20.0*																16.9*	16.9*	66' 2"					
25	SW					38.7*	38.7*	34.2*	34.2*	30.7*	30.7*	27.9*	27.9*	25.6*	25.6*	23.6*	23.6*	20.6	21.8*	17.8	20.1*																	16.5	16.8*	67' 7"				
20	SW	32.2*	32.2*	40.6*	40.6*	40.5*	40.5*	35.4*	35.4*	31.6*	31.6*	28.5*	28.5*	26.0*	26.0*	23.5	23.8*	20.3	21.9*	17.6	20.0*																	15.9	16.9*	68' 7"				
15	SW	49.8*	49.8*	50.4*	50.4*	42.4*	42.4*	36.8*	36.8*	32.5*	32.5*	29.1*	29.1*	26.4*	26.4*	22.9	24.0*	19.9	21.9*	17.4	19.8*																		15.6	17.1*	69' 2"			
10	SW	67.4*	67.4*	53.4*	53.4*	44.3*	44.3*	38.0*	38.0*	33.3*	33.3*	29.6*	29.6*	26.0	26.6*	22.4	24.1*	19.5	21.8*	17.1	19.5*																			15.4	16.8*	69' 5"		
5	SW	50.9*	50.9*	55.7*	55.7*	45.8*	45.8*	39.0*	39.0*	33.9*	33.9*	29.5	30.0*	25.2	26.8*	21.8	24.1*	19.1	21.6*	16.9	19.0*																				15.3	15.9*	69' 4"	
0	SW	28.2*	28.2*	56.8*	56.8*	46.6*	46.6*	39.5*	39.5*	33.8	34.2*	28.6	30.1*	24.5	26.7*	21.4	23.7*	18.8	21.0*	16.7	18.1*																				14.8*	14.8*	68'10"	
- 5	SW	24.9*	24.9*	52.4*	52.4*	46.4*	46.4*	39.3*	39.3*	32.7	33.9*	27.8	29.7*	24.0	26.1*	20.9	23.0*	18.5	20.0*	16.5	16.5*																					13.5*	13.5*	67'11"
-10	SW	25.8*	25.8*	45.5*	45.5*	44.8*	44.8*	38.1*	38.1*	31.9	32.9*	27.2	28.7*	23.5	25.0*	20.6	21.7*	18.3	18.4*	14.1*	14.1*																					14.0*	14.0*	65' 1"
-15	SW	28.2*	28.2*	44.6*	44.6*	41.6*	41.6*	35.7*	35.7*	30.9*	30.9*	26.8	26.8*	23.1*	23.1*	19.6*	19.6*	15.7*	15.7*																							15.2*	15.2*	60' 7"
-20	SW			41.9*	41.9*	36.6*	36.6*	31.8*	31.8*	27.6*	27.6*	23.7*	23.7*	20.1*	20.1*																											17.5*	17.5*	53' 5"

Height Can be slewed through 360° In longitudinal position of undercarriage Max. reach * Limited by hydr. capacity

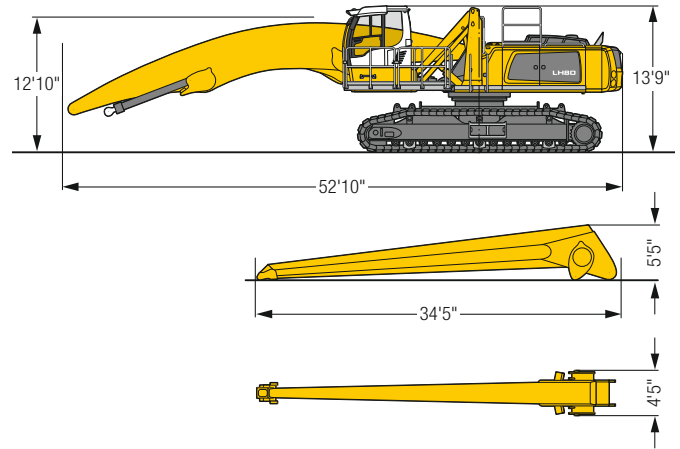
The lift capacities on the stick end without attachment are stated in lb x 1,000 and can be slewed through 360° on a firm, level supporting surface. Capacities are valid for 30" wide flat pads. Indicated loads based on the ISO 10567 standard and do not exceed 75% of tipping or 87% of hydraulic capacity. The lift capacity values indicated are attained at the corresponding operating temperature. This operating temperature is ensured by continuous movement of the boom. Weights of fitted attachments (grabs, load hooks, etc.) and load accommodation attachment are to be deducted from the lift capacity values. The lift capacity of the unit is limited by its stability, the lifting capability of the hydraulic elements, or the maximum permissible lifting capacity of the load hook.

LH 80 C SW – Equipment AG21

Port – Kinematic 2D



Dimensions



Operating weight and ground pressure

The operating weight includes the basic machine with hydr. cab elevation, angled boom 37°, straight stick 32'10" and grab for loose material GMZ 80 / 7.85 yd³.

Weight	190,200 lb
Pad width	30"
Ground pressure	on request

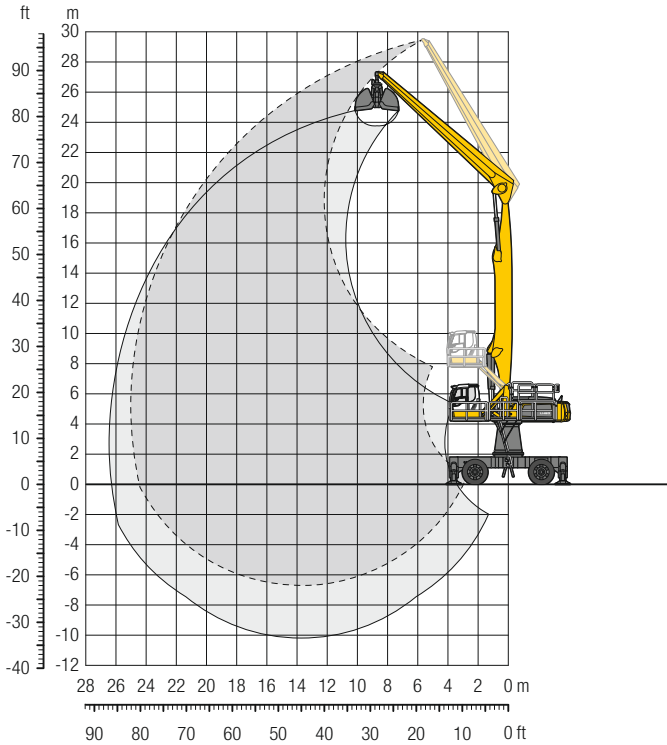
ft	Undercarriage	20 ft	25 ft	30 ft	35 ft	40 ft	45 ft	50 ft	55 ft	60 ft	65 ft	70 ft	75 ft	80 ft	ft in
70	SW														
65	SW				23,8* 23,8*										21,6* 21,6* 36'11"
60	SW					24,0* 24,0*									19,7* 19,7* 43' 8"
55	SW					24,7* 24,7*	23,3* 23,3*								18,6* 18,6* 49"
50	SW					24,3* 24,3*	22,9* 22,9*	21,8* 21,8*							17,8* 17,8* 53' 4"
45	SW					24,2* 24,2*	22,7* 22,7*	21,6* 21,6*	20,1* 20,1*						17,3* 17,3* 56'10"
40	SW					24,3* 24,3*	22,8* 22,8*	21,6* 21,6*	20,6* 20,6*						17,0* 17,0* 59' 8"
35	SW					24,7* 24,7*	23,1* 23,1*	21,7* 21,7*	20,6* 20,6*	19,7* 19,7*					16,9* 16,9* 62"
30	SW				27,7* 27,7*	25,4* 25,4*	23,6* 23,6*	22,1* 22,1*	20,8* 20,8*	19,8* 19,8*					16,9* 16,9* 63'11"
25	SW			32,1* 32,1*	28,9* 28,9*	26,3* 26,3*	24,2* 24,2*	22,5* 22,5*	21,1* 21,1*	20,0* 20,0*	17,7* 17,7*				17,0* 17,0* 65' 4"
20	SW		39,4* 39,4*	34,2* 34,2*	30,3* 30,3*	27,4* 27,4*	25,0* 25,0*	23,1* 23,1*	21,6* 21,6*	20,2* 20,2*	17,9 19,1*				17,2 17,2* 66' 5"
15	SW	52,8* 52,8*	43,0* 43,0*	36,6* 36,6*	32,0* 32,0*	28,5* 28,5*	25,9* 25,9*	23,7* 23,7*	22,0* 22,0*	20,2 20,5*	17,6 19,2*				16,6 17,5* 67"
10	SW	59,0* 59,0*	46,8* 46,8*	39,1* 39,1*	33,7* 33,7*	29,8* 29,8*	26,8* 26,8*	24,4* 24,4*	22,5* 22,5*	19,8 20,8*	17,3 19,3*				16,3 18,0* 67' 2"
5	SW	64,4* 64,4*	50,3* 50,3*	41,4* 41,4*	35,4* 35,4*	31,0* 31,0*	27,6* 27,6*	25,0* 25,0*	22,2 22,9*	19,3 21,0*	17,0 19,4*				16,1 18,6* 67' 1"
0	SW	41,1* 41,1*	53,0* 53,0*	43,4* 43,4*	36,8* 36,8*	32,0* 32,0*	28,4* 28,4*	24,9 25,5*	21,6 23,2*	18,9 21,2*	16,7 19,2*				16,1 18,5* 66' 7"
- 5	SW	33,7* 33,7*	54,7* 54,7*	44,7* 44,7*	37,8* 37,8*	32,7* 32,7*	28,1 28,9*	24,2 25,8*	21,1 23,3*	18,6 21,0*	16,5 18,7*				16,3 18,4* 65' 8"
-10	SW	32,3* 32,3*	53,2* 53,2*	45,2* 45,2*	38,2* 38,2*	32,2 33,1*	27,4 29,1*	23,7 25,8*	20,7 23,1*	18,3 20,6*					16,6 18,1* 64' 5"
-15	SW	33,1* 33,1*	49,8* 49,8*	44,7* 44,7*	37,8 37,9*	31,5 32,8*	26,8 28,7*	23,3 25,4*	20,4 22,4*	18,2 19,5*					17,2 17,7* 62' 8"
-20	SW	34,8* 34,8*	49,6* 49,6*	43,0* 43,0*	36,7* 36,7*	31,1 31,7*	26,5 27,7*	23,0 24,3*	20,3 21,0*	17,5* 17,5*					17,1* 17,1* 60' 6"
-25	SW		46,6* 46,6*	39,7* 39,7*	34,2* 34,2*	29,6* 29,6*	25,7* 25,7*	22,1* 22,1*							19,5* 19,5* 53' 6"

Height Can be slewed through 360° In longitudinal position of undercarriage Max. reach * Limited by hydr. capacity

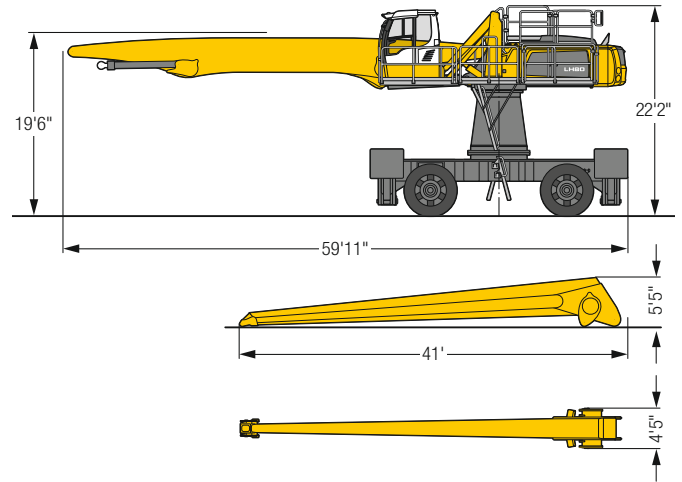
The lift capacities on the stick end without attachment are stated in lb x 1,000 and can be slewed through 360° on a firm, level supporting surface. Capacities are valid for 30" wide flat pads. Indicated loads based on the ISO 10567 standard and do not exceed 75% of tipping or 87% of hydraulic capacity. The lift capacity values indicated are attained at the corresponding operating temperature. This operating temperature is ensured by continuous movement of the boom. Weights of fitted attachments (grabs, load hooks, etc.) and load accommodation attachment are to be deducted from the lift capacity values. The lift capacity of the unit is limited by its stability, the lifting capability of the hydraulic elements, or the maximum permissible lifting capacity of the load hook.

LH 80 M HR – Equipment GG25

Port – Kinematic 2A



Dimensions



Operating weight

The operating weight includes the basic machine with 4 point outriggers, turret 6'7", hydr. cab elevation, 4 solid tires, straight boom 44'3", straight stick 39'4" and grab for loose material GMZ 80 / 5.23yd³.

Weight 207,100 lb

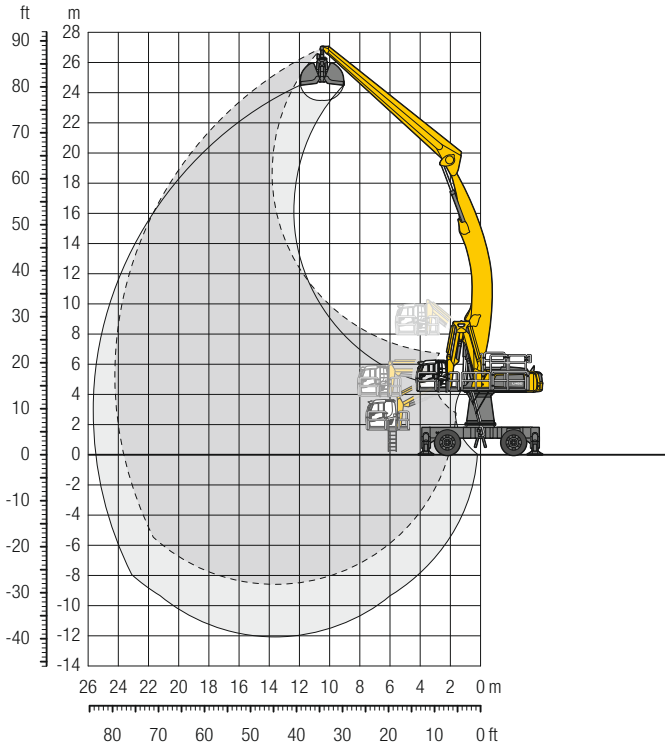
ft	Undercarriage	20ft	25ft	30ft	35ft	40ft	45ft	50ft	55ft	60ft	65ft	70ft	75ft	80ft	ft in
95	4 pt. outriggers down		28.2* 28.2*												28.1* 28.1* 25' 1"
90	4 pt. outriggers down			28.0* 28.0*	24.3* 24.3*										21.9* 21.9* 37' 5"
85	4 pt. outriggers down				27.2* 27.2*	24.3* 24.3*	20.2* 20.2*								19.0* 19.0* 46'
80	4 pt. outriggers down					26.4* 26.4*	23.9* 23.9*	20.3* 20.3*							17.3* 17.3* 52' 8"
75	4 pt. outriggers down					27.1* 27.1*	24.6* 24.6*	22.5* 22.5*	19.8* 19.8*						16.1* 16.1* 58' 2"
70	4 pt. outriggers down					26.7* 26.7*	24.3* 24.3*	22.3* 22.3*	20.6* 20.6*	18.7* 18.7*					15.3* 15.3* 62' 10"
65	4 pt. outriggers down					26.6* 26.6*	24.1* 24.1*	22.1* 22.1*	20.4* 20.4*	19.0* 19.0*	17.1* 17.1*				14.7* 14.7* 66' 8"
60	4 pt. outriggers down						24.1* 24.1*	22.1* 22.1*	20.4* 20.4*	18.9* 18.9*	17.6* 17.6*	14.3* 14.3*			14.2* 14.2* 70'
55	4 pt. outriggers down					26.6* 26.6*	24.1* 24.1*	22.1* 22.1*	20.4* 20.4*	18.9* 18.9*	17.6* 17.6*	16.4* 16.4*			13.9* 13.9* 72' 11"
50	4 pt. outriggers down					26.8* 26.8*	24.3* 24.3*	22.2* 22.2*	20.4* 20.4*	18.9* 18.9*	17.6* 17.6*	16.3* 16.3*	14.1* 14.1*		13.6* 13.6* 75' 4"
45	4 pt. outriggers down					27.1* 27.1*	24.5* 24.5*	22.4* 22.4*	20.5* 20.5*	19.0* 19.0*	17.6* 17.6*	16.3* 16.3*	15.1* 15.1*		13.5* 13.5* 77' 4"
40	4 pt. outriggers down				30.1* 30.1*	27.6* 27.6*	24.8* 24.8*	22.6* 22.6*	20.7* 20.7*	19.1* 19.1*	17.6* 17.6*	16.3* 16.3*	15.1* 15.1*		13.4* 13.4* 78' 11"
35	4 pt. outriggers down			29.0* 29.0*	31.7* 31.7*	28.1* 28.1*	25.2* 25.2*	22.9* 22.9*	20.9* 20.9*	19.2* 19.2*	17.7* 17.7*	16.3* 16.3*	15.0* 15.0*	13.5* 13.5*	13.4* 13.4* 80' 1"
30	4 pt. outriggers down		27.7* 27.7*	33.1* 33.1*	32.6* 32.6*	28.7* 28.7*	25.6* 25.6*	23.2* 23.2*	21.1* 21.1*	19.3* 19.3*	17.8* 17.8*	16.3* 16.3*	15.0* 15.0*	13.4* 13.4*	12.9* 12.9* 81' 1"
25	4 pt. outriggers down	28.8* 28.8*	37.3* 37.3*	39.0* 39.0*	33.5* 33.5*	29.3* 29.3*	26.1* 26.1*	23.4* 23.4*	21.3* 21.3*	19.4* 19.4*	17.8* 17.8*	16.3* 16.3*	14.9* 14.9*	13.2* 13.2*	12.4* 12.4* 81' 8"
20	4 pt. outriggers down	61.7* 61.7*	48.8* 48.8*	40.3* 40.3*	34.4* 34.4*	29.9* 29.9*	26.5* 26.5*	23.7* 23.7*	21.4* 21.4*	19.5* 19.5*	17.8* 17.8*	16.2* 16.2*	14.7* 14.7*	12.9* 12.9*	11.9* 11.9* 82'
15	4 pt. outriggers down	39.7* 39.7*	50.4* 50.4*	41.4* 41.4*	35.1* 35.1*	30.4* 30.4*	26.8* 26.8*	23.9* 23.9*	21.5* 21.5*	19.5* 19.5*	17.7* 17.7*	16.0* 16.0*	14.4* 14.4*	12.4* 12.4*	11.3* 11.3* 82'
10	4 pt. outriggers down	17.3* 17.3*	50.3* 50.3*	42.0* 42.0*	35.5* 35.5*	30.7* 30.7*	26.9* 26.9*	23.9* 23.9*	21.5* 21.5*	19.3* 19.3*	17.5* 17.5*	15.7* 15.7*	13.9* 13.9*	11.7* 11.7*	10.5* 10.5* 81' 8"
5	4 pt. outriggers down	14.3* 14.3*	30.9* 30.9*	42.0* 42.0*	35.5* 35.5*	30.6* 30.6*	26.8* 26.8*	23.8* 23.8*	21.2* 21.2*	19.0* 19.0*	17.1* 17.1*	15.2* 15.2*	13.2* 13.2*	10.6* 10.6*	9.7* 9.7* 81' 1"
0	4 pt. outriggers down	14.7* 14.7*	26.3* 26.3*	41.1* 41.1*	34.9* 34.9*	30.1* 30.1*	26.4* 26.4*	23.3* 23.3*	20.8* 20.8*	18.5* 18.5*	16.4* 16.4*	14.4* 14.4*	12.2* 12.2*	8.9* 8.9*	8.8* 8.8* 80' 2"
-5	4 pt. outriggers down	16.2* 16.2*	25.6* 25.6*	39.2* 39.2*	33.6* 33.6*	29.1* 29.1*	25.5* 25.5*	22.5* 22.5*	19.9* 19.9*	17.6* 17.6*	15.5* 15.5*	13.3* 13.3*	10.7* 10.7*		9.0* 9.0* 77' 5"
-10	4 pt. outriggers down	18.3* 18.3*	26.5* 26.5*	36.2* 36.2*	31.4* 31.4*	27.4* 27.4*	24.1* 24.1*	21.2* 21.2*	18.6* 18.6*	16.3* 16.3*	14.0* 14.0*	11.6* 11.6*			9.6* 9.6* 73' 4"
-15	4 pt. outriggers down		28.2* 28.2*	31.9* 31.9*	28.2* 28.2*	24.8* 24.8*	21.9* 21.9*	19.2* 19.2*	16.8* 16.8*	14.4* 14.4*	12.0* 12.0*				10.7* 10.7* 67' 5"
-20	4 pt. outriggers down				23.8* 23.8*	21.3* 21.3*	18.8* 18.8*	16.4* 16.4*	14.1* 14.1*						13.1* 13.1* 57' 2"

Height Can be slewed through 360° In longitudinal position of undercarriage Max. reach * Limited by hydr. capacity

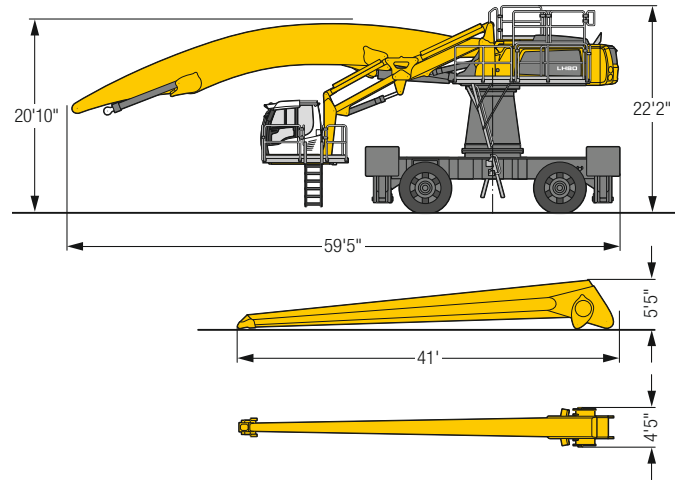
The lift capacities on the stick end without attachment are stated in lb x 1,000 and are valid on a firm, level supporting surface with blocked oscillating axle. These capacities can be slewed through 360° with the undercarriage in the transverse position. Capacities in the longitudinal position of the undercarriage (±15°) are specified over the rigid axle with the stabilizers down. Indicated loads based on the ISO 10567 standard and do not exceed 75% of tipping or 87% of hydraulic capacity. The lift capacity values indicated are attained at the corresponding operating temperature. This operating temperature is ensured by continuous movement of the boom. Weights of fitted attachments (grabs, load hooks, etc.) and load accommodation attachment are to be deducted from the lift capacity values. The lift capacity of the unit is limited by its stability, the lifting capability of the hydraulic elements, or the maximum permissible lifting capacity of the load hook.

LH 80 M HR – Equipment AG24

Port – Kinematic 2D




Dimensions



Operating weight

The operating weight includes the basic machine with 4 point outriggers, turret 6'7", hydr. cab elevation, 4 solid tires, angled boom 44'3", straight stick 39'4" and grab for loose material GMZ 80 / 5.23yd³.

Weight 214,400 lb

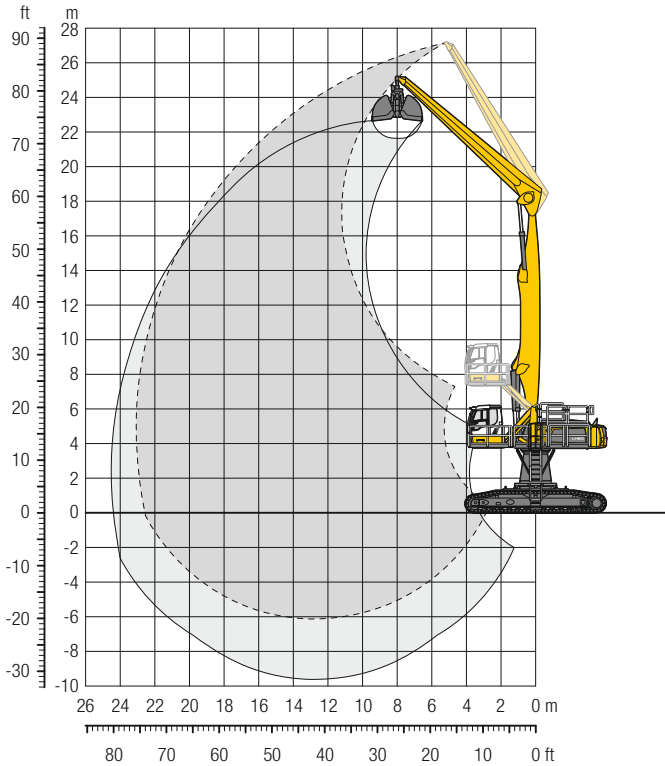
ft	Undercarriage	20ft	25ft	30ft	35ft	40ft	45ft	50ft	55ft	60ft	65ft	70ft	75ft	80ft		ft in	
90	4 pt. outriggers down																
85	4 pt. outriggers down					18,8* 18,8*										17,9* 17,9*	41' 1"
80	4 pt. outriggers down						19,1* 19,1*									16,3* 16,3*	48' 6"
75	4 pt. outriggers down						20,4* 20,4*	19,0* 19,0*								15,3* 15,3*	54' 5"
70	4 pt. outriggers down						20,1* 20,1*	18,7* 18,7*	17,5* 17,5*							14,6* 14,6*	59' 4"
65	4 pt. outriggers down							18,5* 18,5*	17,3* 17,3*	16,3* 16,3*						14,1* 14,1*	63' 5"
60	4 pt. outriggers down							18,4* 18,4*	17,2* 17,2*	16,2* 16,2*	15,4* 15,4*					13,8* 13,8*	66'11"
55	4 pt. outriggers down						19,9* 19,9*	18,4* 18,4*	17,2* 17,2*	16,2* 16,2*	15,3* 15,3*					13,6* 13,6*	69'11"
50	4 pt. outriggers down						20,1* 20,1*	18,6* 18,6*	17,3* 17,3*	16,2* 16,2*	15,3* 15,3*	14,5* 14,5*				13,4* 13,4*	72' 5"
45	4 pt. outriggers down						20,4* 20,4*	18,8* 18,8*	17,4* 17,4*	16,3* 16,3*	15,4* 15,4*	14,5* 14,5*				13,4* 13,4*	74' 6"
40	4 pt. outriggers down					22,8* 22,8*	20,8* 20,8*	19,1* 19,1*	17,7* 17,7*	16,5* 16,5*	15,5* 15,5*	14,6* 14,6*	13,8* 13,8*			13,4* 13,4*	76' 1"
35	4 pt. outriggers down					23,5* 23,5*	21,3* 21,3*	19,5* 19,5*	18,0* 18,0*	16,7* 16,7*	15,6* 15,6*	14,7* 14,7*	13,9* 13,9*			13,5* 13,5*	77' 6"
30	4 pt. outriggers down			31,2* 31,2*	27,3* 27,3*	24,3* 24,3*	21,9* 21,9*	19,9* 19,9*	18,3* 18,3*	17,0* 17,0*	15,8* 15,8*	14,8* 14,8*	13,9* 13,9*			13,4* 13,4*	78' 5"
25	4 pt. outriggers down		39,1* 39,1*	32,9* 32,9*	28,5* 28,5*	25,1* 25,1*	22,5* 22,5*	20,4* 20,4*	18,7* 18,7*	17,2* 17,2*	16,0* 16,0*	15,0* 15,0*	14,0* 14,0*			13,3* 13,3*	79' 1"
20	4 pt. outriggers down	52,7* 52,7*	41,8* 41,8*	34,7* 34,7*	29,7* 29,7*	26,0* 26,0*	23,1* 23,1*	20,9* 20,9*	19,0* 19,0*	17,5* 17,5*	16,2* 16,2*	15,1* 15,1*	14,1* 14,1*			13,2* 13,2*	79' 5"
15	4 pt. outriggers down	56,8* 56,8*	44,3* 44,3*	36,4* 36,4*	30,9* 30,9*	26,9* 26,9*	23,8* 23,8*	21,4* 21,4*	19,4* 19,4*	17,8* 17,8*	16,4* 16,4*	15,2* 15,2*	14,1* 14,1*			13,1* 13,1*	79' 5"
10	4 pt. outriggers down	29,7* 29,7*	46,4* 46,4*	37,8* 37,8*	31,9* 31,9*	27,7* 27,7*	24,4* 24,4*	21,8* 21,8*	19,8* 19,8*	18,0* 18,0*	16,6* 16,6*	15,3* 15,3*	14,1* 14,1*			13,0* 13,0*	79' 1"
5	4 pt. outriggers down	22,7* 22,7*	42,1* 42,1*	39,0* 39,0*	32,8* 32,8*	28,3* 28,3*	24,9* 24,9*	22,2* 22,2*	20,0* 20,0*	18,2* 18,2*	16,7* 16,7*	15,3* 15,3*	13,9* 13,9*			12,9* 12,9*	78' 6"
0	4 pt. outriggers down	21,2* 21,2*	34,1* 34,1*	39,6* 39,6*	33,4* 33,4*	28,8* 28,8*	25,2* 25,2*	22,4* 22,4*	20,2* 20,2*	18,3* 18,3*	16,6* 16,6*	15,1* 15,1*	13,6* 13,6*			12,8* 12,8*	77' 6"
-5	4 pt. outriggers down	21,5* 21,5*	31,5* 31,5*	39,7* 39,7*	33,5* 33,5*	28,9* 28,9*	25,3* 25,3*	22,5* 22,5*	20,2* 20,2*	18,2* 18,2*	16,4* 16,4*	14,8* 14,8*	13,1* 13,1*			12,6* 12,6*	76' 2"
-10	4 pt. outriggers down	22,5* 22,5*	31,0* 31,0*	39,0* 39,0*	33,1* 33,1*	28,7* 28,7*	25,1* 25,1*	22,3* 22,3*	19,9* 19,9*	17,8* 17,8*	16,0* 16,0*	14,2* 14,2*			12,3* 12,3*	74' 6"	
-15	4 pt. outriggers down	23,9* 23,9*	31,5* 31,5*	37,5* 37,5*	32,1* 32,1*	27,9* 27,9*	24,5* 24,5*	21,7* 21,7*	19,3* 19,3*	17,2* 17,2*	15,2* 15,2*	13,1* 13,1*			11,9* 11,9*	72' 5"	
-20	4 pt. outriggers down		32,6* 32,6*	35,0* 35,0*	30,3* 30,3*	26,5* 26,5*	23,3* 23,3*	20,6* 20,6*	18,2* 18,2*	16,0* 16,0*	13,8* 13,8*				12,0* 12,0*	68' 7"	
-25	4 pt. outriggers down			31,5* 31,5*	27,6* 27,6*	24,3* 24,3*	21,4* 21,4*	18,8* 18,8*	16,4* 16,4*						14,1* 14,1*	59'11"	

 Height  Can be slewed through 360°  In longitudinal position of undercarriage  Max. reach * Limited by hydr. capacity

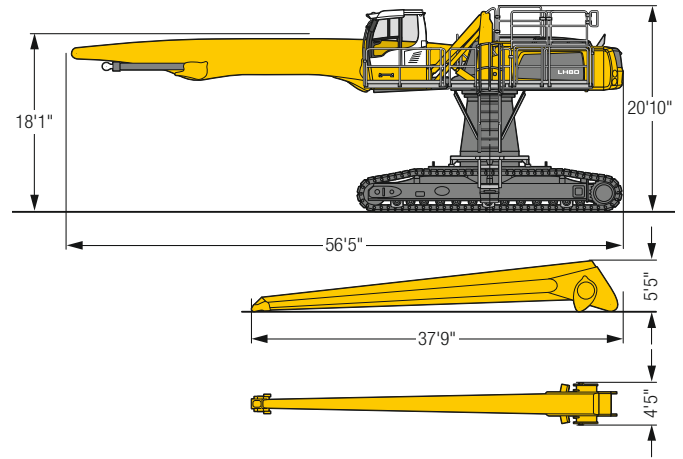
The lift capacities on the stick end without attachment are stated in lb x 1,000 and are valid on a firm, level supporting surface with blocked oscillating axle. These capacities can be slewed through 360° with the undercarriage in the transverse position. Capacities in the longitudinal position of the undercarriage (±15°) are specified over the rigid axle with the stabilizers down. Indicated loads based on the ISO 10567 standard and do not exceed 75% of tipping or 87% of hydraulic capacity. The lift capacity values indicated are attained at the corresponding operating temperature. This operating temperature is ensured by continuous movement of the boom. Weights of fitted attachments (grabs, load hooks, etc.) and load accommodation attachment are to be deducted from the lift capacity values. The lift capacity of the unit is limited by its stability, the lifting capability of the hydraulic elements, or the maximum permissible lifting capacity of the load hook.

LH 80 C HR – Equipment GG23

Port – Kinematic 2A



Dimensions



Operating weight and ground pressure

The operating weight includes the basic machine with turret 6'7", hydr. cab elevation, straight boom 41', straight stick 36'1" and grab for loose material GMZ 80/7.85 yd³.

Weight	208,200 lb
Pad width	30"
Ground pressure	on request

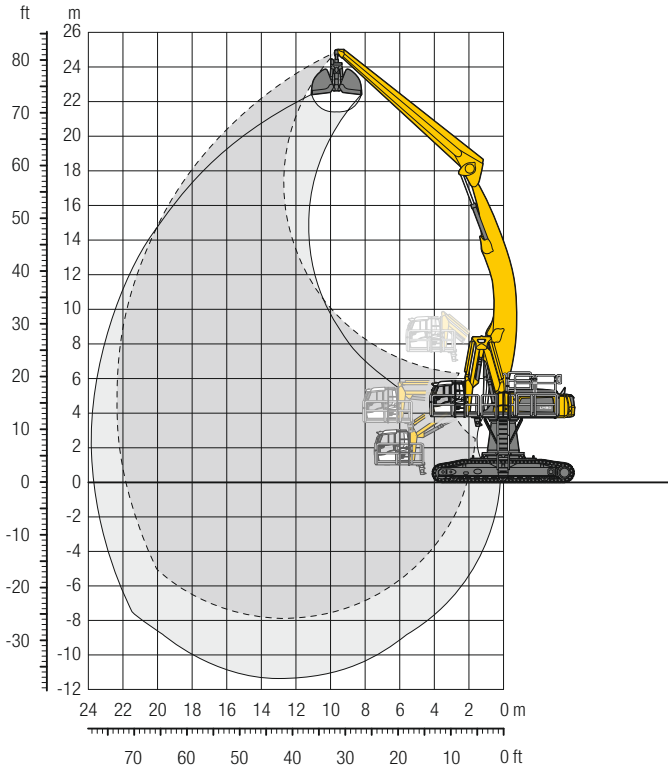
ft	Undercarriage	Reach (ft)														ft in			
		20ft	25ft	30ft	35ft	40ft	45ft	50ft	55ft	60ft	65ft	70ft	75ft	80ft	ft	in			
85	SW		31.7* 31.7*														26.7*	26.7*	29'11"
80	SW			30.8* 30.8*	27.2* 27.2*												22.2*	22.2*	39' 8"
75	SW				29.8* 29.8*	26.8* 26.8*	22.3* 22.3*										19.7*	19.7*	46'11"
70	SW				30.9* 30.9*	28.3* 28.3*	25.9* 25.9*	21.9* 21.9*									18.2*	18.2*	52' 8"
65	SW					27.8* 27.8*	25.5* 25.5*	23.6* 23.6*	20.8* 20.8*								17.1*	17.1*	57' 6"
60	SW					27.6* 27.6*	25.3* 25.3*	23.4* 23.4*	21.8* 21.8*	18.8* 18.8*							16.4*	16.4*	61' 5"
55	SW					27.5* 27.5*	25.2* 25.2*	23.3* 23.3*	21.7* 21.7*	20.3* 20.3*							15.8*	15.8*	64'10"
50	SW					27.6* 27.6*	25.3* 25.3*	23.3* 23.3*	21.7* 21.7*	20.2* 20.2*	18.9* 18.9*						15.5*	15.5*	67' 7"
45	SW				30.9* 30.9*	27.9* 27.9*	25.5* 25.5*	23.4* 23.4*	21.7* 21.7*	20.2* 20.2*	18.9* 18.9*						15.2*	15.2*	69'11"
40	SW				31.5* 31.5*	28.4* 28.4*	25.8* 25.8*	23.7* 23.7*	21.9* 21.9*	20.3* 20.3*	18.9* 18.9*	17.4* 17.4*					15.0*	15.0*	71'10"
35	SW			32.6* 32.6*	32.3* 32.3*	29.0* 29.0*	26.2* 26.2*	24.0* 24.0*	22.0* 22.0*	20.4* 20.4*	18.9* 18.9*	17.4* 17.4*					15.0*	15.0*	73' 4"
30	SW		30.8* 30.8*	36.0* 36.0*	33.3* 33.3*	29.7* 29.7*	26.7* 26.7*	24.3* 24.3*	22.3* 22.3*	20.5* 20.5*	18.9* 18.9*	17.4* 17.4*					15.0*	15.0*	74' 5"
25	SW	29.8* 29.8*	38.3* 38.3*	39.8* 39.8*	34.5* 34.5*	30.4* 30.4*	27.2* 27.2*	24.7* 24.7*	22.5* 22.5*	20.6* 20.6*	18.9* 18.9*	17.3* 17.3*	15.2* 15.2*				15.1*	15.1*	75' 2"
20	SW	60.2* 60.2*	49.7* 49.7*	41.5* 41.5*	35.6* 35.6*	31.2* 31.2*	27.8* 27.8*	25.0* 25.0*	22.7* 22.7*	20.7* 20.7*	18.9* 18.9*	17.1* 17.1*	14.9* 14.9*				14.5*	14.5*	75' 7"
15	SW	66.3* 66.3*	52.1* 52.1*	43.0* 43.0*	36.6* 36.6*	31.9* 31.9*	28.2* 28.2*	25.3* 25.3*	22.8* 22.8*	20.7* 20.7*	18.7* 18.7*	16.8* 16.8*	14.3* 14.3*				13.8*	13.8*	75' 8"
10	SW	27.1* 27.1*	53.7* 53.7*	44.0* 44.0*	37.3* 37.3*	32.3* 32.3*	28.5* 28.5*	25.4* 25.4*	22.8* 22.8*	20.5* 20.5*	18.4* 18.4*	16.3* 16.3*	13.4* 13.4*				13.0*	13.0*	75' 6"
5	SW	19.5* 19.5*	46.2* 46.2*	44.4* 44.4*	37.6* 37.6*	32.4* 32.4*	28.5* 28.5*	25.3* 25.3*	22.6* 22.6*	20.2* 20.2*	17.9* 17.9*	15.5* 15.5*					12.1*	12.1*	74'11"
0	SW	18.8* 18.8*	35.8* 35.8*	43.8* 43.8*	37.2* 37.2*	32.1* 32.1*	28.1* 28.1*	24.8* 24.8*	22.0* 22.0*	19.5* 19.5*	17.0* 17.0*	14.3* 14.3*					10.9*	10.9*	74'
- 5	SW	20.2* 20.2*	33.3* 33.3*	42.1* 42.1*	35.9* 35.9*	31.1* 31.1*	27.2* 27.2*	23.9* 23.9*	21.0* 21.0*	18.4* 18.4*	15.6* 15.6*	12.3* 12.3*					11.3*	11.3*	71' 2"
-10	SW	22.5* 22.5*	33.7* 33.7*	39.0* 39.0*	33.6* 33.6*	29.2* 29.2*	25.5* 25.5*	22.3* 22.3*	19.4* 19.4*	16.6* 16.6*	13.5* 13.5*						12.2*	12.2*	66'11"
-15	SW		35.5* 35.5*	34.4* 34.4*	30.1* 30.1*	26.4* 26.4*	23.0* 23.0*	20.0* 20.0*	17.0* 17.0*	14.0* 14.0*							13.8*	13.8*	60' 4"
-20	SW					22.3* 22.3*											19.5*	19.5*	44'10"

Height Can be slewed through 360° In longitudinal position of undercarriage Max. reach * Limited by hydr. capacity

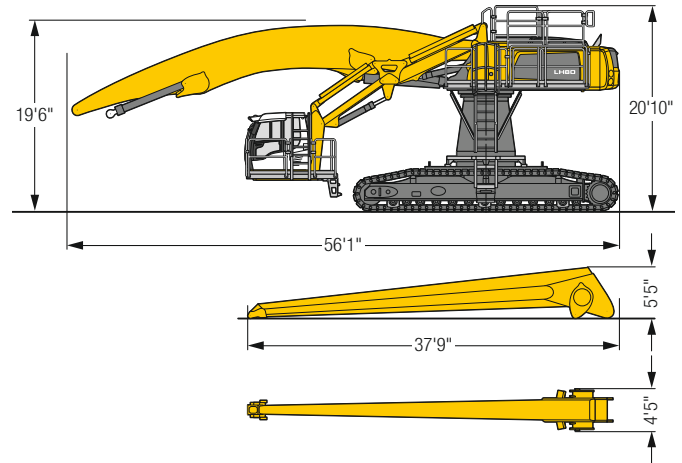
The lift capacities on the stick end without attachment are stated in lb x 1,000 and can be slewed through 360° on a firm, level supporting surface. Capacities are valid for 30" wide flat pads. Indicated loads based on the ISO 10567 standard and do not exceed 75% of tipping or 87% of hydraulic capacity. The lift capacity values indicated are attained at the corresponding operating temperature. This operating temperature is ensured by continuous movement of the boom. Weights of fitted attachments (grabs, load hooks, etc.) and load accommodation attachment are to be deducted from the lift capacity values. The lift capacity of the unit is limited by its stability, the lifting capability of the hydraulic elements, or the maximum permissible lifting capacity of the load hook.

LH 80 C HR – Equipment AG22

Port – Kinematic 2D



Dimensions



Operating weight and ground pressure

The operating weight includes the basic machine with turret 6'7", hydr. cab elevation, angled boom 41', straight stick 36'1" and grab for loose material GMZ 80/7.85 yd³.

Weight	215,300 lb
Pad width	30"
Ground pressure	on request

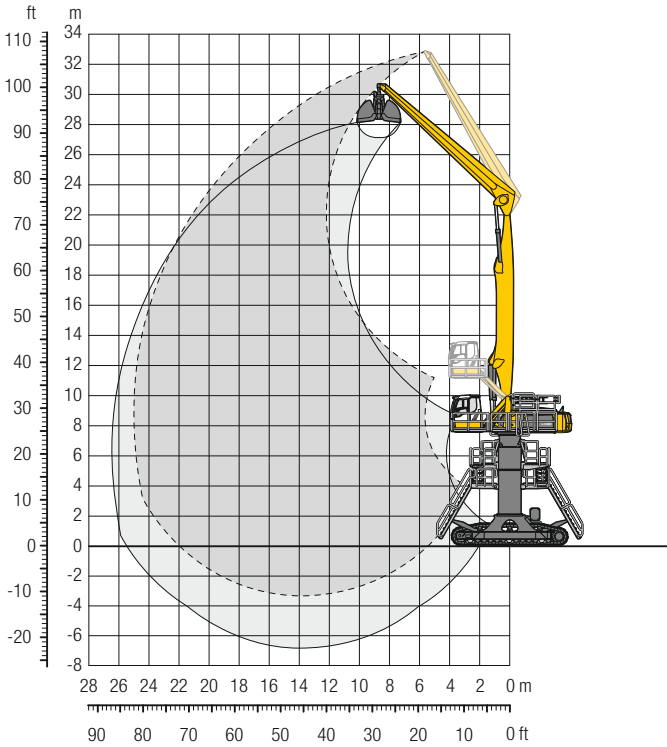
ft	Undercarriage	Reach (ft)														ft in								
		20ft	25ft	30ft	35ft	40ft	45ft	50ft	55ft	60ft	65ft	70ft	75ft	80ft	ft	in								
80	SW																20,9"	20,9"	34'11"					
75	SW					21,4"	21,4"											18,6"	18,6"	42'11"				
70	SW					23,5"	23,5"	21,3"	21,3"									17,3"	17,3"	49' 2"				
65	SW					21,4"	21,4"	20,2"	20,2"									16,4"	16,4"	54' 2"				
60	SW					21,1"	21,1"	19,9"	19,9"	18,8"	18,8"							15,8"	15,8"	58' 5"				
55	SW					21,0"	21,0"	19,7"	19,7"	18,7"	18,7"	17,8"	17,8"					15,4"	15,4"	61'11"				
50	SW					21,1"	21,1"	19,8"	19,8"	18,7"	18,7"	17,7"	17,7"					15,1"	15,1"	64'10"				
45	SW					23,1"	23,1"	21,4"	21,4"	19,9"	19,9"	18,8"	18,8"	17,8"	17,8"	16,9"	16,9"			67' 4"				
40	SW					23,6"	23,6"	21,8"	21,8"	20,2"	20,2"	19,0"	19,0"	17,9"	17,9"	17,0"	17,0"			69' 2"				
35	SW				26,8"	26,8"	24,3"	24,3"	22,3"	22,3"	20,6"	20,6"	19,2"	19,2"	18,1"	18,1"	17,1"	17,1"	16,2"	16,2"	70'10"			
30	SW				28,0"	28,0"	25,2"	25,2"	22,9"	22,9"	21,1"	21,1"	19,6"	19,6"	18,3"	18,3"	17,3"	17,3"	16,3"	16,3"	72' 2"			
25	SW		39,4"	39,4"	33,6"	33,6"	29,4"	29,4"	26,2"	26,2"	23,7"	23,7"	21,7"	21,7"	20,0"	20,0"	18,6"	18,6"	17,5"	17,5"	16,4"	16,4"	72'10"	
20	SW	53,1"	53,1"	42,6"	42,6"	35,7"	35,7"	30,9"	30,9"	27,3"	27,3"	24,5"	24,5"	22,3"	22,3"	20,5"	20,5"	19,0"	19,0"	17,7"	17,7"	16,5"	16,5"	73' 2"
15	SW	58,3"	58,3"	45,8"	45,8"	37,8"	37,8"	32,3"	32,3"	28,3"	28,3"	25,3"	25,3"	22,9"	22,9"	20,9"	20,9"	19,3"	19,3"	17,9"	17,9"	16,6"	16,6"	73' 4"
10	SW	43,8"	43,8"	48,5"	48,5"	39,7"	39,7"	33,7"	33,7"	29,3"	29,3"	26,0"	26,0"	23,4"	23,4"	21,3"	21,3"	19,5"	19,5"	18,0"	18,0"	16,6"	16,6"	73' 1"
5	SW	29,5"	29,5"	50,6"	50,6"	41,3"	41,3"	34,9"	34,9"	30,2"	30,2"	26,7"	26,7"	23,9"	23,9"	21,6"	21,6"	19,7"	19,7"	18,0"	18,0"	16,4"	16,4"	72' 6"
0	SW	26,2"	26,2"	45,1"	45,1"	42,3"	42,3"	35,6"	35,6"	30,8"	30,8"	27,1"	27,1"	24,2"	24,2"	21,8"	21,8"	19,7"	19,7"	17,9"	17,9"	16,1"	16,1"	71' 7"
- 5	SW	26,0"	26,0"	40,0"	40,0"	42,5"	42,5"	35,9"	35,9"	31,0"	31,0"	27,2"	27,2"	24,2"	24,2"	21,7"	21,7"	19,5"	19,5"	17,5"	17,5"	15,3"	15,3"	70' 2"
-10	SW	27,0"	27,0"	38,5"	38,5"	41,9"	41,9"	35,6"	35,6"	30,8"	30,8"	27,0"	27,0"	23,9"	23,9"	21,3"	21,3"	19,0"	19,0"	16,7"	16,7"			68' 6"
-15	SW	28,6"	28,6"	38,8"	38,8"	40,3"	40,3"	34,5"	34,5"	29,9"	29,9"	26,2"	26,2"	23,1"	23,1"	20,4"	20,4"	17,9"	17,9"	15,2"	15,2"			66' 5"
-20	SW			40,1"	40,1"	37,5"	37,5"	32,4"	32,4"	28,2"	28,2"	24,7"	24,7"	21,7"	21,7"	18,9"	18,9"	16,0"	16,0"					61' 1"
-25	SW					29,1"	29,1"	25,5"	25,5"	22,2"	22,2"													49' 2"

Height Can be slewed through 360° In longitudinal position of undercarriage Max. reach * Limited by hydr. capacity

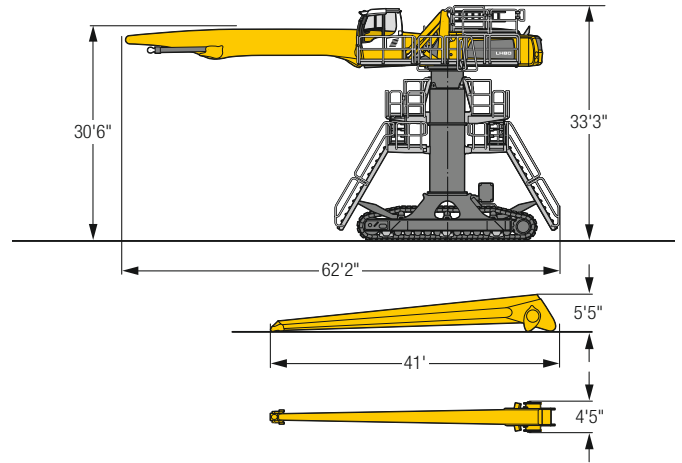
The lift capacities on the stick end without attachment are stated in lb x 1,000 and can be slewed through 360° on a firm, level supporting surface. Capacities are valid for 30" wide flat pads. Indicated loads based on the ISO 10567 standard and do not exceed 75% of tipping or 87% of hydraulic capacity. The lift capacity values indicated are attained at the corresponding operating temperature. This operating temperature is ensured by continuous movement of the boom. Weights of fitted attachments (grabs, load hooks, etc.) and load accommodation attachment are to be deducted from the lift capacity values. The lift capacity of the unit is limited by its stability, the lifting capability of the hydraulic elements, or the maximum permissible lifting capacity of the load hook.

LH 80 C Gantry – Equipment GG25

Port – Kinematic 2A



Dimensions



Operating weight and ground pressure

The operating weight includes the basic machine with hydr. cab elevation, straight boom 44'3", straight stick 39'4" and grab for loose material GMZ 80 / 5.23 yd³.

Weight	256,100 lb
Pad width	30"
Ground pressure	on request

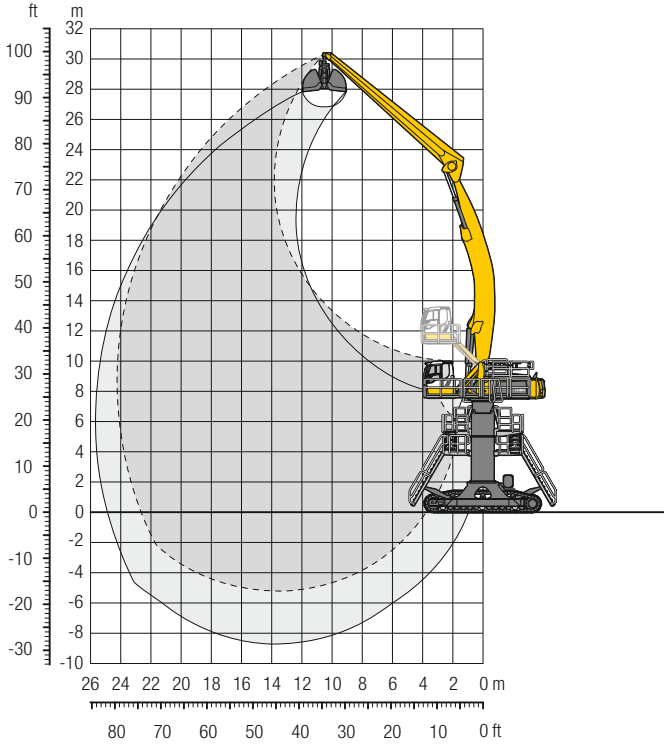
ft	Undercarriage	Reach (ft)														ft in			
		20ft	25ft	30ft	35ft	40ft	45ft	50ft	55ft	60ft	65ft	70ft	75ft	80ft	ft	in			
105	Gantry		29.1* 29.1*														26.4*	26.4*	27'11"
100	Gantry			28.4* 28.4*	25.1* 25.1*												21.2*	21.2*	39' 2"
95	Gantry				27.5* 27.5*	24.9* 24.9*	21.2* 21.2*										18.7*	18.7*	47' 5"
90	Gantry					26.7* 26.7*	24.4* 24.4*	21.0* 21.0*									17.0*	17.0*	53'10"
85	Gantry					27.0* 27.0*	24.5* 24.5*	22.5* 22.5*	20.4* 20.4*								15.9*	15.9*	59' 1"
80	Gantry					26.7* 26.7*	24.3* 24.3*	22.2* 22.2*	20.6* 20.6*	19.1* 19.1*							15.1*	15.1*	63' 7"
75	Gantry					26.5* 26.5*	24.1* 24.1*	22.1* 22.1*	20.4* 20.4*	19.0* 19.0*	17.7* 17.7*						14.6*	14.6*	67' 5"
70	Gantry					26.5* 26.5*	24.1* 24.1*	22.1* 22.1*	20.4* 20.4*	18.9* 18.9*	17.6* 17.6*	15.1* 15.1*					14.1*	14.1*	70' 7"
65	Gantry					26.6* 26.6*	24.1* 24.1*	22.1* 22.1*	20.4* 20.4*	18.9* 18.9*	17.6* 17.6*	16.4* 16.4*					13.8*	13.8*	73' 5"
60	Gantry					26.8* 26.8*	24.3* 24.3*	22.2* 22.2*	20.4* 20.4*	18.9* 18.9*	17.6* 17.6*	16.3* 16.3*	14.8* 14.8*				13.6*	13.6*	75' 8"
55	Gantry					27.2* 27.2*	24.6* 24.6*	22.4* 22.4*	20.6* 20.6*	19.0* 19.0*	17.6* 17.6*	16.3* 16.3*	15.1* 15.1*				13.5*	13.5*	77' 7"
50	Gantry				30.4* 30.4*	27.7* 27.7*	24.9* 24.9*	22.6* 22.6*	20.7* 20.7*	19.1* 19.1*	17.6* 17.6*	16.3* 16.3*	15.1* 15.1*				13.4*	13.4*	79' 1"
45	Gantry			29.6* 29.6*	31.9* 31.9*	28.2* 28.2*	25.3* 25.3*	22.9* 22.9*	20.9* 20.9*	19.2* 19.2*	17.7* 17.7*	16.3* 16.3*	15.0* 15.0*	13.5* 13.5*			13.4*	13.4*	80' 5"
40	Gantry		28.8* 28.8*	34.4* 34.4*	32.8* 32.8*	28.8* 28.8*	25.7* 25.7*	23.2* 23.2*	21.1* 21.1*	19.3* 19.3*	17.8* 17.8*	16.3* 16.3*	15.0* 15.0*	13.4* 13.4*	12.9* 12.9*		12.9*	12.9*	81' 2"
35	Gantry	32.3* 32.3*	40.8* 40.8*	39.3* 39.3*	33.7* 33.7*	29.4* 29.4*	26.2* 26.2*	23.5* 23.5*	21.3* 21.3*	19.4* 19.4*	17.8* 17.8*	16.3* 16.3*	14.8* 14.8*	13.1* 13.1*	12.3* 12.3*		12.3*	12.3*	81'10"
30	Gantry	62.3* 62.3*	49.1* 49.1*	40.5* 40.5*	34.5* 34.5*	30.0* 30.0*	26.5* 26.5*	23.7* 23.7*	21.4* 21.4*	19.5* 19.5*	17.8* 17.8*	16.2* 16.2*	14.6* 14.6*	12.8* 12.8*	11.8* 11.8*		11.8*	11.8*	82' 1"
25	Gantry	30.7* 30.7*	50.6* 50.6*	41.5* 41.5*	35.2* 35.2*	30.5* 30.5*	26.8* 26.8*	23.9* 23.9*	21.5* 21.5*	19.5* 19.5*	17.6* 17.6*	16.0* 16.0*	14.3* 14.3*	12.3* 12.3*	11.1* 11.1*		11.1*	11.1*	82'
20	Gantry	16.2* 16.2*	43.8* 43.8*	42.1* 42.1*	35.5* 35.5*	30.7* 30.7*	26.9* 26.9*	23.9* 23.9*	21.4* 21.4*	19.3* 19.3*	17.4* 17.4*	15.6* 15.6*	13.8* 13.8*	11.5* 11.5*	10.4* 10.4*		10.4*	10.4*	81' 7"
15	Gantry	14.2* 14.2*	29.5* 29.5*	41.9* 41.9*	35.4* 35.4*	30.6* 30.6*	26.8* 26.8*	23.7* 23.7*	21.2* 21.2*	19.0* 19.0*	17.0* 17.0*	15.1* 15.1*	13.0* 13.0*	10.3* 10.3*	9.6* 9.6*		9.6*	9.6*	81'
10	Gantry	14.9* 14.9*	26.0* 26.0*	40.8* 40.8*	34.7* 34.7*	30.0* 30.0*	26.3* 26.3*	23.2* 23.2*	20.6* 20.6*	18.4* 18.4*	16.3* 16.3*	14.2* 14.2*	11.9* 11.9*				8.6*	8.6*	79'11"
5	Gantry	16.6* 16.6*	25.7* 25.7*	38.8* 38.8*	33.2* 33.2*	28.9* 28.9*	25.3* 25.3*	22.3* 22.3*	19.7* 19.7*	17.4* 17.4*	15.2* 15.2*	13.0* 13.0*	10.3* 10.3*				9.1*	9.1*	76' 8"
0	Gantry	18.7* 18.7*	26.7* 26.7*	35.5* 35.5*	30.9* 30.9*	27.0* 27.0*	23.7* 23.7*	20.9* 20.9*	18.3* 18.3*	16.0* 16.0*	13.7* 13.7*	11.2* 11.2*					9.8*	9.8*	72' 4"
- 5	Gantry		28.5* 28.5*	31.0* 31.0*	27.5* 27.5*	24.3* 24.3*	21.4* 21.4*	18.8* 18.8*	16.3* 16.3*	14.0* 14.0*	11.5* 11.5*						11.0*	11.0*	65'11"
- 10	Gantry					20.5* 20.5*	18.1* 18.1*	15.8* 15.8*									14.1*	14.1*	53'10"

Height Can be slewed through 360° In longitudinal position of undercarriage Max. reach * Limited by hydr. capacity

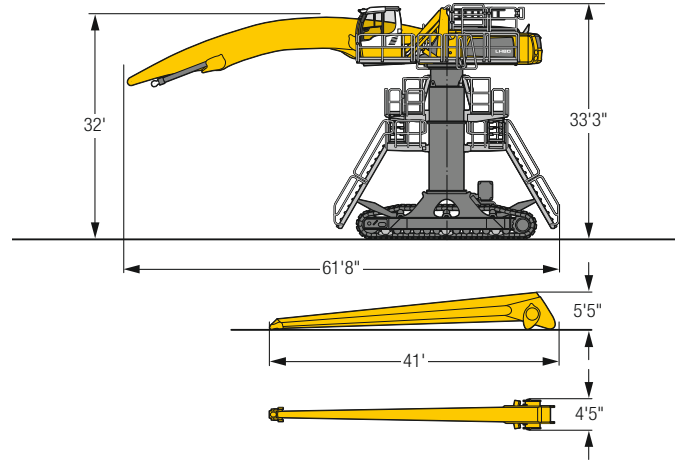
The lift capacities on the stick end without attachment are stated in lb x 1,000 and can be slewed through 360° on a firm, level supporting surface. Capacities are valid for 30" wide flat pads. Indicated loads based on the ISO 10567 standard and do not exceed 75% of tipping or 87% of hydraulic capacity. The lift capacity values indicated are attained at the corresponding operating temperature. This operating temperature is ensured by continuous movement of the boom. Weights of fitted attachments (grabs, load hooks, etc.) and load accommodation attachment are to be deducted from the lift capacity values. The lift capacity of the unit is limited by its stability, the lifting capability of the hydraulic elements, or the maximum permissible lifting capacity of the load hook.

LH 80 C Gantry – Equipment AG24

Port – Kinematic 2D



Dimensions



Operating weight and ground pressure

The operating weight includes the basic machine with hydr. cab elevation, angled boom 44'3", straight stick 39'4" and grab for loose material GMZ 80 / 5.23 yd³.

Weight	257,800 lb
Pad width	30"
Ground pressure	on request

		20 ft	25 ft	30 ft	35 ft	40 ft	45 ft	50 ft	55 ft	60 ft	65 ft	70 ft	75 ft	80 ft		ft in
100	Gantry															17,6" 17,6"
95	Gantry					19,6" 19,6"										16,1" 16,1"
90	Gantry						19,8" 19,8"									16,1" 16,1"
85	Gantry						20,3" 20,3"	18,9" 18,9"	15,5" 15,5"							15,2" 15,2"
80	Gantry						20,0" 20,0"	18,6" 18,6"	17,4" 17,4"	14,7" 14,7"						14,5" 14,5"
75	Gantry						18,4" 18,4"	17,3" 17,3"	16,3" 16,3"							14,0" 14,0"
70	Gantry						18,4" 18,4"	17,2" 17,2"	16,2" 16,2"	15,3" 15,3"						13,7" 13,7"
65	Gantry						19,9" 19,9"	18,4" 18,4"	17,2" 17,2"	16,2" 16,2"	15,3" 15,3"	14,0" 14,0"				13,5" 13,5"
60	Gantry						20,1" 20,1"	18,6" 18,6"	17,3" 17,3"	16,2" 16,2"	15,3" 15,3"	14,5" 14,5"				13,4" 13,4"
55	Gantry						20,4" 20,4"	18,8" 18,8"	17,5" 17,5"	16,3" 16,3"	15,4" 15,4"	14,5" 14,5"				13,4" 13,4"
50	Gantry					22,9" 22,9"	20,9" 20,9"	19,2" 19,2"	17,7" 17,7"	16,5" 16,5"	15,5" 15,5"	14,6" 14,6"	13,8" 13,8"			13,4" 13,4"
45	Gantry				26,4" 26,4"	23,6" 23,6"	21,4" 21,4"	19,5" 19,5"	18,0" 18,0"	16,7" 16,7"	15,7" 15,7"	14,7" 14,7"	13,9" 13,9"			13,5" 13,5"
40	Gantry				27,5" 27,5"	24,4" 24,4"	22,0" 22,0"	20,0" 20,0"	18,4" 18,4"	17,0" 17,0"	15,8" 15,8"	14,8" 14,8"	14,0" 14,0"			13,4" 13,4"
35	Gantry	49,2" 49,2"	39,6" 39,6"	33,2" 33,2"	28,7" 28,7"	25,3" 25,3"	22,6" 22,6"	20,5" 20,5"	18,7" 18,7"	17,3" 17,3"	16,1" 16,1"	15,0" 15,0"	14,0" 14,0"			13,3" 13,3"
30	Gantry	53,5" 53,5"	42,3" 42,3"	35,0" 35,0"	29,9" 29,9"	26,2" 26,2"	23,3" 23,3"	21,0" 21,0"	19,1" 19,1"	17,6" 17,6"	16,3" 16,3"	15,1" 15,1"	14,1" 14,1"			13,2" 13,2"
25	Gantry	53,9" 53,9"	44,7" 44,7"	36,7" 36,7"	31,1" 31,1"	27,0" 27,0"	23,9" 23,9"	21,5" 21,5"	19,5" 19,5"	17,8" 17,8"	16,5" 16,5"	15,2" 15,2"	14,1" 14,1"			13,1" 13,1"
20	Gantry	27,5" 27,5"	46,7" 46,7"	38,1" 38,1"	32,1" 32,1"	27,8" 27,8"	24,5" 24,5"	21,9" 21,9"	19,8" 19,8"	18,1" 18,1"	16,6" 16,6"	15,3" 15,3"	14,1" 14,1"			13,0" 13,0"
15	Gantry	22,2" 22,2"	39,9" 39,9"	31,1" 31,1"	32,9" 32,9"	28,4" 28,4"	25,0" 25,0"	22,3" 22,3"	20,1" 20,1"	18,2" 18,2"	16,7" 16,7"	15,3" 15,3"	13,9" 13,9"			12,9" 12,9"
10	Gantry	21,1" 21,1"	33,4" 33,4"	39,7" 39,7"	33,4" 33,4"	28,8" 28,8"	25,3" 25,3"	22,5" 22,5"	20,2" 20,2"	18,3" 18,3"	16,6" 16,6"	15,1" 15,1"	13,6" 13,6"			12,8" 12,8"
5	Gantry	21,6" 21,6"	31,3" 31,3"	39,6" 39,6"	33,5" 33,5"	28,9" 28,9"	25,3" 25,3"	22,5" 22,5"	20,1" 20,1"	18,1" 18,1"	16,4" 16,4"	14,7" 14,7"	12,9" 12,9"			12,5" 12,5"
0	Gantry	22,8" 22,8"	31,0" 31,0"	38,8" 38,8"	33,0" 33,0"	28,6" 28,6"	25,0" 25,0"	22,2" 22,2"	19,8" 19,8"	17,7" 17,7"	15,9" 15,9"	14,0" 14,0"				12,2" 12,2"
- 5	Gantry	24,2" 24,2"	31,6" 31,6"	37,1" 37,1"	31,8" 31,8"	27,7" 27,7"	24,3" 24,3"	21,5" 21,5"	19,1" 19,1"	17,0" 17,0"	14,9" 14,9"	12,8" 12,8"				11,8" 11,8"
- 10	Gantry		32,8" 32,8"	34,5" 34,5"	29,9" 29,9"	26,1" 26,1"	23,0" 23,0"	20,3" 20,3"	17,9" 17,9"	15,7" 15,7"	13,4" 13,4"					12,3" 12,3"
- 15	Gantry				27,0" 27,0"	23,8" 23,8"	20,9" 20,9"	18,4" 18,4"	16,0" 16,0"							14,8" 14,8"

Height Can be slewed through 360° In longitudinal position of undercarriage Max. reach * Limited by hydr. capacity

The lift capacities on the stick end without attachment are stated in lb x 1,000 and can be slewed through 360° on a firm, level supporting surface. Capacities are valid for 30" wide flat pads. Indicated loads based on the ISO 10567 standard and do not exceed 75% of tipping or 87% of hydraulic capacity. The lift capacity values indicated are attained at the corresponding operating temperature. This operating temperature is ensured by continuous movement of the boom. Weights of fitted attachments (grabs, load hooks, etc.) and load accommodation attachment are to be deducted from the lift capacity values. The lift capacity of the unit is limited by its stability, the lifting capability of the hydraulic elements, or the maximum permissible lifting capacity of the load hook.

Liebherr ERC-System

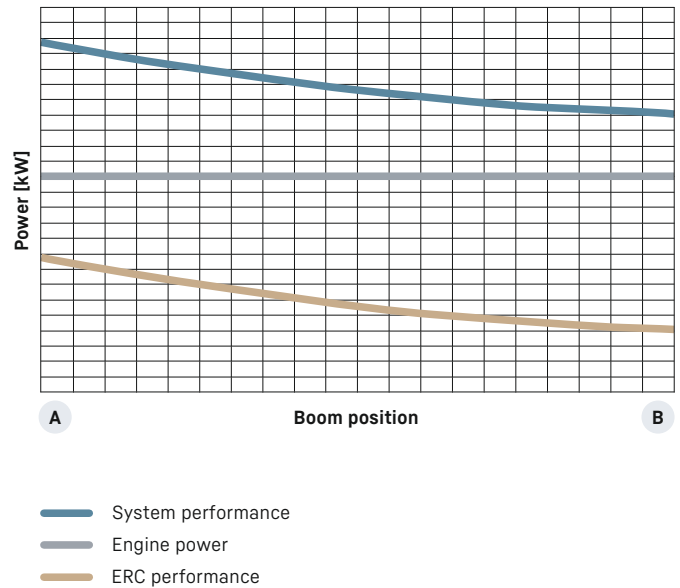
More performance, less consumption

Lowering the equipment stores energy in the ERC-System. This stored energy is then made available to the machine to provide additional engine power. When the equipment is raised the stored energy is released and is reflected in powerful, homogeneous operating cycles. The result is a clear energy saving – and, at the same time, even greater performance.

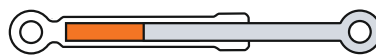
System performance

The energy recovery cylinder is a storage system which is independent of the electric motor or diesel engine. The system performance of material handling machines fitted with the ERC-System is composed of the installed engine power and the energy recovery cylinder. When the equipment is raised, energy from the ERC-System is supplied in addition to the power from the engine.

ERC-System



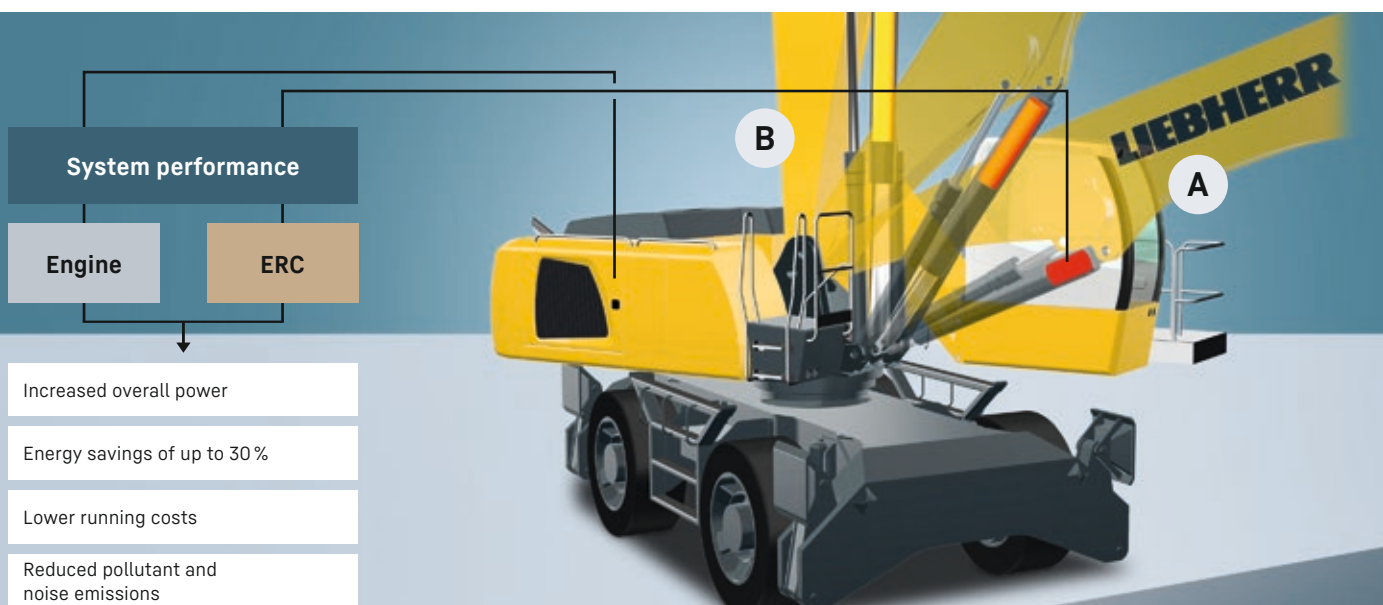
B 1. Equipment fitting raised / energy released



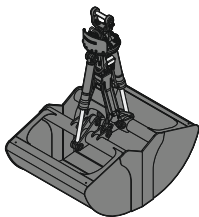
2. Lower equipment fitting / store energy
4. Raise equipment fitting / release energy



A 3. Equipment fitting lowered / energy stored



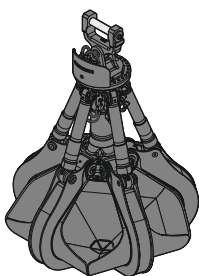
Attachments



Grab for loose material

Shells for loose material with cutting edge (without teeth)

Grab model GMZ 50														
Width of shells	ft in	4'7"	5'3"	5'11"										
Capacity	yd ³	4.58	5.23	5.88										
Weight	lb	5,765	6,065	6,230										
Grab model GMZ 80														
Shell specification		Standard								Wide				
Width of shells	ft in	4'3"	4'11"	5'9"	6'7"	7'3"	8'6"	9'10"	11'2"	4'3"	4'11"	5'7"	6'7"	7'3"
Capacity	yd ³	3.92	4.58	5.23	5.88	6.54	7.85	9.15	10.46	2.62	3.01	3.53	3.92	4.45
Weight	lb	5,535	5,785	6,120	6,435	7,175	7,695	8,200	8,720	5,095	5,290	5,590	5,885	6,380
Grab model GMZ 120														
Width of shells	ft in	5'3"	5'11"	6'7"	7'3"	7'10"	9'2"	10'6"						
Capacity	yd ³	5.23	5.88	6.54	7.19	7.85	9.15	10.46						
Weight	lb	6,625	6,925	7,230	8,005	8,320	8,905	9,545						



Multi-tine grab

closed, heart-shaped

Grab model GMM 80-5 (5 tines)					
Capacity	yd ³	1.18	1.44	1.83	2.22
Weight	lb	5,235	5,380	5,690	6,020
Grab model GMM 120-5 (5 tines)					
Capacity	yd ³	2.22	2.62	3.27	3.92
Weight	lb	6,550	6,855	7,200	8,090



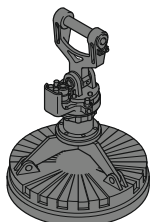
Wood grab

Grab model GMH 50 – round overlapping (horizontal cylinders)							
Size	yd ²	2.63	2.99	2.99	3.35	3.83	4.31
Cutting width	ft in	3'3"	2'10"	3'3"	3'3"	3'3"	3'3"
Height of grab, closed	ft in	7'7"	7'11"	7'11"	8'3"	8'8"	9'3"
Weight	lb	4,705	4,640	4,805	4,980	5,115	5,235
Grab model GMH 80 – round overlapping (vertical cylinders)							
Size	yd ²	1.55	1.91	2.27	2.63	2.99	
Cutting width	ft in	2'10"	2'10"	2'10"	2'10"	2'10"	
Height of grab, closed	ft in	9'2"	9'6"	9'9"	10'1"	10'4"	
Weight	lb	4,750	4,885	4,980	5,060	5,150	
Grab model GMH 120 – round overlapping (vertical cylinders)							
Size	yd ²	3.35	3.83	3.35			
Cutting width	ft in	2'10"	2'10"	2'10"			
Height of grab, closed	ft in	11'9"	12'1"	12'4"			
Weight	lb	6,010	6,065	6,150			



Load hook

Max. load	lb	55,115
Height with suspension	ft	4'
Weight	lb	562




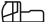
Magnet devices / lifting magnets

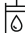
Generator	kW	20	30
Electromagnet with suspension			
Power	kW	11.7	17.8
Diameter of magnet	ft in	4'11"	5'7"
Weight	lb	5,290*	7,275*


* only magnet plate

Equipment

	80 M	80 C	80 M HR	80 C HR	80 C Gantry
 Undercarriage					
Track pads, variants		+		+	+
Individual control outriggers	+		•		
Three-piece chain guide		•		•	•
Shuttle axle lock, automatic	•		•		
Outrigger monitoring system	+		+		
Tires, variants	+		+		
Trailing cable ²⁾	•	•	•	•	•
Protection for piston rods, outriggers	+		+		
Two storage compartments ¹⁾	•				
One storage compartment ²⁾	•				
Cable reel system ²⁾	+	+3)	+	+	+

	80 M	80 C	80 M HR	80 C HR	80 C Gantry
 Upper-carriage					
Upper-carriage right side light, 1 piece, LED	•	•	•	•	•
Upper-carriage rear light, 2 pieces, LED	+	+			
Upper-carriage underneath rear light, 1 piece, LED			+	+	+
Refuelling system with filling pump ¹⁾	+	+	+	+	+
Railing on upper-carriage	+	+	•	•	•
Generator	+	+	+	+	+
Main battery switch for electrical system	•	•	•	•	•
Amber beacon, at upper-carriage, LED double flash	+	+	+	+	+
Protection for headlights	+	+			
Protection for rear lights	+	+			
Tool equipment, extended	•	•	•	•	•

	80 M	80 C	80 M HR	80 C HR	80 C Gantry
 Hydraulic system					
Electronic pump regulation	•	•	•	•	•
Liebherr hydraulic oil from -4°F to +104°F	•	•	•	•	•
Liebherr hydraulic oil, biologically degradable	+	+	+	+	+
Liebherr hydraulic oil, specially for warm or cold regions	+	+	+	+	+
Magnetic rod in hydraulic tank	•	•	•	•	•
Bypass filter	+	+	+	+	+
Preheating hydraulic oil	+	+	+	+	+

	80 M	80 C	80 M HR	80 C HR	80 C Gantry
 Engine					
Fuel anti-theft device ¹⁾	+	+	+	+	+
Air pre-filter with dust discharge ¹⁾	+	+	+	+	+
Automatic engine shut-down (time adjustable)	+	+	+	+	+
Preheating fuel ¹⁾	+	+	+	+	+
Preheating coolant ¹⁾	+	+	+	+	+
Preheating engine oil ^{*1)}	+	+	+	+	+

	80 M	80 C	80 M HR	80 C HR	80 C Gantry
 Cooling system					
Reversible fan drive	+	+	+	+	+
Protective grid in front of cooler intake	•	•	•	•	•



Cab

	80 M	80 C	80 M HR	80 C HR	80 C Gantry
Stabilizer assistant	+		+		
Stabilizer, control lever, left console	+		+		
Stabilizer, proportional control on left joystick	●		●		
Cab lights rear, LED	+	+	+	+	+
Cab lights front, LED	+	+	+	+	+
Cab lights front, LED (under rain cover)	●	●	●	●	●
Armrest adjustable	●	●	●	●	●
Circular bubble level	+	+	●	●	●
Slewing gear brake Comfort, button on the left or right joystick	+	+	+	+	+
Driver profile, personalized (max. 5 drivers)	+	+	+	+	+
Operator's seat Comfort	●	●	●	●	●
Operator's seat Premium	+	+	+	+	+
Driving alarm					
(acoustic signal is emitted during travel, can be switched ON / OFF)	+	+	+	+	+
Fire extinguisher	+	+	+	+	+
Footrest	+	+	+	+	+
Horn, button on left joystick	●	●	●	●	●
Joystick steering	●		●		
Joystick and wheel steering (slim version)	+		+		
Cab elevation, hydraulic (LHC)	●	●	●	●	●
Cab elevation, hydraulic with double parallelogram (LHC-D)			+	+	+
Cab elevation, rigid (LFC)	+	+			
Automatic air conditioning	●	●	●	●	●
Wheel steering (slim version)	+		+		
LiDAT, vehicle fleet management	●	●	●	●	●
Engine shut-down (emergency stop) cab ²⁾	●	●	●	●	●
Proportional control	●	●	●	●	●
Radio Comfort, control via display with handsfree set	+	+	+	+	+
Preparation for radio installation	●	●	●	●	●
Back-up alarm (acoustic signal is emitted traveling backward, can not be switched off)	+		+		
Amber beacon, on cab, LED double flash	+	+	+	+	+
Windows made from impact-resistant laminated safety glass	+	+	●	●	●
Windscreen wiper, roof	+	+	+	+	+
Windshield wiper, entire windshield	●	●	●	●	●
FOPS top guard	+	+	+	+	+
FGPS front guard, tiltable	+	+	+	+	+
Sun visor	+	+	+	+	+
Stationary air-conditioning ²⁾	●	●	●	●	●
Left control console, folding	●	●	●	●	●



Equipment

	80 M	80 C	80 M HR	80 C HR	80 C Gantry
Boom lights, 2 pieces, LED	●	●	●	●	●
Stick lights, 2 pieces, LED	●	●	●	●	●
Boom shutoff (retract / extend), electronically	+	+	●	●	●
Equipment with electro-hydraulic end position control	●	●	●	●	●
AutoLift	+	+	+	+	+
Pressure warning mechanism hoist cylinder	●	●	●	●	●
ERC system	●	●	●	●	●
Filter system for attachment	+	+	+	+	+
Electronic lift limitation	+	+	+	+	+
Boom cylinder cushioning	●	●	●	●	●
Stick camera (with separate monitor), bottom side, with protection	+	+	+	+	+
Load torque limitation	+	+	+	+	+
Liebherr multi coupling system	+	+	+	+	+
Pipe fracture safety valves hoist cylinders	●	●	●	●	●
Pipe fracture safety valves stick cylinders	●	●	●	●	●
Quick coupling system MH 110B	+	+	+	+	+
Protection for piston rod, energy recovering cylinder	+	+	+	+	+
Protection for piston rods, hoist cylinder	+	+	+	+	+
Stick shutoff (retract), electronically	●	●	●	●	●
Stick shutoff (retract / extend), electronically	+	+	+	+	+
Retract stick without pressure	●	●	●	●	●
Sticks with quick coupling	+	+	+	+	+
Overload warning device	+	+	+	+	+



Complete machine

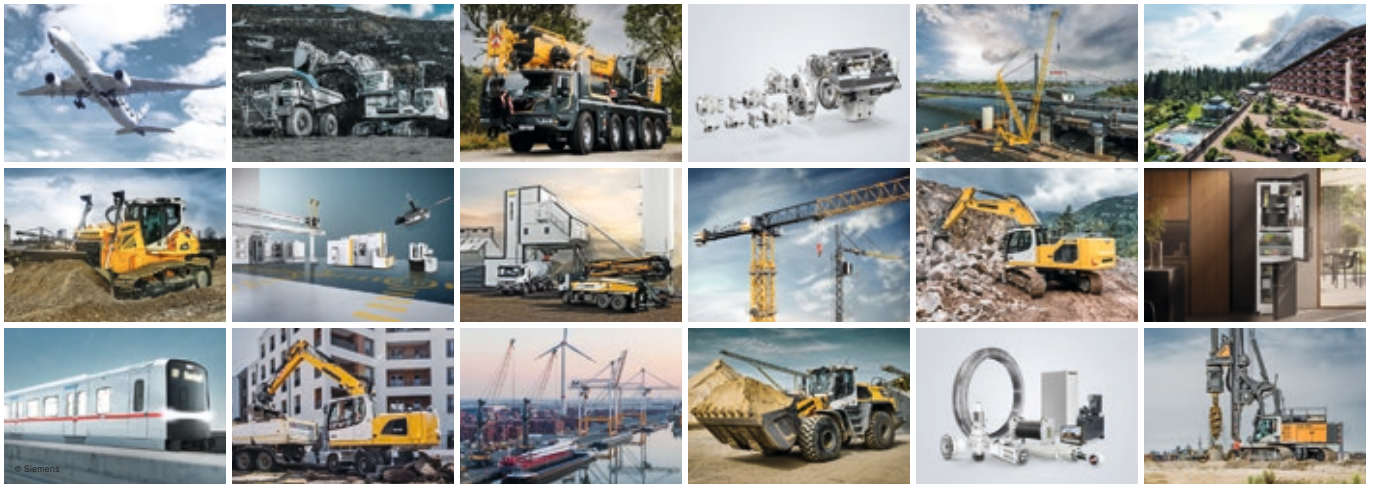
	80 M	80 C	80 M HR	80 C HR	80 C Gantry
Lubrication					
Lubrication undercarriage, manually - decentralized (grease points)	●				
Lubrication undercarriage, manually - centralized (one grease point)	+		●		
Central lubrication system for uppercarriage and equipment, automatically	●	●	●	●	●
Central lubrication system for undercarriage, automatically	+		+		
Centralized lubrication extended for attachment	+	+	+	+	+
Special coating					
Special coating, variants	+	+	+	+	+
Monitoring					
Rear view monitoring with camera	●	●	●	●	●
Side view monitoring with camera	●	●	●	●	●

● = Standard, + = Option, +³⁾ = on request

* = country-dependent, ¹⁾ not with electric drive, ²⁾ only with electric drive

Options and / or special equipment, supplied by vendors other than Liebherr, are only to be installed with the knowledge and approval of Liebherr in order to retain warranty.

The Liebherr Group



Global and independent: more than 70 years of success

Liebherr was founded in 1949. With the development of the world's first mobile tower crane, Hans Liebherr laid the foundations of a successful family-run company which today comprises more than 150 companies on all continents with over 50,000 employees. The holding company of the Group is Liebherr-International AG in Bulle (Switzerland), whose shareholders are exclusively members of the Liebherr family.

Technology leadership and pioneering spirit

Liebherr regards itself as a pioneer. This spirit has enabled the company to make a decisive contribution to the technological history of many industries. Today, employees around the world still share the courage of the company founder to take new paths. They are all united by a passion for technology and fascinating products and the determination to perform outstanding work for their customers.

Widely diversified product program

Not only is Liebherr one of the biggest construction machine manufacturers in the world, it also provides high-quality, user-oriented products and services in a wide range of other areas. The product program includes the segments earthmoving machinery, material handling technology, deep foundation machines, mining, mobile and crawler cranes, tower cranes, concrete technology, maritime cranes, aerospace and transportation systems, gear technology and automation systems, refrigerators and freezers, components and hotels.

Customized solutions and maximum customer value

Liebherr solutions are characterized by maximum precision, outstanding implementation and exceptional longevity. Its mastery of key technologies enables the company to offer its customers customized solutions. For Liebherr, customer focus does not end with the product; it also encompasses a wide range of services that make a real difference.

www.liebherr.us

WARNING

Breathing diesel engine exhaust exposes you to chemicals known to the State of California to cause cancer and birth defects or other reproductive harm.

- Always start and operate the engine in a well-ventilated area.
- If in an enclosed area, vent the exhaust to the outside.
- Do not modify or tamper with exhaust system.
- Do not idle the engine except as necessary.

For more information go to www.P65warnings.ca.gov/diesel.

WARNING

This product can expose you to chemicals including lead and lead compounds, which are known to the State of California to cause cancer and birth defects or other reproductive harm.

For more information go to www.P65warnings.ca.gov.

Liebherr USA, Co.

Construction Equipment Division • 4800 Chestnut Avenue • Newport News, VA 23607, USA • Phone +1 (757) 240 4250
construction.usa@liebherr.com • www.liebherr.us • www.facebook.com/LiebherrConstruction