
GM 5B - GMZ 180B

Clamshell grabs

LIEBHERR

Attachments

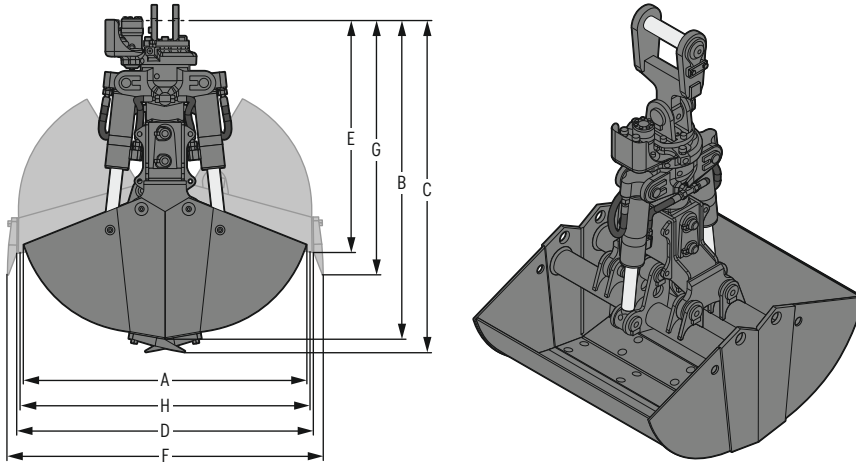


Capacity
0.07 - 12.00 m³



Clamshell grab GM 5B

Clamshell buckets, two-piece clamshell carrier



Machine range

Wheeled excavator Compact	A 910 Compact – A 916 Compact	Weight class 10 – 16 t
Wheeled excavator	A 914	Weight class 10 – 16 t
Crawler excavator Compact	R 914 Compact	Weight class 10 – 16 t
Railroad excavator	R 914 Rail	Weight class 10 – 16 t

Dimensions / weights

Capacity	Shell width	Number of teeth	Shells closed			D Width	E Height	Shells open		H Opening width	Weight ¹⁾	
			A Width	B Height	C Height with teeth			F Width with teeth	G Height with teeth		without suspension	with standard suspension
m ³	mm	Piece	mm	mm	mm	mm	mm	mm	mm	mm	kg	kg
0.10	300	3	1,195	1,352	1,408	1,257	985	1,341	1,080	1,217	410	480
0.13	400	5	1,195	1,352	1,408	1,257	985	1,341	1,080	1,217	445	515
0.20	600	5	1,195	1,352	1,408	1,257	985	1,341	1,080	1,217	475	545
0.27	800	7	1,195	1,352	1,408	1,257	985	1,341	1,080	1,217	515	585
0.34	1,000	7	1,195	1,352	1,408	1,257	985	1,341	1,080	1,217	590	660

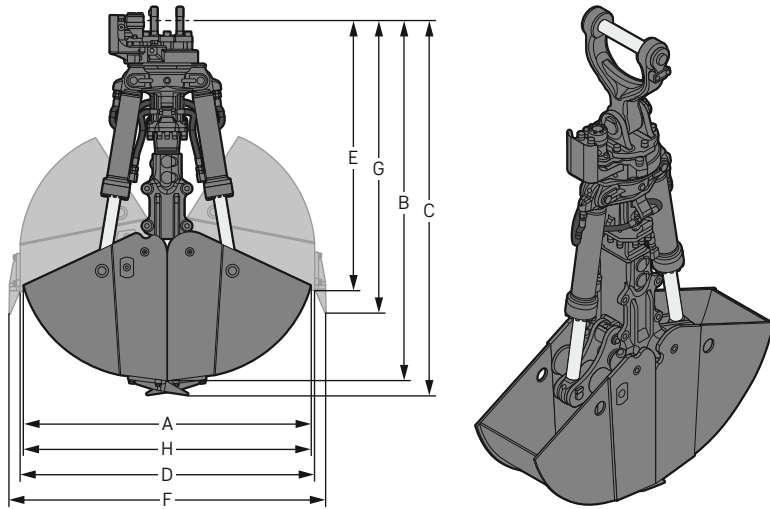
¹⁾ the weight may vary depending on the suspension

Technical data

Lift capacity max.	Pressure max.	Grab open / close Flow max.	Pressure max.	Grab turning Flow max.	Torque 1 motor 200 cm ³
5 t	36 MPa	150 l/min.	15 MPa	30 l/min.	1.08 kNm

Clamshell grab GM 8B

Clamshell buckets, two-piece clamshell carrier



Machine range

Wheeled excavator Compact	A 914 Compact - A 918 Compact	Weight class 14 - 20 t
Wheeled excavator	A 914 - A 918	Weight class 14 - 20 t
Crawler excavator Compact	R 914 Compact - R 920 Compact	Weight class 14 - 20 t
Railroad excavator	A 922 Rail, A 924 Rail, R 914 Rail	Weight class 14 - 20 t

Dimensions / weights

Capacity	Shell width	Number of teeth	Shells closed			D Width	E Height	Shells open		H Opening width	without suspension	Weight ¹⁾	
			A Width	B Height	C Height with teeth			F Width with teeth	G Height with teeth			with standard suspension	with HD suspension
m ³	mm	Piece	mm	mm	mm	mm	mm	mm	mm	kg	kg	kg	
0.17	320	3	1,442	1,925	1,963	1,575	1,442	1,633	1,546	1,462	680	750	755
0.22	400	3	1,442	1,925	1,963	1,575	1,442	1,633	1,546	1,462	725	795	800
0.30	600	5	1,442	1,925	1,963	1,575	1,442	1,633	1,546	1,462	715	785	790
0.40	800	5	1,442	1,925	1,963	1,575	1,442	1,633	1,546	1,462	760	830	835

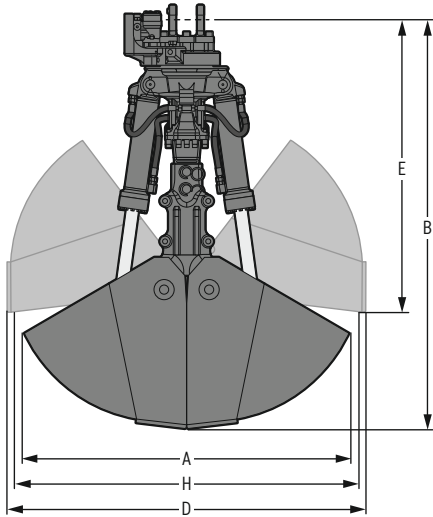
¹⁾ the weight may vary depending on the suspension

Technical data

Lift capacity max.	Pressure max.	Grab open / close Flow max.	Pressure max.	Grab turning Flow max.	Torque 1 motor 200 cm ³
10 t	36 MPa	200 l/min.	15 MPa	30 l/min.	1.38 kNm

Clamshell grab GM 8B

Shells for loose material, two-piece clamshell carrier



Machine range

Wheeled excavator Compact	A 914 Compact - A 918 Compact	Weight class 14 - 20 t
Wheeled excavator	A 914 - A 918	Weight class 14 - 20 t
Crawler excavator Compact	R 914 Compact - R 920 Compact	Weight class 14 - 20 t
Railroad excavator	R 914 Rail	Weight class 14 - 20 t

Dimensions / weights

Capacity	Shell width	Shells closed		D Width	Shells open		Weight ¹⁾	
		A Width	B Height		E Height	H Opening width	without suspension	with HD suspension
0.80 m ³	1,000 mm	1,607 mm	2,028 mm	1,778 mm	1,450 mm	1,708 mm	865 kg	940 kg

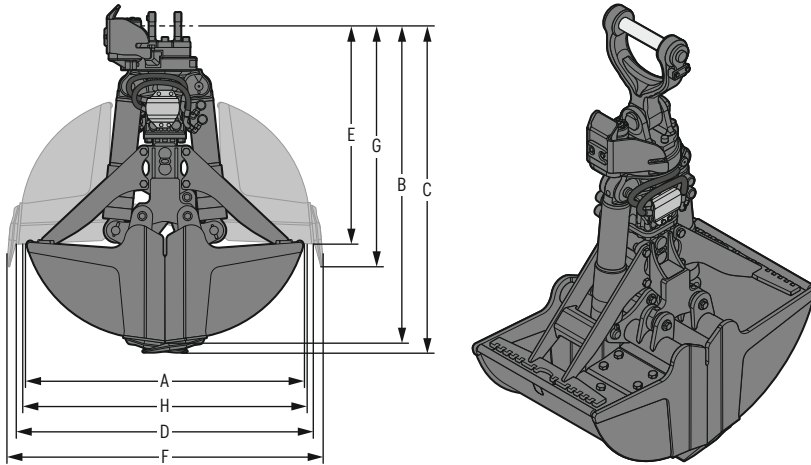
¹⁾ the weight may vary depending on the suspension

Technical data

Lift capacity max.	Pressure max.	Grab open / close Flow max.	Pressure max.	Grab turning Flow max.	Torque 1 motor 200 cm ³
10 t	36 MPa	200 l/min.	15 MPa	30 l/min.	1.38 kNm

Clamshell grab GMZ 22 / GMZ 22 HD

Clamshell buckets, two-piece clamshell carrier
Compatible with previous shell GM 7C / GM 7C HD



Machine range

Wheeled excavator Compact	A 916 Compact – A 918 Compact	Weight class 16 – 24 t
Wheeled excavator	A 916 – A 920	Weight class 16 – 24 t
Crawler excavator	R 918 – R 922	Weight class 16 – 24 t
Railroad excavator	A 922 Rail, A 924 Rail	Weight class 16 – 24 t

Dimensions / weights

Capacity	Shell width	Number of teeth	Shells closed			Shells open					Weight ^{1) 2) 3)}			
			A Width	B Height	C Height with teeth	D Width	E Height	F Width with teeth	G Height with teeth	H Opening width	without suspension	with standard suspension	with HD suspension	with XHD suspension
m ³	mm	Piece	mm	mm	mm	mm	mm	mm	mm	mm	kg	kg	kg	kg
0.14	300	3	1,459	1,678	1,726	1,572	1,154	1,662	1,273	1,502	680	750	755	780
0.20	400	3	1,459	1,678	1,726	1,572	1,154	1,662	1,273	1,502	710	780	785	810
0.30	600	5	1,459	1,678	1,726	1,572	1,154	1,662	1,273	1,502	780	850	855	880
0.42	800	7	1,459	1,678	1,726	1,572	1,154	1,662	1,273	1,502	855	925	930	955
0.54	1,000	9	1,459	1,678	1,726	1,572	1,154	1,662	1,273	1,502	935	1,005	1,010	1,035

¹⁾ the weight may vary depending on the suspension

²⁾ 20 kg additional weight for swivel circuit with 2 motors

³⁾ 20 kg additional weight for HD version

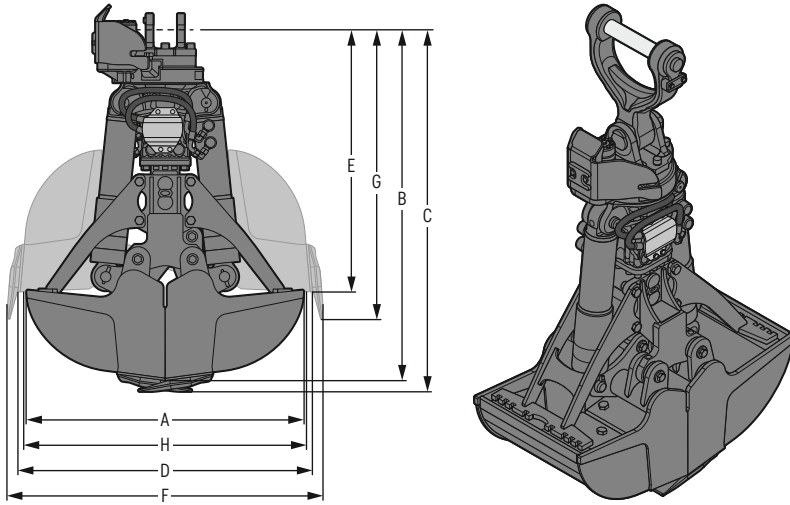
Technical data

Lift capacity max.	Grab open / close		Grab turning		1 motor 200 cm ³	Torque 1 motor 315 cm ³	2 motors 200 cm ³
	Pressure max.	Flow ¹⁾ max.	Pressure max.	Flow max.			
15 t	36 MPa	200 l/min.	15 MPa	30 l/min.	1.38 kNm	2.16 kNm	2.77 kNm

¹⁾ 220 l/min. for HD version

Clamshell grab GMZ 22 / GMZ 22 HD

Combination buckets, two-piece clamshell carrier
Compatible with previous grab GM 7C / GM 7C HD



Machine range

Wheeled excavator Compact	A 916 Compact – A 918 Compact	Weight class 16 – 24 t
Wheeled excavator	A 916 – A 920	Weight class 16 – 24 t
Crawler excavator	R 918 – R 922	Weight class 16 – 24 t
Railroad excavator	A 922 Rail, A 924 Rail	Weight class 16 – 24 t

Dimensions / weights

Capacity	Shell width	Number of teeth	Shells closed			Shells open					Weight ^{1) 2) 3)}			
			A Width	B Height	C Height with teeth	D Width	E Height	F Width with teeth	G Height with teeth	H Opening width	without suspension	with standard suspension	with HD suspension	with XHD suspension
m ³	mm	Piece	mm	mm	mm	mm	mm	mm	mm	mm	kg	kg	kg	kg
0.12	400	3	1,211	1,536	1,584	1,289	1,148	1,379	1,268	1,227	630	700	705	730
0.16	500	5	1,211	1,536	1,584	1,289	1,148	1,379	1,268	1,227	670	740	745	770
0.20	600	5	1,211	1,536	1,584	1,289	1,148	1,379	1,268	1,227	700	770	775	800
0.24	700	7	1,211	1,536	1,584	1,289	1,148	1,379	1,268	1,227	740	810	815	840
0.28	800	7	1,211	1,536	1,584	1,289	1,148	1,379	1,268	1,227	770	840	845	870
0.34	1,000	9	1,211	1,536	1,584	1,289	1,148	1,379	1,268	1,227	835	905	910	935

¹⁾ the weight may vary depending on the suspension

²⁾ 20 kg additional weight for swivel circuit with 2 motors

³⁾ 20 kg additional weight for HD version

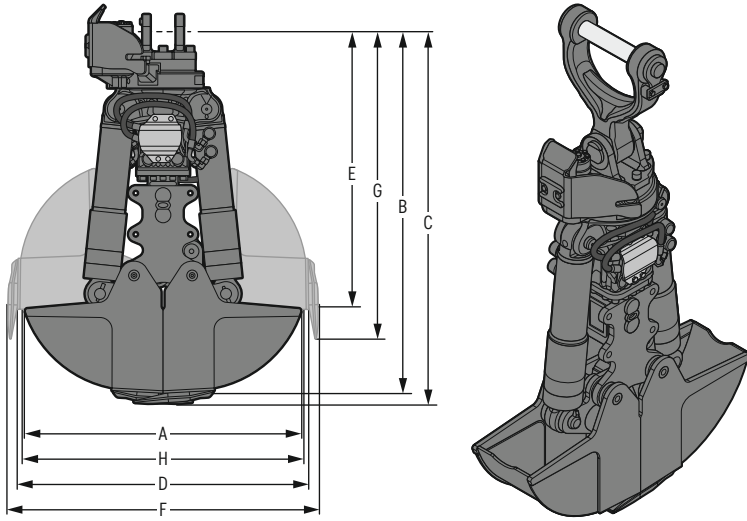
Technical data

Lift capacity max.	Grab open / close		Grab turning		1 motor 200 cm ³	Torque 1 motor 315 cm ³	2 motors 200 cm ³
	Pressure max.	Flow ¹⁾ max.	Pressure max.	Flow max.			
15 t	36 MPa	200 l/min.	15 MPa	30 l/min.	1.38 kNm	2.16 kNm	2.77 kNm

¹⁾ 220 l/min. for HD version

Clamshell grab GMZ 22 / GMZ 22 HD

Track construction buckets, two-piece clamshell carrier
Compatible with previous grab GM 7C / GM 7C HD



Machine range

Railroad excavator | A 922 Rail, A 924 Rail | Weight class 16 - 24 t

Dimensions / weights

Capacity	Shell width	Number of teeth	Shells closed			Shells open					Weight ^{1) 2) 3)}			
			A Width	B Height	C Height with teeth	D Width	E Height	F Width with teeth	G Height with teeth	H Opening width	without suspension	with standard suspension	with HD suspension	with XHD suspension
0.08 m ³	300 mm	3 Pieces	1,136 mm	1,492 mm	1,535 mm	1,201 mm	1,146 mm	1,283 mm	1,268 mm	1,141 mm	605 kg	675 kg	680 kg	705 kg

¹⁾ the weight may vary depending on the suspension

²⁾ 20 kg additional weight for swivel circuit with 2 motors

³⁾ 20 kg additional weight for HD version

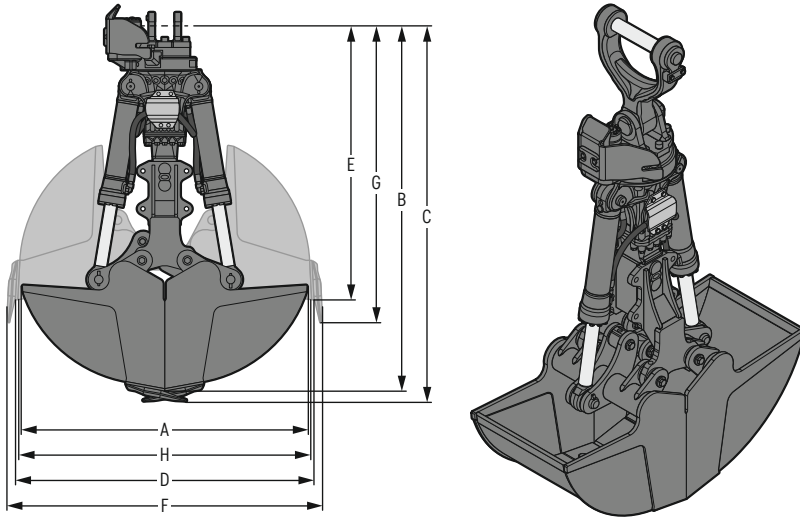
Technical data

Lift capacity max.	Grab open / close		Grab turning		1 motor 200 cm ³	Torque 1 motor 315 cm ³	2 motors 200 cm ³
	Pressure max.	Flow ¹⁾ max.	Pressure max.	Flow max.			
15 t	36 MPa	200 l/min.	15 MPa	30 l/min.	1.38 kNm	2.16 kNm	2.77 kNm

¹⁾ 220 l/min. for HD version

Clamshell grab GMZ 24

Clamshell buckets, two-piece clamshell carrier
Compatible with previous grab GM 10B



Machine range

Wheeled excavator Compact	A 916 Compact – A 918 Compact	Weight class 16 – 24 t
Wheeled excavator	A 916 – A 924	Weight class 16 – 24 t
Crawler excavator Compact	R 926 Compact	Weight class 16 – 24 t
Crawler excavator	R 918 – R 922	Weight class 16 – 24 t
Railroad excavator	A 922 Rail, A 924 Rail	Weight class 16 – 24 t

Dimensions / weights

Capacity	Shell width	Number of teeth	Shells closed			Shells open					Weight ¹⁾²⁾			
			A Width	B Height	C Height with teeth	D Width	E Height	F Width with teeth	G Height with teeth	H Opening width	without suspension	with standard suspension	with HD suspension	with XHD suspension
m ³	mm	Piece	mm	mm	mm	mm	mm	mm	mm	mm	kg	kg	kg	kg
0.16	320	3	1,503	1,930	1,983	1,577	1,449	1,663	1,569	1,515	720	790	795	820
0.22	400	3	1,503	1,930	1,983	1,577	1,449	1,663	1,569	1,515	755	825	830	855
0.28	500	3	1,503	1,930	1,983	1,577	1,449	1,663	1,569	1,515	780	850	855	880
0.34	600	5	1,503	1,930	1,983	1,577	1,449	1,663	1,569	1,515	815	885	890	915
0.46	800	7	1,503	1,930	1,983	1,577	1,449	1,663	1,569	1,515	890	960	965	990
0.60	1,000	9	1,503	1,930	1,983	1,577	1,449	1,663	1,569	1,515	965	1,035	1,040	1,065

¹⁾ the weight may vary depending on the suspension

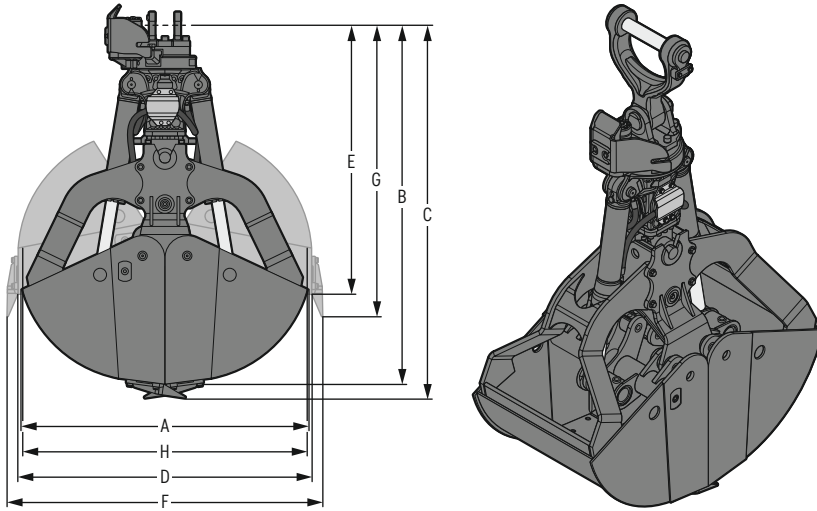
²⁾ 20 kg additional weight for swivel circuit with 2 motors

Technical data

Lift capacity max.	Grab open / close		Grab turning		1 motor 200 cm ³	Torque 1 motor 315 cm ³	2 motors 200 cm ³
	Pressure max.	Flow max.	Pressure max.	Flow max.			
15 t	36 MPa	220 l/min.	15 MPa	30 l/min.	1.38 kNm	2.16 kNm	2.77 kNm

Clamshell grab GMZ 24

Clamshell buckets SW, two-piece clamshell carrier SW
Compatible with previous grab SW GM 10B



Machine range

Wheeled excavator Compact	A 916 Compact - A 918 Compact	Weight class 16 - 24 t
Wheeled excavator	A 916 - A 924	Weight class 16 - 24 t
Crawler excavator Compact	R 926 Compact	Weight class 16 - 24 t
Crawler excavator	R 918 - R 922	Weight class 16 - 24 t
Railroad excavator	A 922 Rail, A 924 Rail	Weight class 16 - 24 t

Dimensions / weights

Capacity	Shell width	Number of teeth	Shells closed			Shells open					Weight ¹⁾²⁾			
			A Width	B Height	C Height with teeth	D Width	E Height	F Width with teeth	G Height with teeth	H Opening width	without suspension	with standard suspension	with HD suspension	with XHD suspension
m ³	mm	Piece	mm	mm	mm	mm	mm	mm	mm	mm	kg	kg	kg	kg
0.16	330	3	1,531	1,930	2,005	1,577	1,448	1,697	1,568	1,527	845	915	920	945
0.21	400	3	1,531	1,930	2,005	1,577	1,448	1,697	1,568	1,527	855	925	930	955
0.33	600	5	1,531	1,930	2,005	1,577	1,448	1,697	1,568	1,527	930	1,000	1,005	1,030
0.45	800	5	1,531	1,930	2,005	1,577	1,448	1,697	1,568	1,527	995	1,065	1,070	1,095
0.57	1,000	7	1,531	1,930	2,005	1,577	1,448	1,697	1,568	1,527	1,065	1,135	1,140	1,165

¹⁾ the weight may vary depending on the suspension

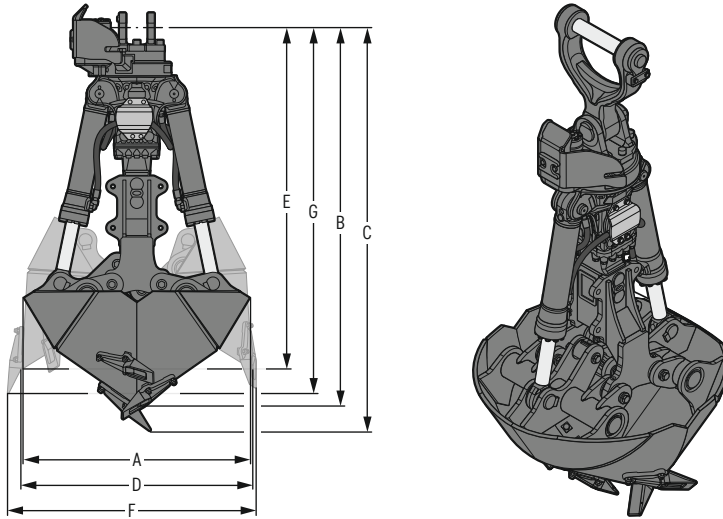
²⁾ 20 kg additional weight for swivel circuit with 2 motors

Technical data

Lift capacity max.	Grab open / close		Grab turning		1 motor 200 cm ³	Torque 1 motor 315 cm ³	2 motors 200 cm ³
	Pressure max.	Flow max.	Pressure max.	Flow max.			
15 t	36 MPa	220 l/min.	15 MPa	30 l/min.	1.38 kNm	2.16 kNm	2.77 kNm

Clamshell grab GMZ 24

Round hole shells, two-piece clamshell carrier
Compatible with previous grab GM 10B¹⁾



Machine range

Wheeled excavator Compact	A 916 Compact – A 918 Compact	Weight class 16 – 24 t
Wheeled excavator	A 916 – A 924	Weight class 16 – 24 t
Crawler excavator Compact	R 926 Compact	Weight class 16 – 24 t
Crawler excavator	R 918 – R 922	Weight class 16 – 24 t
Railroad excavator	A 922 Rail, A 924 Rail	Weight class 16 – 24 t

Dimensions / weights

Capacity	Diameter of shells	Number of teeth	Shells closed			Shells open				Weight ¹⁾²⁾			
			A Width	B Height	C Height with teeth	D Width	E Height	F Width with teeth	G Height with teeth	without suspension	with standard suspension	with HD suspension	with XHD suspension
m ³	mm	Piece	mm	mm	mm	mm	mm	mm	mm	kg	kg	kg	kg
0.07	800	0	732	1,723		800	1,653			600	670	675	700
0.10	1,000	5	883	1,701	1,820	899	1,584	1,000	1,701	635	705	710	735
0.22	1,200	5	1,084	1,825	1,943	1,109	1,649	1,200	1,766	730	800	805	830
0.51	1,500	5	1,374	2,008	2,128	1,420	1,745	1,500	1,862	915	985	990	1,015
1.14	1,900	5	1,749	2,240	2,340	1,815	1,867	1,900	1,984	1,180	1,250	1,255	1,280

¹⁾ the weight may vary depending on the suspension

²⁾ 20 kg additional weight for swivel circuit with 2 motors

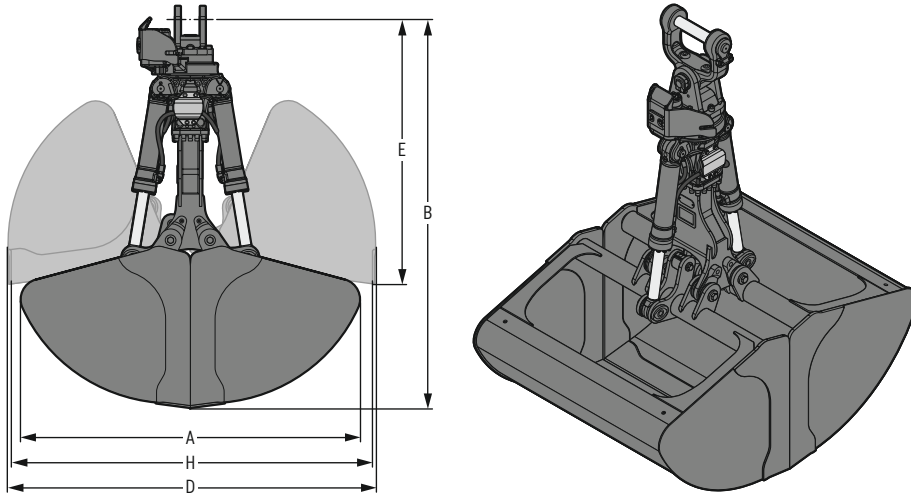
Technical data

Lift capacity max.	Grab open / close		Grab turning		1 motor 200 cm ³	Torque 1 motor 315 cm ³	2 motors 200 cm ³
	Pressure max.	Flow max.	Pressure max.	Flow max.			
15 t	36 MPa	220 l/min.	15 MPa	30 l/min.	1.38 kNm	2.16 kNm	2.77 kNm

¹⁾ compatible with shell diameter of 1,000 mm and over

Clamshell grab GMZ 26

Shells for loose material, one-piece clamshell carrier



Machine range

Material handling machine	LH 18 - LH 26	Weight class 16 - 24 t
Crawler excavator	R 918 - R 922	Weight class 16 - 24 t

Dimensions / weights

Capacity	Shell width	Max. granule size	Max. material density	Shells closed		D Width	Shells open		H Opening width	without suspension	Weight ¹⁾²⁾	
				A Width	B Height		E Height	with HD suspension			with XHD suspension	
m ³	mm	mm	t/m ³	mm	mm	mm	mm	mm	kg	kg	kg	
1.50	1,250	40	1,6	2,053	2,256	2,223	1,491	2,173	1,095	1,170	1,195	
1.80	1,500	40	1,6	2,053	2,256	2,223	1,491	2,173	1,180	1,255	1,280	

¹⁾ the weight may vary depending on the suspension

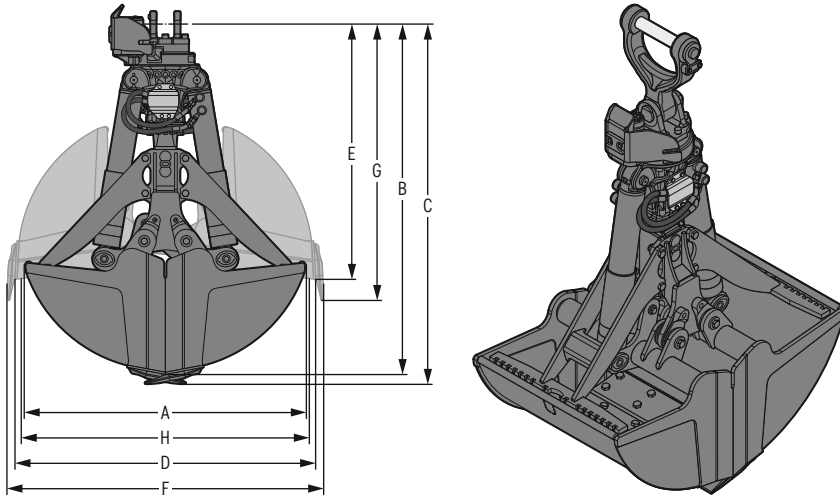
²⁾ 20 kg additional weight for swivel circuit with 2 motors

Technical data

Lift capacity max.	Grab open / close		Grab turning		1 motor 200 cm ³	Torque	
	Pressure max.	Flow max.	Pressure max.	Flow max.		1 motor 315 cm ³	2 motors 200 cm ³
15 t	36 MPa	220 l/min.	15 MPa	30 l/min.	1.38 kNm	2.16 kNm	2.77 kNm

Clamshell grab GMZ 30

Clamshell buckets, two-piece clamshell carrier



Machine range

Material handling machine	LH 18 - LH 26	Weight class 20 - 30 t
Wheeled excavator	A 920 - A 924	Weight class 20 - 30 t
Crawler excavator Compact	R 926 Compact - R 936 Compact	Weight class 20 - 30 t
Crawler excavator	R 922 - R 930	Weight class 20 - 30 t

Dimensions / weights

Capacity	Shell width	Number of teeth	Shells closed			D Width	E Height	Shells open			H Opening width	Weight ¹⁾²⁾			
			A Width	B Height	C Height with teeth			F Width with teeth	G Height with teeth	without suspension		with standard suspension	with HD suspension	with XHD suspension	
m ³	mm	Piece	mm	mm	mm	mm	mm	mm	mm	mm	kg	kg	kg	kg	
0.38	600	5	1,595	2,000	2,053	1,716	1,458	1,801	1,579	1,644	950	1,020	1,025	1,050	
0.52	800	7	1,595	2,000	2,053	1,716	1,458	1,801	1,579	1,644	1,030	1,100	1,105	1,130	
0.65	1,000	9	1,595	2,000	2,053	1,716	1,458	1,801	1,579	1,644	1,110	1,180	1,185	1,210	
0.80	1,200	11	1,595	2,000	2,053	1,716	1,458	1,801	1,579	1,644	1,190	1,260	1,265	1,290	

¹⁾ the weight may vary depending on the suspension

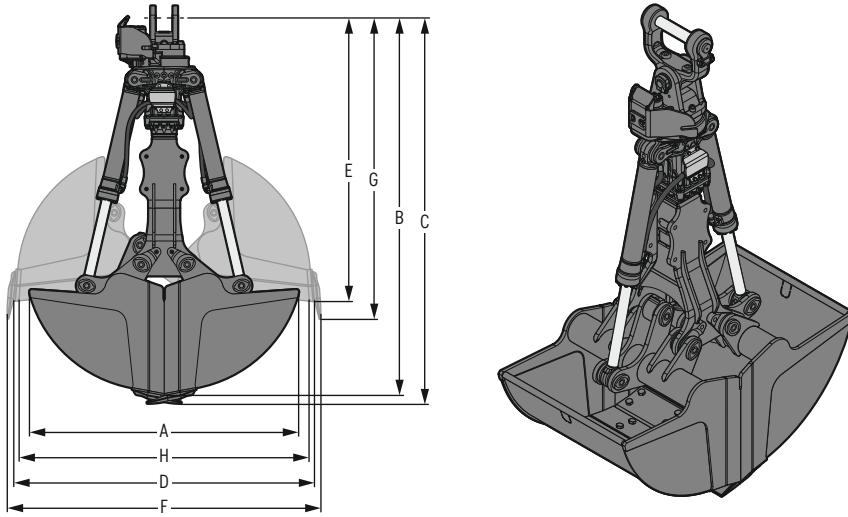
²⁾ 20 kg additional weight for swivel circuit with 2 motors

Technical data

Lift capacity max.	Grab open / close		Grab turning		1 motor 200 cm ³	Torque 1 motor 315 cm ³	2 motors 200 cm ³
	Pressure max.	Flow max.	Pressure max.	Flow max.			
15 t	36 MPa	250 l/min.	15 MPa	30 l/min.	1.38 kNm	2.16 kNm	2.77 kNm

Clamshell grab GMZ 40

Clamshell buckets, one-piece clamshell carrier



Machine range

Material handling machine	LH 24 - LH 50	Weight class 20 - 50 t
Wheeled excavator	A 920 - A 924	Weight class 20 - 40 t
Crawler excavator Compact	R 926 Compact - R 936 Compact	Weight class 20 - 40 t
Crawler excavator	R 922 - R 938	Weight class 20 - 40 t

Dimensions / weights

Capacity	Shell width	Number of teeth	Shells closed			Shells open					Weight ^{1) 2)}		
			A Width	B Height	C Height with teeth	D Width	E Height	F Width with teeth	G Height with teeth	H Opening width	without suspension	with HD suspension	with XHD suspension
m ³	mm	Piece	mm	mm	mm	mm	mm	mm	mm	mm	kg	kg	kg
0.65	800	5	1,821	2,547	2,600	2,035	1,914	2,122	2,033	1,962	1,245	1,320	1,345
0.85	1,000	7	1,821	2,547	2,600	2,035	1,914	2,122	2,033	1,962	1,330	1,405	1,430
1.05	1,200	9	1,821	2,547	2,600	2,035	1,914	2,122	2,033	1,962	1,420	1,495	1,520
1.20	1,400	9	1,821	2,547	2,600	2,035	1,914	2,122	2,033	1,962	1,505	1,580	1,605
1.40	1,600	11	1,821	2,547	2,600	2,035	1,914	2,122	2,033	1,962	1,595	1,670	1,695

¹⁾ the weight may vary depending on the suspension

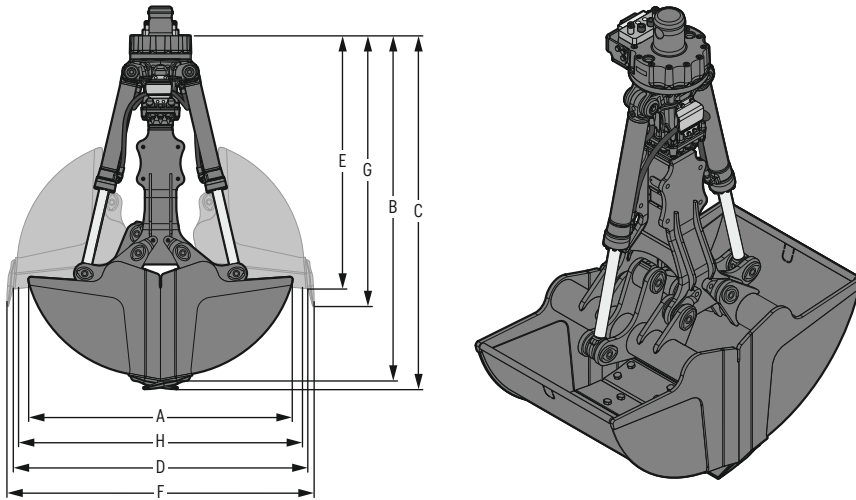
²⁾ 20 kg additional weight for swivel circuit with 2 motors

Technical data

Lift capacity max.	Grab open / close		Grab turning		1 motor 200 cm ³	Torque 1 motor 315 cm ³	2 motors 200 cm ³
	Pressure max.	Flow max.	Pressure max.	Flow max.			
15 t	36 MPa	250 l/min.	15 MPa	30 l/min.	1.38 kNm	2.16 kNm	2.77 kNm

Clamshell grab GMZ 40

Clamshell buckets, mounting MH 40¹⁾, one-piece clamshell carrier



Machine range

Material handling machine	LH 24 - LH 50	Weight class 20 - 50 t
Wheeled excavator	A 920 - A 924	Weight class 20 - 40 t
Crawler excavator Compact	R 926 Compact - R 936 Compact	Weight class 20 - 40 t
Crawler excavator	R 922 - R 938	Weight class 20 - 40 t

Dimensions / weights

Capacity	Shell width	Number of teeth	Shells closed			D Width	E Height	Shells open		H Opening width	Weight
			A Width	B Height	C Height with teeth			F Width with teeth	G Height with teeth		
m ³	mm	Piece	mm	mm	mm	mm	mm	mm	mm	mm	kg
0.65	800	5	1,821	2,384	2,438	2,035	1,751	2,122	1,870	1,962	1,245
0.85	1,000	7	1,821	2,384	2,438	2,035	1,751	2,122	1,870	1,962	1,330
1.05	1,200	9	1,821	2,384	2,438	2,035	1,751	2,122	1,870	1,962	1,420
1.20	1,400	9	1,821	2,384	2,438	2,035	1,751	2,122	1,870	1,962	1,505
1.40	1,600	11	1,821	2,384	2,438	2,035	1,751	2,122	1,870	1,962	1,595

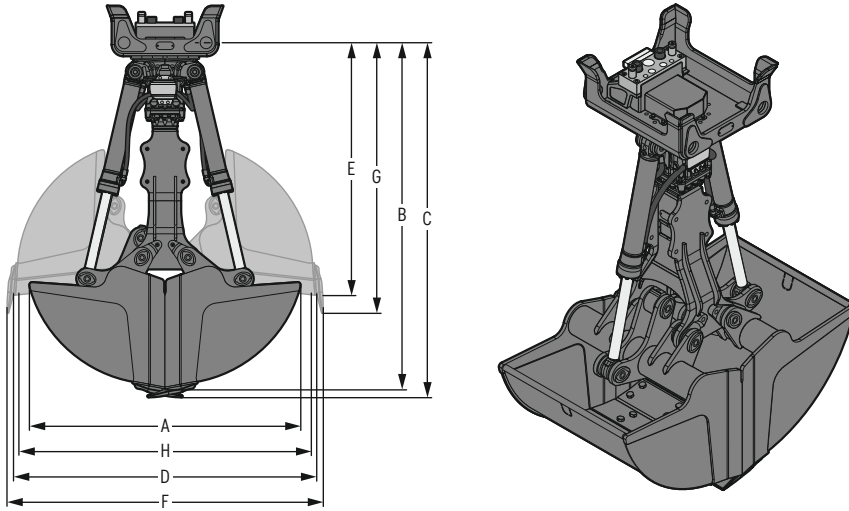
Technical data

Lift capacity max.	Grab open / close	Pressure max.	Flow max.
15 t		36 MPa	250 l/min.

¹⁾ for all MH 40 versions

Clamshell grab GMZ 40

Clamshell buckets, mounting MH 110¹⁾, one-piece clamshell carrier



Machine range

Material handling machine	LH 24 - LH 50	Weight class 20 - 50 t
Wheeled excavator	A 920 - A 924	Weight class 20 - 40 t
Crawler excavator Compact	R 926 Compact - R 936 Compact	Weight class 20 - 40 t
Crawler excavator	R 922 - R 938	Weight class 20 - 40 t

Dimensions / weights

Capacity	Shell width	Number of teeth	Shells closed			D Width	E Height	Shells open		H Opening width	Weight
			A Width	B Height	C Height with teeth			F Width with teeth	G Height with teeth		
m ³	mm	Piece	mm	mm	mm	mm	mm	mm	mm	mm	kg
0.65	800	5	1,821	2,330	2,384	2,035	1,697	2,122	1,816	1,962	1,335
0.85	1,000	7	1,821	2,330	2,384	2,035	1,697	2,122	1,816	1,962	1,420
1.05	1,200	9	1,821	2,330	2,384	2,035	1,697	2,122	1,816	1,962	1,510
1.20	1,400	9	1,821	2,330	2,384	2,035	1,697	2,122	1,816	1,962	1,595
1.40	1,600	11	1,821	2,330	2,384	2,035	1,697	2,122	1,816	1,962	1,685

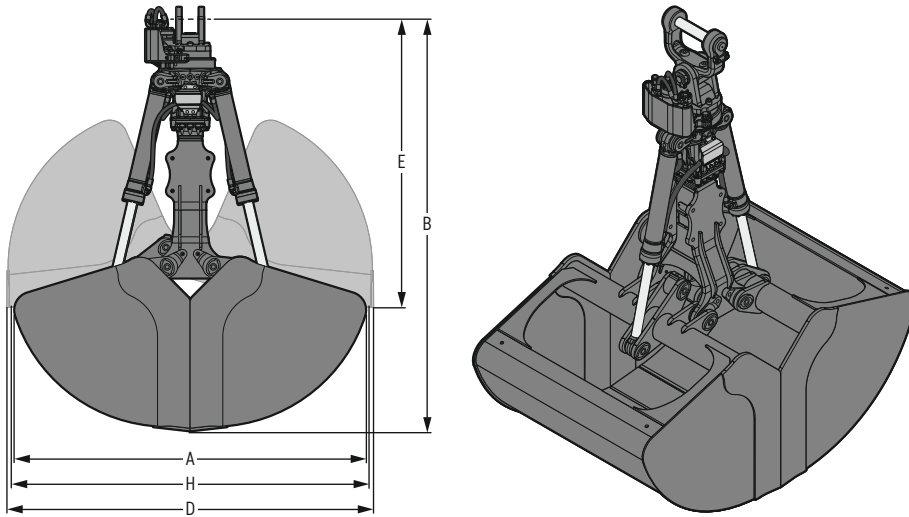
Technical data

Lift capacity max.	Pressure max.	Grab open / close	Flow max.
15 t	36 MPa		250 l/min.

¹⁾ for all MH 110 versions

Clamshell grab GMZ 40

Shells for loose material, one-piece clamshell carrier



Machine range

Material handling machine	LH 24 - LH 50	Weight class 20 - 50 t
---------------------------	---------------	------------------------

Dimensions / weights

Capacity	Shell width	Shell specification	Max. granule size	Max. material density	Shells closed		D Width	Shells open		H Opening width	without suspension	Weight ¹⁾²⁾	
					A Width	B Height		E Height	with HD suspension			with XHD suspension	
m ³	mm		mm	t/m ³	mm	mm	mm	mm	mm	kg	kg	kg	
2.10	1,190	Standard		2,6	2,364	2,675	2,472	1,845	2,412	1,640	1,715	1,740	
2.50	1,500	Standard		2,6	2,364	2,675	2,472	1,845	2,412	1,785	1,860	1,885	
3.00	1,750	Standard	40	2,0	2,364	2,675	2,472	1,845	2,412	1,905	1,980	2,005	
3.50	1,900	Standard	40	2,0	2,364	2,675	2,472	1,845	2,412	1,980	2,055	2,080	
4.00	2,150	Standard	40	1,1	2,364	2,675	2,472	1,845	2,412	2,240	2,315	2,340	
4.50	2,500	Standard	40	1,1	2,364	2,675	2,472	1,845	2,412	2,395	2,470	2,495	
1.20	1,190	Wide		2,6	1,835	2,423	1,961	1,819	1,901	1,440	1,515	1,540	
1.50	1,500	Wide		2,6	1,835	2,423	1,961	1,819	1,901	1,565	1,640	1,665	
1.75	1,750	Wide	40	2,0	1,835	2,423	1,961	1,819	1,901	1,670	1,745	1,770	
2.00	2,000	Wide	40	2,0	1,835	2,423	1,961	1,819	1,901	1,775	1,850	1,875	
2.25	2,250	Wide	40	1,1	1,835	2,423	1,961	1,819	1,901	1,950	2,025	2,050	
2.50	2,500	Wide	40	1,1	1,835	2,423	1,961	1,819	1,901	2,055	2,130	2,155	

¹⁾ the weight may vary depending on the suspension

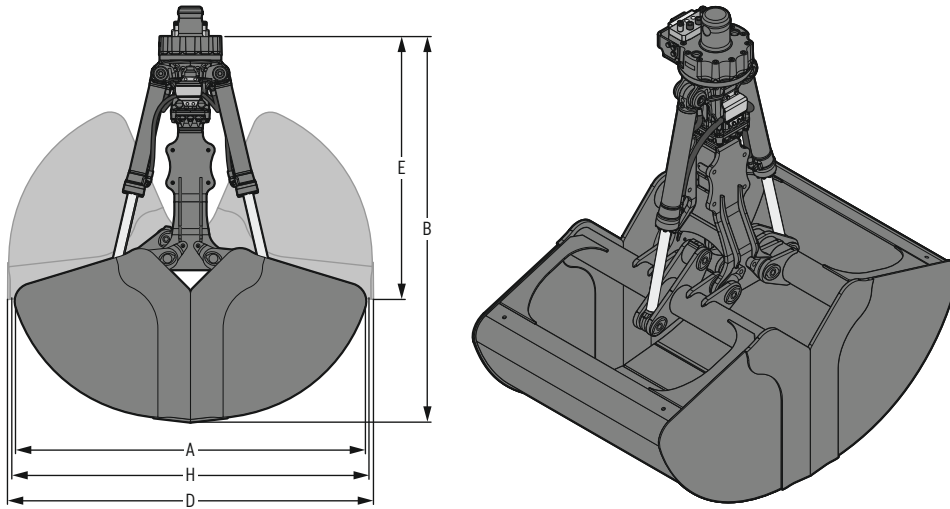
²⁾ 20 kg additional weight for swivel circuit with 2 motors

Technical data

Lift capacity max.	Grab open / close		Grab turning		1 motor 200 cm ³	Torque 1 motor 315 cm ³	2 motors 200 cm ³
	Pressure max.	Flow max.	Pressure max.	Flow max.			
15 t	36 MPa	250 l/min.	15 MPa	30 l/min.	1.38 kNm	2.16 kNm	2.77 kNm

Clamshell grab GMZ 40

Shells for loose material, mounting MH 40¹⁾, one-piece clamshell carrier



Machine range

Material handling machine | LH 24 - LH 50 | Weight class 20 - 50 t

Dimensions / weights

Capacity	Shell width	Shell specification	Max. granule size	Max. material density	Shells closed		D Width	Shells open		H Opening width	Weight
					A Width	B Height		E Height			
m ³	mm		mm	t/m ³	mm	mm	mm	mm	mm	kg	
2.10	1,190	Standard		2,6	2,364	2,605	2,472	1,775	2,412	1,675	
2.50	1,500	Standard		2,6	2,364	2,605	2,472	1,775	2,412	1,820	
3.00	1,750	Standard	40	2,0	2,364	2,605	2,472	1,775	2,412	1,940	
3.50	1,900	Standard	40	2,0	2,364	2,605	2,472	1,775	2,412	2,015	
4.00	2,150	Standard	40	1,1	2,364	2,605	2,472	1,775	2,412	2,275	
4.50	2,500	Standard	40	1,1	2,364	2,605	2,472	1,775	2,412	2,430	
1.20	1,190	Wide		2,6	1,834	2,353	1,961	1,749	1,901	1,475	
1.50	1,500	Wide		2,6	1,834	2,353	1,961	1,749	1,901	1,600	
1.75	1,750	Wide	40	2,0	1,834	2,353	1,961	1,749	1,901	1,705	
2.00	2,000	Wide	40	2,0	1,834	2,353	1,961	1,749	1,901	1,810	
2.25	2,250	Wide	40	1,1	1,834	2,353	1,961	1,749	1,901	1,985	
2.50	2,500	Wide	40	1,1	1,834	2,353	1,961	1,749	1,901	2,090	

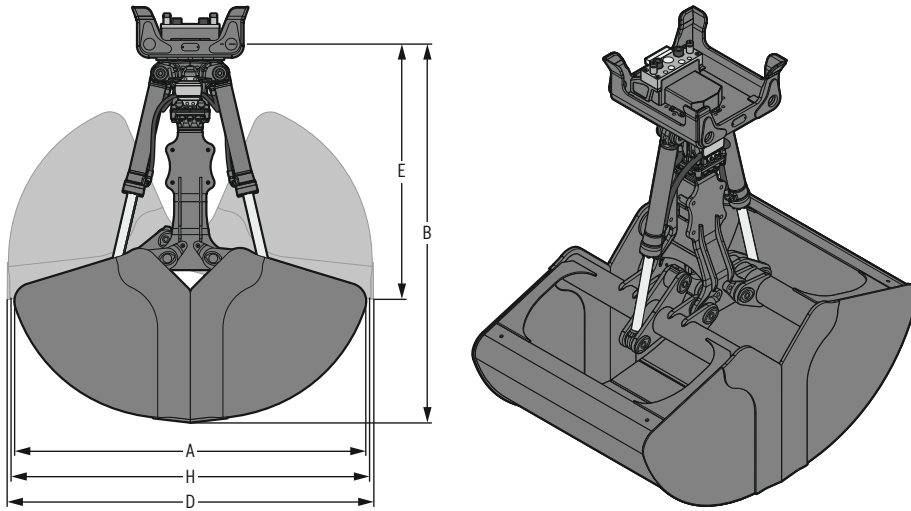
Technical data

Lift capacity max.	Pressure max.	Grab open / close	Flow max.
15 t	36 MPa		250 l/min.

¹⁾ for all MH 40 versions

Clamshell grab GMZ 40

Shells for loose material, mounting MH 110¹⁾, one-piece clamshell carrier



Machine range

Material handling machine

LH 24 - LH 50

Weight class 20 - 50 t

Dimensions / weights

Capacity	Shell width	Shell specification	Max. granule size	Max. material density	Shells closed		D Width	Shells open		Weight
					A Width	B Height		E Height	H Opening width	
m ³	mm		mm	t/m ³	mm	mm	mm	mm	mm	kg
2.10	1,190	Standard		2,6	2,364	2,551	2,472	1,721	2,412	1,730
2.50	1,500	Standard		2,6	2,364	2,551	2,472	1,721	2,412	1,875
3.00	1,750	Standard	40	2,0	2,364	2,551	2,472	1,721	2,412	1,995
3.50	1,900	Standard	40	2,0	2,364	2,551	2,472	1,721	2,412	2,070
4.00	2,150	Standard	40	1,1	2,364	2,551	2,472	1,721	2,412	2,330
4.50	2,500	Standard	40	1,1	2,364	2,551	2,472	1,721	2,412	2,485
1.20	1,190	Wide		2,6	1,834	2,299	1,961	1,695	1,901	1,530
1.50	1,500	Wide		2,6	1,834	2,299	1,961	1,695	1,901	1,655
1.75	1,750	Wide	40	2,0	1,834	2,299	1,961	1,695	1,901	1,760
2.00	2,000	Wide	40	2,0	1,834	2,299	1,961	1,695	1,901	1,865
2.25	2,250	Wide	40	1,1	1,834	2,299	1,961	1,695	1,901	2,040
2.50	2,500	Wide	40	1,1	1,834	2,299	1,961	1,695	1,901	2,145

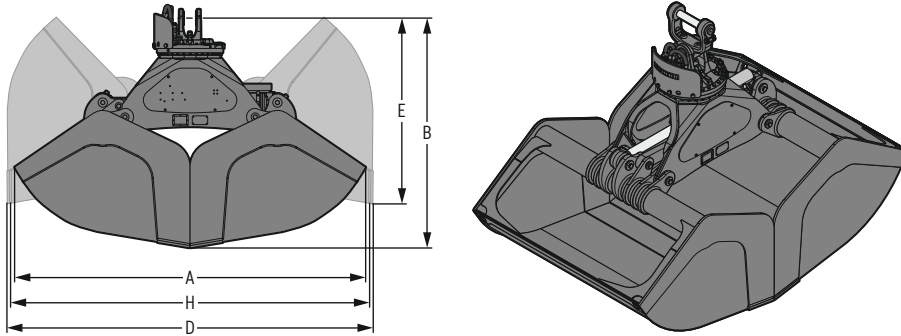
Technical data

Lift capacity max.	Pressure max.	Grab open / close	Flow max.
15 t	36 MPa		250 l/min.

¹⁾ for all MH 110 versions

Clamshell grab GMZ 50

Shells for loose material, one-piece clamshell carrier



Machine range

Material handling machine	LH 40 - LH 150	Weight class 36 - 150 t
---------------------------	----------------	-------------------------

Dimensions / weights

Capacity	Shell width	Max. granule size	Max. material density	Shells closed		D Width	Shells open		Weight ¹⁾	
				A Width	B Height		E Height	H Opening width	without suspension	with XHD suspension
m ³	mm	mm	t/m ³	mm	mm	mm	mm	mm	kg	kg
3.50	1,400	20	1,6	3,233	2,122	3,376	1,713	3,306	2,530	2,615
4.00	1,600	20	1,6	3,233	2,122	3,376	1,713	3,306	2,665	2,750
4.50	1,800	20	1,1	3,233	2,122	3,376	1,713	3,306	2,740	2,825

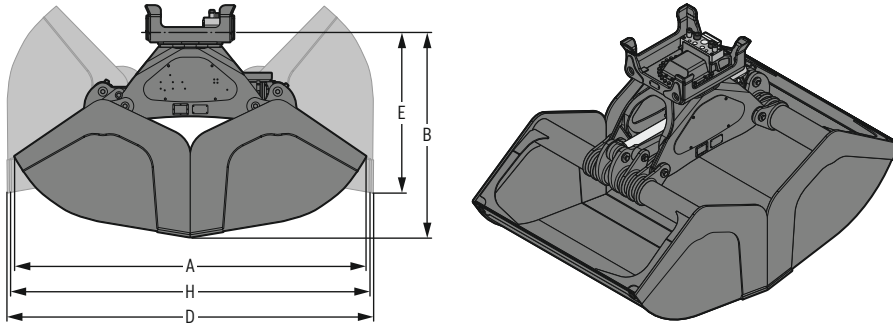
¹⁾ the weight may vary depending on the suspension

Technical data

Lift capacity max.	Pressure max.	Grab open / close Flow max.	Grab turning Pressure max.	Flow max.	Torque 2 motors 200 cm ³
30 t	36 MPa	300 l/min.	15 MPa	50 l/min.	3.73 kNm

Clamshell grab GMZ 50

Shells for loose material, mounting MH 110¹⁾, one-piece clamshell carrier



Machine range

Material handling machine	LH 40 - LH 150	Weight class 36 - 150 t
---------------------------	----------------	-------------------------

Dimensions / weights

Capacity	Shell width	Max. granule size	Max. material density	Shells closed		D Width	Shells open		H Opening width	Weight
				A Width	B Height		E Height			
m ³	mm	mm	t/m ³	mm	mm	mm	mm	mm	kg	
3.50	1,400	20	1,6	3,233	1,884	3,376	1,480	3,306	2,480	
4.00	1,600	20	1,6	3,233	1,884	3,376	1,480	3,306	2,615	
4.50	1,800	20	1,1	3,233	1,884	3,376	1,480	3,306	2,690	

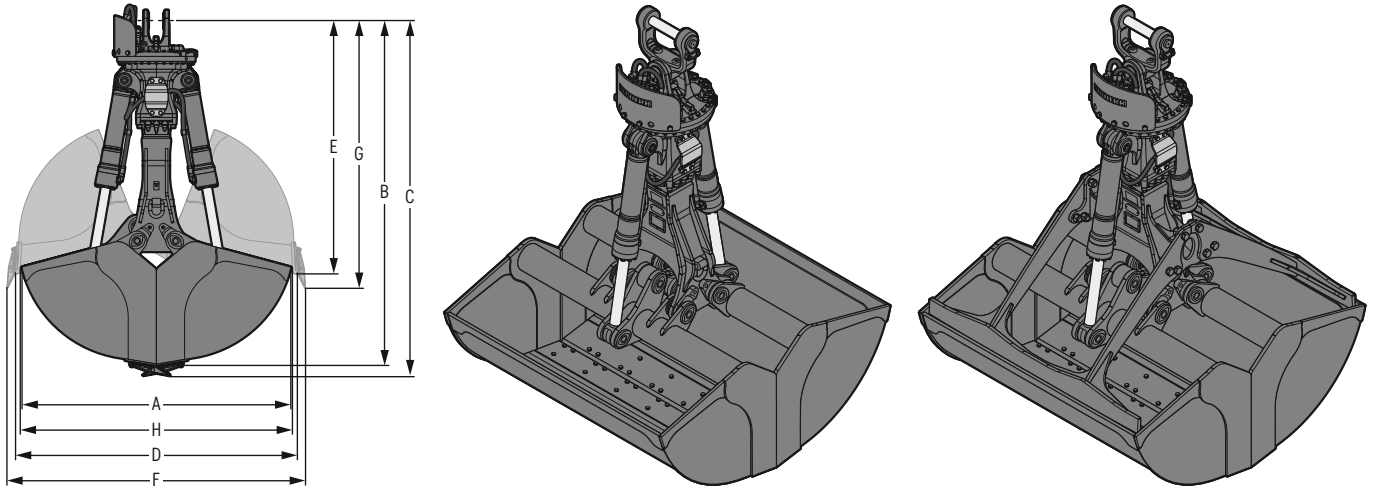
Technical data

Lift capacity max.	Pressure max.	Grab open / close	Flow max.
30 t	36 MPa		300 l/min.

¹⁾ for all MH 110 versions

Clamshell grab GMZ 80

Clamshell buckets, one-piece clamshell carrier



Machine range

Material handling machine	LH 40 - LH 110	Weight class 30 - 70 t
Crawler excavator	R 930 - R 966	Weight class 30 - 70 t

Dimensions / weights

Capacity	Shell width	Number of teeth	Shells closed			D Width	E Height	Shells open		H Opening width	Weight ¹⁾	
			A Width	B Height	C Height with teeth			F Width with teeth	G Height with teeth		without suspension	with XHD suspension
m ³	mm	Piece	mm	mm	mm	mm	mm	mm	mm	kg	kg	
1.40	1,200	7	2,099	2,693	2,773	2,201	1,979	2,335	2,092	2,128	2,085	2,170
1.40	1,200	0	2,099	2,693		2,201	1,979			2,128	2,045	2,130
1.70	1,400	9	2,099	2,693	2,773	2,201	1,979	2,332	2,092	2,128	2,190	2,275
1.70	1,400	0	2,099	2,693		2,201	1,979			2,128	2,140	2,225
2.00	1,650	11	2,099	2,693	2,773	2,201	1,979	2,332	2,092	2,128	2,330	2,415
2.00	1,650	0	2,099	2,693		2,201	1,979			2,128	2,260	2,345
2.50	2,000	13	2,099	2,693	2,773	2,201	1,979	2,332	2,092	2,128	2,510	2,595
2.50	2,000	0	2,099	2,693		2,201	1,979			2,128	2,435	2,520

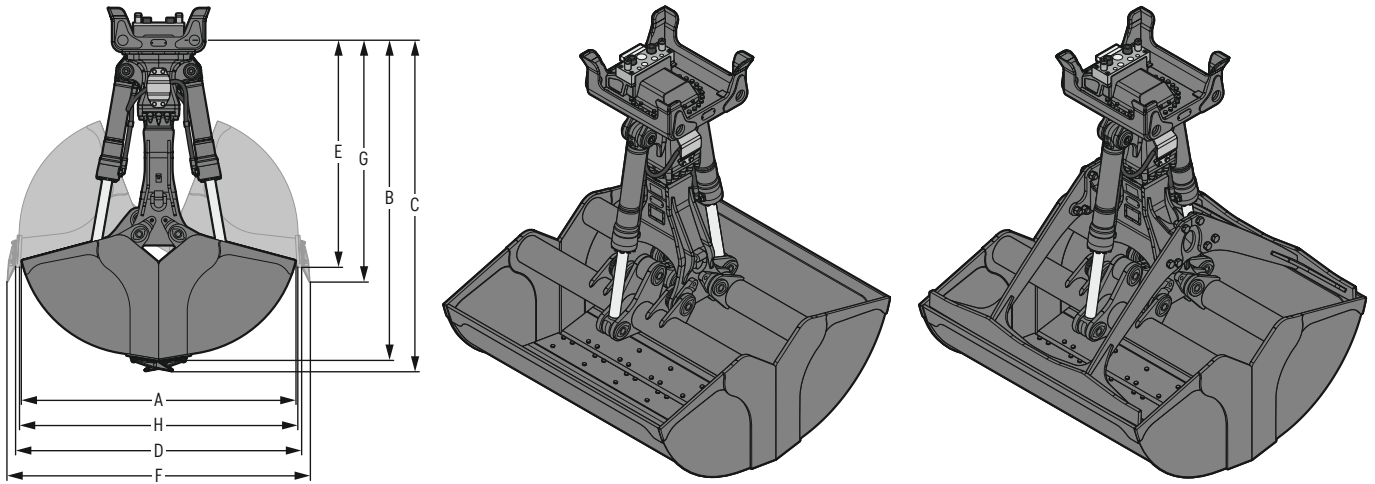
¹⁾ the weight may vary depending on the suspension

Technical data

Lift capacity max.	Pressure max.	Grab open / close Flow max.	Pressure max.	Grab turning Flow max.	Torque 2 motors 200 cm ³
30 t	36 MPa	300 l/min.	15 MPa	50 l/min.	3.73 kNm

Clamshell grab GMZ 80

Clamshell buckets, mounting MH 110¹⁾, one-piece clamshell carrier



Machine range

Material handling machine	LH 40 - LH 110	Weight class 30 - 70 t
Crawler excavator	R 930 - R 966	Weight class 30 - 70 t

Dimensions / weights

Capacity	Shell width	Number of teeth	Shells closed			D Width	E Height	Shells open		H Opening width	Weight
			A Width	B Height	C Height with teeth			F Width with teeth	G Height with teeth		
m ³	mm	Piece	mm	mm	mm	mm	mm	mm	mm	mm	kg
1.40	1,200	7	2,099	2,461	2,541	2,201	1,747	2,335	1,860	2,128	2,020
1.40	1,200	0	2,099	2,461		2,201	1,747			2,128	1,980
1.70	1,400	9	2,099	2,461	2,541	2,201	1,747	2,332	1,860	2,128	2,125
1.70	1,400	0	2,099	2,461		2,201	1,747			2,128	2,075
2.00	1,650	11	2,099	2,461	2,541	2,201	1,747	2,332	1,860	2,128	2,265
2.00	1,650	0	2,099	2,461		2,201	1,747			2,128	2,195
2.50	2,000	13	2,099	2,461	2,541	2,201	1,747	2,332	1,860	2,128	2,445
2.50	2,000	0	2,099	2,461		2,201	1,747			2,128	2,370

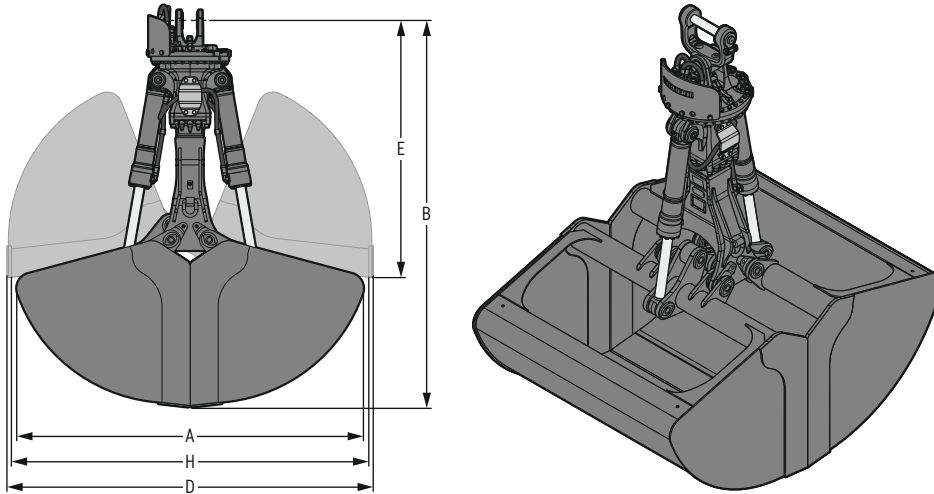
Technical data

Lift capacity max.	Grab open / close	Flow max.
30 t	Pressure max. 36 MPa	300 l/min.

¹⁾ for all MH 110 versions

Clamshell grab GMZ 80

Shells for loose material, one-piece clamshell carrier



Machine range

Material handling machine | LH 40 - LH 110 | Weight class 30 - 110 t

Dimensions / weights

Capacity	Shell width	Shell specification	Max. granule size	Max. material density	Shells closed		D Width	Shells open		Weight ¹⁾	
					A Width	B Height		E Height	H Opening width	without suspension	with XHD suspension
m ³	mm		mm	t/m ³	mm	mm	mm	mm	mm	kg	kg
3.00	1,300	Standard		2,6	2,717	3,032	2,871	2,017	2,801	2,425	2,510
3.50	1,500	Standard		2,6	2,717	3,032	2,871	2,017	2,801	2,540	2,625
4.00	1,750	Standard		2,0	2,717	3,032	2,871	2,017	2,801	2,690	2,775
4.50	2,000	Standard	40	2,0	2,717	3,032	2,871	2,017	2,801	2,835	2,920
5.00	2,200	Standard	40	1,1	2,717	3,032	2,871	2,017	2,801	3,170	3,255
6.00	2,600	Standard	40	1,1	2,717	3,032	2,871	2,017	2,801	3,405	3,490
7.00	3,000	Standard	40	0,8	2,717	3,032	2,871	2,017	2,801	3,635	3,720
8.00	3,400	Standard	40	0,8	2,717	3,032	2,871	2,017	2,801	3,870	3,955
2.00	1,300	Wide		2,6	2,262	2,794	2,401	1,990	2,331	2,225	2,310
2.30	1,500	Wide		2,6	2,262	2,794	2,401	1,990	2,331	2,315	2,400
2.70	1,700	Wide		2,0	2,262	2,794	2,401	1,990	2,331	2,450	2,535
3.00	2,000	Wide	40	1,1	2,262	2,794	2,401	1,990	2,331	2,585	2,670
3.40	2,200	Wide	40	1,1	2,262	2,794	2,401	1,990	2,331	2,810	2,895

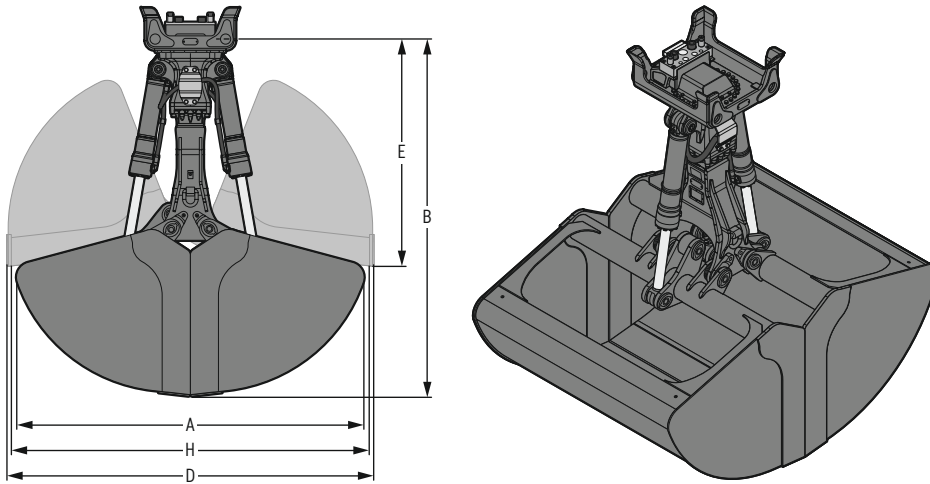
¹⁾ the weight may vary depending on the suspension

Technical data

Lift capacity max.	Pressure max.	Grab open / close Flow max.	Pressure max.	Grab turning Flow max.	Torque 2 motors 200 cm ³
30 t	36 MPa	300 l/min.	15 MPa	50 l/min.	3.73 kNm

Clamshell grab GMZ 80

Shells for loose material, mounting MH 110¹⁾, one-piece clamshell carrier



Machine range

Material handling machine | LH 40 - LH 110 | Weight class 30 - 110 t

Dimensions / weights

Capacity	Shell width	Shell specification	Max. granule size	Max. material density	Shells closed		D Width	Shells open		Weight
					A Width	B Height		E Height	H Opening width	
m ³	mm		mm	t/m ³	mm	mm	mm	mm	mm	kg
3.00	1,300	Standard		2,6	2,717	2,799	2,871	1,784	2,801	2,360
3.50	1,500	Standard		2,6	2,717	2,799	2,871	1,784	2,801	2,475
4.00	1,750	Standard		2,0	2,717	2,799	2,871	1,784	2,801	2,625
4.50	2,000	Standard	40	2,0	2,717	2,799	2,871	1,784	2,801	2,770
5.00	2,200	Standard	40	1,1	2,717	2,799	2,871	1,784	2,801	3,105
6.00	2,600	Standard	40	1,1	2,717	2,799	2,871	1,784	2,801	3,340
7.00	3,000	Standard	40	0,8	2,717	2,799	2,871	1,784	2,801	3,570
8.00	3,400	Standard	40	0,8	2,717	2,799	2,871	1,784	2,801	3,805
2.00	1,300	Wide		2,6	2,262	2,561	2,401	1,757	2,331	2,160
2.30	1,500	Wide		2,6	2,262	2,561	2,401	1,757	2,331	2,250
2.70	1,700	Wide		2,0	2,262	2,561	2,401	1,757	2,331	2,385
3.00	2,000	Wide	40	1,1	2,262	2,561	2,401	1,757	2,331	2,520
3.40	2,200	Wide	40	1,1	2,262	2,561	2,401	1,757	2,331	2,745

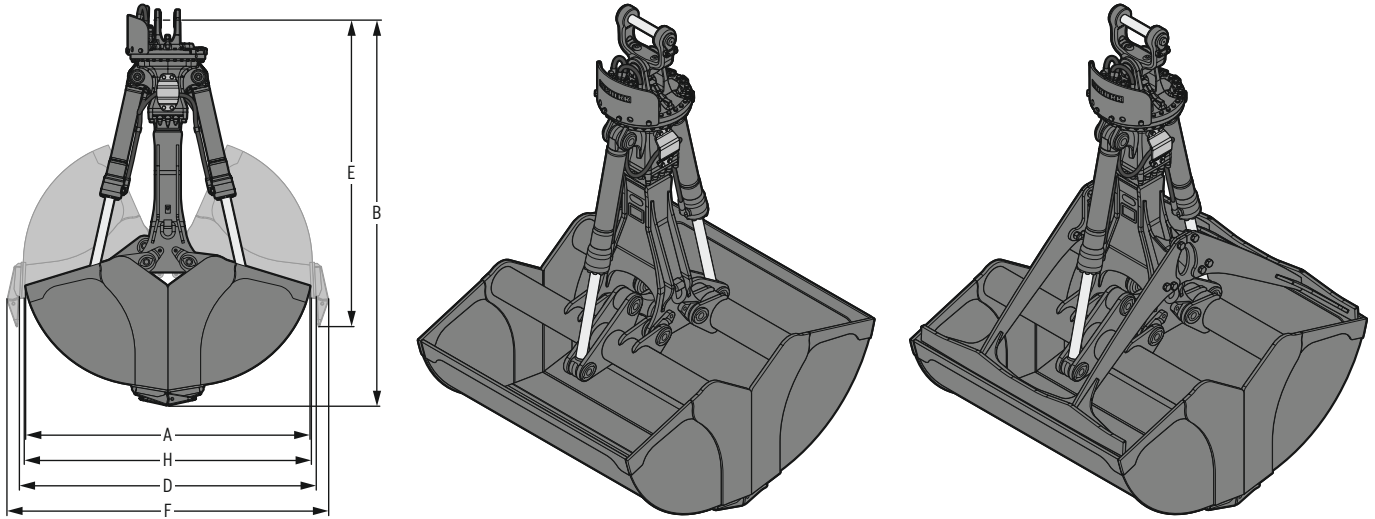
Technical data

Lift capacity max.	Pressure max.	Grab open / close	Flow max.
30 t	36 MPa		300 l/min.

¹⁾ for all MH 110 versions

Clamshell grab GMZ 120

Clamshell buckets, one-piece clamshell carrier



Machine range

Material handling machine	LH 60 - LH 150	Weight class 55 - 150 t
Crawler excavator	R 956 - R 970 SME	Weight class 50 - 80 t

Dimensions / weights

Capacity	Shell width	Number of teeth	Shells closed			D Width	E Height	Shells open		H Opening width	Weight ¹⁾	
			A Width	B Height	C Height with teeth			F Width with teeth	G Height with teeth		without suspension	with XHD suspension
m ³	mm	Piece	mm	mm	mm	mm	mm	mm	mm	kg	kg	
3.20	2,000	0	2,336	3,058		2,439	2,288		2,359	2,890	2,975	
3.20	2,000	9	2,336	3,058	3,161	2,439	2,288	2,643	2,519	2,359	3,125	3,210

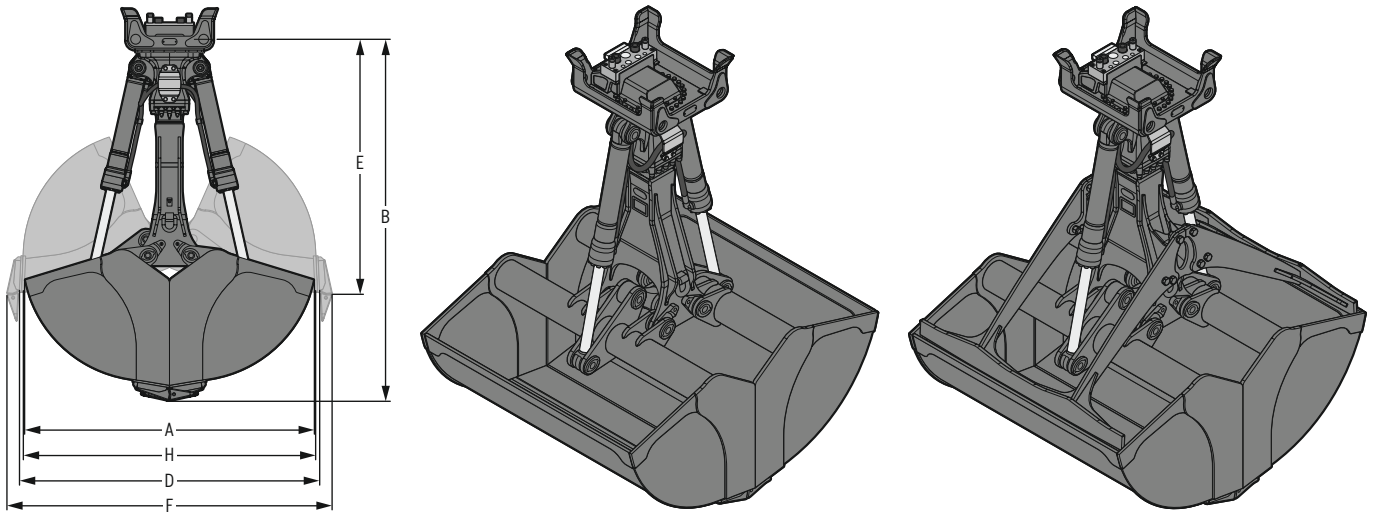
¹⁾ the weight may vary depending on the suspension

Technical data

Lift capacity max.	Pressure max.	Grab open / close Flow max.	Pressure max.	Grab turning Flow max.	Torque 2 motors 200 cm ³
30 t	36 MPa	300 l/min.	15 MPa	50 l/min.	3.73 kNm

Clamshell grab GMZ 120

Clamshell buckets, mounting MH 110¹⁾, one-piece clamshell carrier



Machine range

Material handling machine	LH 60 - LH 150	Weight class 55 - 150 t
Crawler excavator	R 956 - R 970 SME	Weight class 50 - 80 t

Dimensions / weights

Capacity	Shell width	Number of teeth	Shells closed			D Width	E Height	Shells open		H Opening width	Weight
			A Width	B Height	C Height with teeth			F Width with teeth	G Height with teeth		
m ³	mm	Piece	mm	mm	mm	mm	mm	mm	mm	mm	kg
3.20	2,000	0	2,336	2,826		2,439	2,056			2,359	2,825
3.20	2,000	9	2,336	2,826	2,929	2,439	2,056	2,643	2,287	2,359	3,060

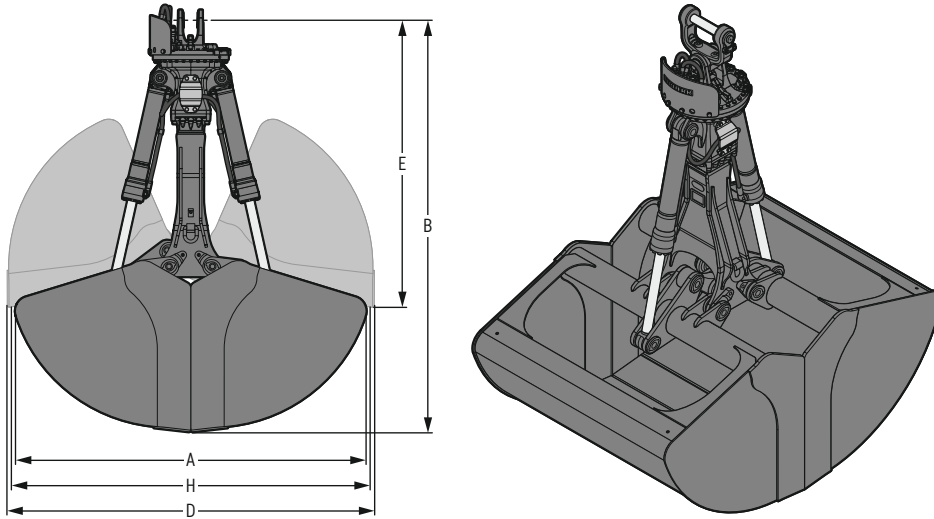
Technical data

Lift capacity max.	Grab open / close	Pressure max.	Flow max.
30 t		36 MPa	300 l/min.

¹⁾ for all MH 110 versions

Clamshell grab GMZ 120

Shells for loose material, one-piece clamshell carrier



Machine range

Material handling machine | LH 60 - LH 150 | Weight class 55 - 150 t

Dimensions / weights

Capacity	Shell width	Max. granule size	Max. material density	Shells closed		D Width	Shells open		Weight ¹⁾	
				A Width	B Height		E Height	H Opening width	without suspension	with XHD suspension
m ³	mm	mm	t/m ³	mm	mm	mm	mm	mm	kg	kg
4.00	1,600		2,6	2,831	3,324	2,966	2,319	2,896	2,920	3,005
4.50	1,800		2,6	2,831	3,324	2,966	2,319	2,896	3,055	3,140
5.00	2,000	40	2,0	2,831	3,324	2,966	2,319	2,896	3,195	3,280
5.50	2,200	40	2,0	2,831	3,324	2,966	2,319	2,896	3,545	3,630
6.00	2,400	40	1,1	2,831	3,324	2,966	2,319	2,896	3,690	3,775
7.00	2,800	40	1,1	2,831	3,324	2,966	2,319	2,896	3,955	4,040
8.00	3,200	40	0,8	2,831	3,324	2,966	2,319	2,896	4,245	4,330

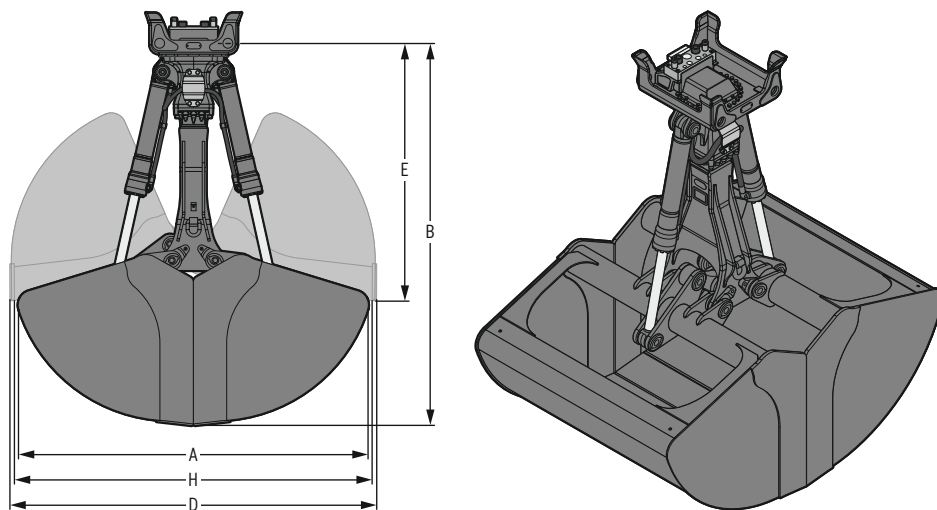
¹⁾ the weight may vary depending on the suspension

Technical data

Lift capacity max.	Pressure max.	Grab open / close Flow max.	Pressure max.	Grab turning Flow max.	Torque 2 motors 200 cm ³
30 t	36 MPa	300 l/min.	15 MPa	50 l/min.	3.73 kNm

Clamshell grab GMZ 120

Shells for loose material, mounting MH 110¹⁾, one-piece clamshell carrier



Machine range

Material handling machine	LH 60 - LH 150	Weight class 55 - 150 t
---------------------------	----------------	-------------------------

Dimensions / weights

Capacity	Shell width	Max. granule size	Max. material density	Shells closed		D Width	Shells open		H Opening width	Weight
				A Width	B Height		E Height			
m ³	mm	mm	t/m ³	mm	mm	mm	mm	mm	kg	
4.00	1,600		2,6	2,831	3,092	2,966	2,087	2,896	2,855	
4.50	1,800		2,6	2,831	3,092	2,966	2,087	2,896	2,990	
5.00	2,000	40	2,0	2,831	3,092	2,966	2,087	2,896	3,130	
5.50	2,200	40	2,0	2,831	3,092	2,966	2,087	2,896	3,480	
6.00	2,400	40	1,1	2,831	3,092	2,966	2,087	2,896	3,755	
7.00	2,800	40	1,1	2,831	3,092	2,966	2,087	2,896	3,890	
8.00	3,200	40	0,8	2,831	3,092	2,966	2,087	2,896	4,180	

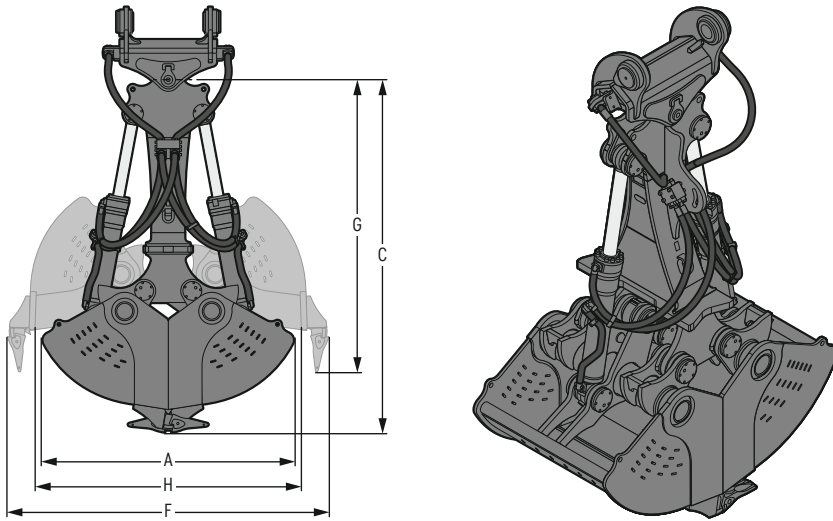
Technical data

Lift capacity max.	Grab open / close	Flow max.
30 t	Pressure max. 36 MPa	300 l/min.

¹⁾ for all MH 110 versions

Clamshell grab GMZ 180

Clamshell buckets, one-piece clamshell carrier



Machine range

Material handling machine	LH 60 - LH 150	Weight class 80 - 200 t
Crawler excavator	R 976 - R 9200	Weight class 80 - 200 t

Dimensions / weights

Capacity	Shell width	Number of teeth	Shell specification	Shells closed			D Width	E Height	Shells open		Weight ¹⁾		
				A Width	B Height	C Height with teeth			F Width with teeth	G Height with teeth	H Opening width	without suspension	with special suspension
2.00 m ³	1,500 mm	4 Pieces	Special	2,592 mm		3,646 mm			3,323 mm	3,022 mm	2,753 mm	6,770 kg	7,320 kg

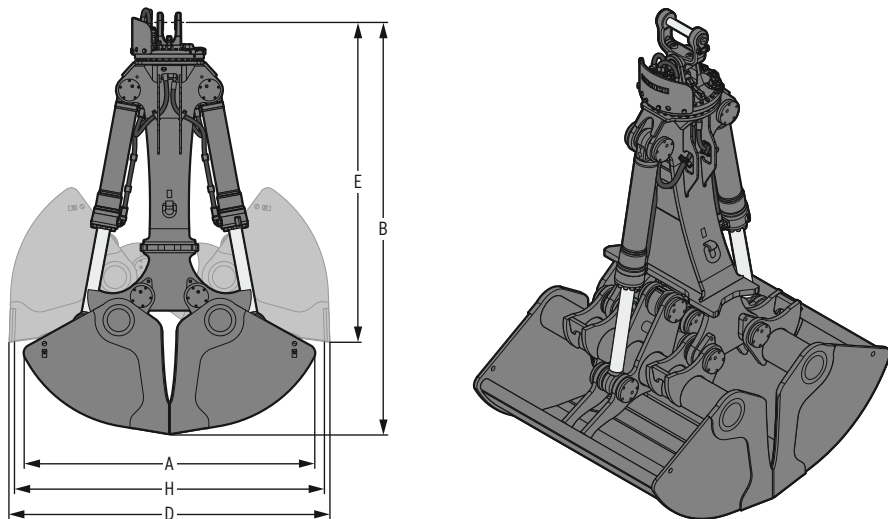
¹⁾ the weight may vary depending on the suspension

Technical data

Lift capacity max.	Pressure max.	Grab open / close	Flow max.
50 t	36 MPa		400 l/min.

Clamshell grab GMZ 180B

Special shells, one-piece clamshell carrier



Machine range

Material handling machine	LH 60 - LH 150	Weight class 80 - 200 t
Crawler excavator	R 976 - R 9200	Weight class 80 - 200 t

Dimensions / weights

Capacity	Shell width	Number of teeth	Shell specification	Shells closed		C Height with teeth	D Width	E Height	Shells open		Weight ¹⁾		
				A Width	B Height				F Width with teeth	G Height with teeth	H Opening width	without suspension	with XHD suspension
3.00 m ³	2,000 mm	0 Pieces	Special	2,581 mm	3,654 mm		2,851 mm	2,842 mm			2,754 mm	6,025 kg	6,110 kg

¹⁾ the weight may vary depending on the suspension

Technical data

Lift capacity max.	Pressure max.	Grab open / close		Pressure max.	Grab turning	Flow max.	Torque 2 motors 200 cm ³
		Flow max.					
30 t	36 MPa	400 l/min.		15 MPa		50 l/min.	3.73 kNm

Guide values for bulk goods weights

	t/m ³
Coke	0.50
Wood chips / sawdust	0.50
Paper	0.60
shredded / loose	0.60
waste paper / cardboard	1.00
Compost	0.80
dry	0.80
wet	1.00
Cereal crops	0.90
Coal	0.90
light material density	0.90
heavy material density	1.20
Glass waste	1.00
solid	1.00
broken	1.40
Topsoil	1.10
Fertilizers	1.30

	t/m ³
Earth	1.30
dry	1.30
wet excavated	1.60
Clay / gravel	1.40
dry	1.40
wet	1.60
Clay	1.40
hard	1.40
natural	1.60
Bauxite	1.40
Gravel	1.50
crushed stone	1.50
dry	1.60
moist	1.90
Sand	1.50
dry	1.50
wet	1.90
Sandstone	1.60

	t/m ³
Sand / clay	1.60
Limestone	1.60
Gravel and sand	1.70
dry	1.70
wet	2.00
Slate	1.75
Granite	1.80
Gypsum	1.80
broken	1.80
Slag	1.80
broken	1.80
Basalt	1.95

Equipment

Suspension

	GM 5B Clamshell buckets	GM 8B Clamshell buckets	GMZ 22 Clamshell buckets	GMZ 22 Combination buckets	GMZ 22 Track construction buckets	GMZ 24 Clamshell buckets	GMZ 24 Clamshell buckets SW	GMZ 24 Round hole shells	GMZ 30 Clamshell buckets	GMZ 40 Clamshell buckets	GMZ 80 Clamshell buckets	GMZ 120 Clamshell buckets	GMZ 180 Clamshell buckets	GMZ 180B Special shells	GM 8B Shells for loose material	GMZ 26 Shells for loose material	GMZ 40 Shells for loose material	GMZ 50 Shells for loose material	GMZ 80 Shells for loose material	GMZ 120 Shells for loose material
Suspension for direct mounting	●	●	●	●	●	●	●	●	●	●	●	●	●	●	●	●	●	●	●	●
SW suspension separable for direct mounting ¹⁾		+	+	+	+	+	+	+	+	+	+	+	+	+	+	+	+	+	+	+
Suspension for industrial SWA mechanical		+	+	+	+	+	+	+	+	+	+	+	+	+	+	+	+	+	+	+
Suspension for SW industrial stick (hydraulic)		+	+	+	+	+	+	+	+	+	+	+	+	+	+	+	+	+	+	+
MH 40 LIKUFIX ²⁾																				
MH 110 LIKUFIX ²⁾																				
Screw coupling	●	●	●	●	●	●	●	●	●	●	●	●	●	●	●	●	●	●	●	●
Multi coupling system		+	+	+	+	+	+	+	+	+	+	+	+	+	+	+	+	+	+	+
SWA 33 mechanical	+	+	+	+	+	+	+	+	+	+	+	+	+	+	+	+	+	+	+	+
SWA 33 hydraulic	+	+	+	+	+	+	+	+	+	+	+	+	+	+	+	+	+	+	+	+
SWA 33 LIKUFIX	+	+	+	+	+	+	+	+	+	+	+	+	+	+	+	+	+	+	+	+
SWA 48 mechanical	+	+	+	+	+	+	+	+	+	+	+	+	+	+	+	+	+	+	+	+
SWA 48 hydraulic	+	+	+	+	+	+	+	+	+	+	+	+	+	+	+	+	+	+	+	+
SWA 48 LIKUFIX	+	+	+	+	+	+	+	+	+	+	+	+	+	+	+	+	+	+	+	+
SWA 66 mechanical										+	+	+	+	+	+	+	+	+	+	+
SWA 66 hydraulic										+	+	+	+	+	+	+	+	+	+	+
SWA 66 LIKUFIX										+	+	+	+	+	+	+	+	+	+	+
SWA 77 mechanical										+	+	+	+	+	+	+	+	+	+	+
SWA 77 hydraulic										+	+	+	+	+	+	+	+	+	+	+
SWA 92 mechanical										+	+	+	+	+	+	+	+	+	+	+
SWA 92 hydraulic										+	+	+	+	+	+	+	+	+	+	+
Tool Management ³⁾		+	+	+	+	+	+	+	+	+	+	+	+	+	+	+	+	+	+	+

Other conventional suspension types for all main machine makes available on request.

Grab

1 motor 200 cm ³	●	●	●	●	●	●	●	●	●	●	●	●	●	●	●	●	●	●	●	●
1 motor 315 cm ³			+	+	+	+	+	+	+	+	+	+	+	+	+	+	+	+	+	+
2 motors 200 cm ³			+	+	+	+	+	+	+	+	●	●	●	●	+	+	+	●	●	●
2 motors 315 cm ³			+	+	+	+	+	+	+	+	+	+	+	+	+	+	+	+	+	+
Soft start																				
Motor guard			+	+	+	+	+	+	+	+	●	●	●	●	+	+	+	●	●	●
Clamshell carrier splitted	●	●	●	●	●	●	●	●	●	●	●	●	●	●	●	●	●	●	●	●
Clamshell carrier splitted SW							●													
Clamshell carrier single-piece										●	●	●	●	●	●	●	●	●	●	●
Cylinder hose protection																				
Protection for piston rod			●	●	●	+	+	+	●	+	+	+	+	+	+	+	+	+	+	+
Water sprinkling system																				
Water slits													●							
Ejector		+	+	+	+	+	+		+	+	+	+	+	+						
Internal web (side reinforcement)											+	+	+	+						
Shell cover															+		+	+	+	+
Central lubrication system (from the carrier machine) ⁴⁾										+	+	+	+	+	+	+	+	+	+	+
Lashing eyelets			+	+	+	+ ⁵⁾		+ ⁶⁾	+		●	●	●	●				●	●	●
Sealing kit																				
Bolt-on cutting edge											+	+	+	+	+	+	+	+	+	+
Teeth	+	+	+	+	+	+	+	+	+	+	+	+	+	+	+	+	+	+	+	+
Grab extension	+	+	+	+	+	+	+	+	+	+	+	+	+	+	+	+	+	+	+	+

¹⁾ possible for all LH machines, only for machines from other manufacturers by agreement

²⁾ for all MH 40/MH 110 versions

³⁾ only possible for SWA 48 LIKUFIX and SWA 66 LIKUFIX

⁴⁾ not possible with LIKUFIX

⁵⁾ possible for shell width from 600 mm

⁶⁾ possible for shell diameter from 1,000 mm

● = Standard, + = Option

Liebherr-Hydraulikbagger GmbH

Liebherrstraße 12 · 88457 Kirchdorf/Iller, Germany · Phone +49 7354 80-0 · Fax +49 7354 80-72 94

info.lhb@liebherr.com · www.liebherr.com · www.facebook.com/LiebherrConstruction