

Longevity, performance and flexibility

Slewing Bearings for Mining Applications



LIEBHERR



Liebherr, mining and bearing expert

Liebherr is one of the world's leading producers of slewing bearings. The bearings are produced in the factories at Biberach an der Riss, Germany, in Monterrey, Mexico and in Guaratinguetá, Brazil, in various dimensions and versions in accordance with customer specifications and ISO 9001:2008.

Based upon decades of knowledge as a bearing manufacturer and close collaboration with mining equipment owners and mining companies, Liebherr understands the need for equipment to operate longer at a reduced cost per hour while being able to increase productivity.

Application examples

- Excavators
- Shovels
- Stacker Reclaimers
- Bucket Wheel Excavators
- Overburden Spreaders
- Conveyors
- Thickeners



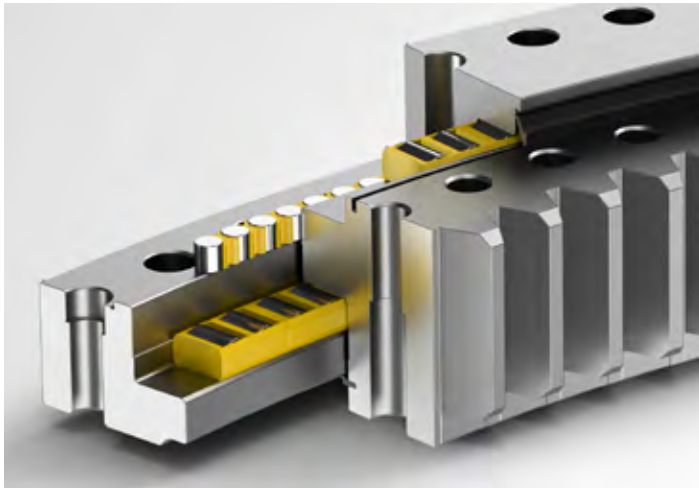


Standard and custom bearings

We develop and manufacture resilient components with high availability for deployment in surface mining and deep mining. All corporate processes at Liebherr are focussed on quality, from the selection of raw materials and suppliers to the after-sales service. In addition to customised projects, our portfolio contains a comprehensive standard programme of one-piece Liebherr slewing bearings up to 7,500 mm diameter. Special coatings, lubrication and other features are available to meet unique requirements as well as manufacturing to original OEM specs or design practices.

Technical information

Outer diameter	800 – 7,500 mm (for larger dimensions: segmented bearings)
Gearing	with external gears with internal gears no gear special gearing upon request
Gear module	8 – 50 mm





Optimized bearings

The optimal design and calculation of the components is decisive for the reliability and longevity of Liebherr slewing bearings. Every single bearing is therefore comprehensively checked and evaluated for specific requirements in the development and prototype stage.

- Optimization of every replacement bearing, independent of OEM
- Higher static and dynamic load capacity for higher service life than the original
- Improvement of raceway geometry, hardened surfaces, spacers and much more



Liebherr Components



Gas engines



Diesel engines



Fuel injection systems



Axial piston hydraulics



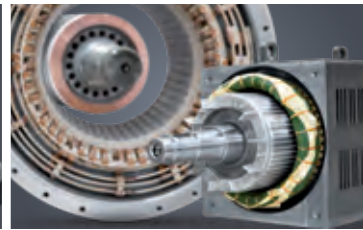
Hydraulic cylinders



Slewing bearings



Gearboxes and winches



Electric machines



Remanufacturing



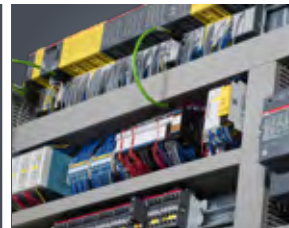
Human-machine interfaces and gateways



Control electronics and sensor technology



Power electronics



Control cabinets



Software

From A to Z – the components division of the Liebherr Group offers a broad range of solutions in the area of mechanical, hydraulic, electric and electronic drive system and control technology. The efficient components and systems are produced at a total of ten production sites around the world to the highest standards of quality. Central contact persons for all product lines are available to our customers at Liebherr-Components AG and the regional sales and distribution branches.

Liebherr is your partner for joint success: from the product idea to development, manufacture and commissioning right through to customer service solutions like remanufacturing.

components.liebherr.com

Liebherr-Components AG
Post box 222, CH-5415 Nussbaumen / AG
☎ +41 56 296 43 00
✉ components@liebherr.com

Liebherr USA, CO.
1465 Woodland Drive, Saline, MI 48176, USA
☎ +1 734 944 63 34
✉ components.usa@liebherr.com