

Mining Excavator

R 9250



Generation 6

Operating Weight
Backhoe Configuration
250 tonnes/276 tons

Face Shovel Configuration
253 tonnes/279 tons

Engine Power
960 kW/1,287 HP

Standard Bucket
Backhoe Configuration
15.7 m³/20.5 yd³
28.5 tonnes/31.5 tons

Face Shovel Configuration
15.0 m³/19.6 yd³
27.0 tonnes/30.0 tons

LIEBHERR



Productivity

Working Harder and Faster



Efficiency

Moving More for Less



Reliability

Ready to Work
When You Need It

Operating Weight

Backhoe Configuration

250 tonnes / 276 tons

Face Shovel Configuration

253 tonnes / 279 tons

Engine Power

960 kW / 1,287 HP

Standard Bucket

Backhoe Configuration

15.7 m³ / 20.5 yd³

28.5 tonnes / 31.5 tons

Face Shovel Configuration

15.0 m³ / 19.6 yd³

27.0 tonnes / 30.0 tons





Customer Service

World-Class Support,
Everywhere, Every Day



Safety

Protecting Your Most
Important Assets



Environment

Mining Responsibly





Productivity



Working Harder and Faster

The R 9250 is built to outperform all competitors in the medium class mining market. Boasting a 15.7 m³ / 20.5 yd³ bucket capacity in standard configuration, the R 9250 is the ideal machine to load a fleet of 100 t off highway trucks. Available in both diesel or electric versions, the R 9250 offers the flexibility to perform many specific applications.

Fast and Precise Movement

Powerful Drive System

The R 9250 is equipped with a Cummins diesel engine which has been specifically adapted to withstand the most extreme environments and to reach the highest uptime performance for maximum productivity. The electric drive system provides superior performance when the machine is used in the most specific conditions.

Optimized Cycle Times

Rather than using open hydraulic circuit, the R 9250 employs a closed-loop swing circuit to enable maximum swing torque while retaining the full oil flow for the working circuit. The independent swing circuit in combination with the powerful drive system leads to fast arm motion, which contributes to faster cycle times.

Precise Machine Motions

The R 9250 design integrates the Litronic Plus electronic control system to allow for easy control even when simultaneous movements are required. The patented Liebherr electronic damping system provides controlled end-cushioning for smooth attachment motions.

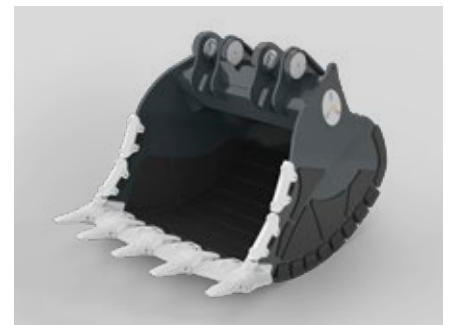
High Digging and Lifting Capabilities

High Digging Forces

Designed for the best mechanical force distribution, the production-tailored attachment delivers high digging and lifting forces. Integrating Liebherr-made cylinders and a wide range of buckets with mining optimized GET, the R 9250's attachment ensures the highest forces, easy bucket penetration and high fill factor to perform even in the most demanding conditions.

Power-Oriented Energy Management

The R 9250's attachment is equipped with the pressureless boom down function to enable fast cylinder retraction without the need for pump energy. Intelligent energy management diverts the pump flow during boom lowering, allowing other cylinder motions to operate unimpeded.



Litronic Plus Electronic Control

A power management system developed to optimize electrical, mechanical, hydraulic power distribution which encompasses:

- Liebherr designed and built power components
- Continuous monitoring of the engine and electrical system
- Safe, fast and precise control
- Optimum equipment operation
- Productivity and efficiency maximization

Engine / Motor Options

Diesel engine available version:

- Cummins QSK 38 (US EPA Tier 2 compliant)
- Cummins QSK 45 (US EPA Tier 1)
- Fuel consumption optimized version on QSK38 engine (optional)

Electric drive (optional):

- 3 phase AC squirrel cage motor
- Voltage on request
- 50 or 60 Hz frequency

Exclusive EVO Bucket Solution

- Liebherr patented EVO design to maximize the loading capacity
- Optimized Liebherr GET and wear package according to customer application
- Ensures optimal penetration efficiency
- Single GET hammerless locking system for safe and easy maintenance
- Fully patented GET system design for optimal penetration/lifetime
- 4 tooth profiles available for various range of applications



Efficiency



Moving More for Less

The R 9250 follows the Liebherr design philosophy of maximizing the machines performance by improving the efficiency of all individual subsystems. Engineered for optimum serviceability the machine is designed to ensure maximum uptime. The R 9250's spacious cab creates a comfortable working environment ensuring peak operator performance, every shift.

Built for Maximum Profitability

Electro-Hydraulic System Efficiency

Liebherr hydraulic technology in combination with the precision of electronic control contributes to the R 9250's energy optimization. The high-pressure hydraulic system and the optimized pipe and hose layout maximize usable power transmission. The hydraulic pumps are electronically managed to provide optimal pressure compensation and oil flow management. The hydraulic system is independently regulated over the engine circuit for the best operational efficiency.

Cooling System Efficiency

The oversized independent oil- and water coolers in combination with low energy consumption fans and ondemand cooling controls enable to maximize available power for digging process.

Optimized Service Intervals

The hydraulic oil filtration systems remove fluid contaminants to offer the highest rate of hydraulic components durability. To maintain oil quality and extend oil lifetime, all return hydraulic oil flow goes through a fine filtration system (15/5 µm). To promote availability, the grease and fuel tanks are sized to considerably extend the time between service intervals.



Comfortable Cab for Efficient Work

Superior Operator Comfort

The large and spacious cab which equips the R 9250 offers ideal working conditions and optimal operator's comfort. Mounted on silent blocks, the cab design reduces vibrations and limit noise pollution to provide a quiet environment.

Working Environment Total Control

The R 9250's cab offers a panoramic view over the entire machine and loading spot. Two outside cameras show areas that cannot be observed directly. Long-distance halogen working lights promote efficient loading.

Hydraulic System Efficiency

The R 9250's hydraulic system is designed for an optimized hydraulic power management via the:

- Closed-loop swing circuit
- Pressureless boom down function
- Electronic hydraulic pumps management
- Electro-hydraulic control system
- Optimized pipe and hose layout

Central Service Station

- Hydraulic oil refill
- Engine oil refill and drainage
- Splitter box and swing gearbox oil exchange
- Attachment/swing ring bearing grease barrel refilling with filters
- Windshield washer water refilling
- Fast fuel refilling line
- Non-pressurised refueling system in option

Comfort-Oriented Cab Design

An array of features:

- Tinted laminated safety glass
- Armored front and attachment side windows
- Heavy duty sun louvers on windows
- Adjustable air suspended seat
- A/C with dust filter in fresh air / recirculated
- Pressurization to prevent dust penetration
- Trainer seat



Reliability



Ready to Work When You Need It

With over 50 years of innovative thinking, engineering and manufacturing excellence, Liebherr sets the industry standard for advanced equipment design and technology tools to provide the most up-to-date product responding to the requirements of the mining customers.

Quality: the Liebherr Trademark

Liebherr Components Integration

As an OEM, Liebherr has built a solid reputation for its development and production of high quality strategic mining components. The R 9250 integrates robust and reliable mining optimized components that are developed, manufactured and controlled by Liebherr ensuring reliability and high performance for the entire machine.

Machine Reliability Survey

Based on years of experience and the systematic measurement of key performance indicators of the machine behavior in the field, the Liebherr Mining Reliability Engineering Group is constantly seeking new ways to enhance reliability.

Quality Management Continuous Improvement

Liebherr quality begins during machine design and simulations. Liebherr meets the highest standards for special selections of steels and casting materials. Based on the expertise of certified internal auditors and a highly qualified workforce, all manufacturing process steps are devised to provide the most comprehensive control, monitoring and traceability. Liebherr-Mining Equipment Colmar SAS is ISO 9001 certified.

Long-lasting Job Performances

Maximized Components Lifetime

The R 9250 is equipped with an automatic central lubrication system for the entire attachment and swing ring. All greasing points are suitably protected against external damages. This extends component life and ensures constant performance over the excavators' operational life.

Rugged Undercarriage Structure

The R 9250 is mounted on a heavy duty 3-piece fatigue resistant undercarriage steel structure. This design provides better weight distribution between undercarriage and upper-carriage reducing ground bearing pressure. Designed and built for both shovel and backhoe configurations, the R 9250 provides the necessary stability and reliability.



Liebherr Component Integration

- Electronic and control technology
- Swing and travel drives
- Hydraulic cylinders
- Splitter box
- Swing ring
- GET

Quality Commitment

- Liebherr-Mining Equipment Colmar, France, ISO 9001 certified
- Compliance of materials tested in laboratory
- Quality control during the stages of production
- Vertical integration practice

Arctic Package (optional)

- Designed for maximum reliability in regions with temperatures of down to $-50^{\circ}\text{C}/-58^{\circ}\text{F}$:
- Integrated into machine structure
 - For maximum efficiency
 - Increases machine and component lifetime
 - Optimum operator comfort even in harsh temperature conditions
 - Facilitate machine servicing



Customer Service



World-Class Support, Everywhere, Every Day

A daily partner to the customer, for global long term sustainable performances, Liebherr implements tailored solutions from technical support, spare parts and logistics solutions to global maintenance for all types of equipment, all over the world.

Customer Support

International Service Organization

The Liebherr Service Support has always been an important focus for the company. Complete service during all operating phases from machinery installation to problem solving, spare parts inventory and technical service. Our service team is close to our customers, delivering the best specific maintenance solution to reduce both equipment downtime and repair costs.

Complete Training Programs

The Liebherr Mining Training System provides blended training sessions for operator and maintenance staff to encourage productive, cost-effective and safe mining operation. The Liebherr Mining Training System employs online learning programs, factory and on-site sessions and simulator training.



Troubleshoot Advisor Platform

- Unique maintenance system to help you identify problems
- Easy and friendly-user interface
- Compatible with mobile, tablet or laptop
- Regular updating of the database
- Procedures described by specialist
- With images and videos

Remanufacturing

Reduced Costs and Investment

Over the course of a mining machine's lifetime, major components must be replaced to ensure continued safety, productivity and reliability. The Liebherr Mining Reman Program offers customers an OEM alternative to purchasing brandnew replacement components. Enabling customers to achieve lowest possible equipment lifecycle costs without compromising quality, performance or reliability.

Fast Availability

With an international service network and component facilities worldwide, component repair services and exchange components are available to customers regardless of the location of their Liebherr Mining equipment.



The Liebherr-Mining Remanufacturing Program

- Liebherr certified quality
- As-new warranty
- OEM expertise
- Reduced costs and investment
- Fast availability

Genuine Parts

Performance

Using genuine Liebherr components ensures the best interaction within your machine, encouraging optimal performance and most effective machine operation. For all major components, Liebherr relies on its Liebherr Maintenance Management System to follow and monitor service life while predicting maintenance activities.

Partnership

Liebherr regularly reviews requirements for parts and components for individual machines, based on operating hours, consumption and planned maintenance, resulting in minimized downtime for customers. With access to the global stock via all Liebherr Mining warehouses, you will improve productivity by having the part you need, when you need it.



MyLiebherr Customer Portal

- Easy access parts online
- Available any time anywhere
- User friendly interface
- Online ordering
- Save time and money



Safety



Protecting Your Most Important Assets

The Liebherr R 9250 provides uncompromising safety for operators and maintenance crews. Equipped with the service flap accessible from the ground level and integrating wide open accesses, the R 9250 allows quick and safe maintenance. The R 9250's cab provides numerous features for operator safety.

Safety-First Working Conditions

Safety-First Cab Design

The operator safety is one of the main concerns in designing and developing the new R 9250. The panoramic view, the low noise level, the strong structure and armored glass are elements that ensure complying with international safety standards. In addition Liebherr provides supplementary options allowing the cab to be adapted to your specific safety standards.

Secure Maintenance

All components have been located allowing effortless inspection and replacement. Numerous service lights are strategically located in the service areas to sustain suitable maintenance conditions, day or night. Emergency stops have been strategically placed in the cab, engine compartment and at ground level. The R 9250 eliminates hazards to ensure a safe environment for the service staff during maintenance.

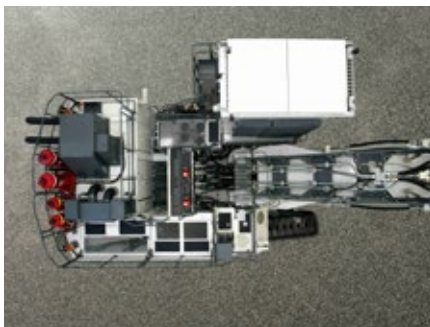
Efficient Machine Protection

Automatic Fire Suppression System

The R 9250 can be equipped with a fully integrated fire suppression option employing a dual agent solution to prevent and protect the machine against propagation of fire. The fire suppression system shall have both automatic and manual release capabilities. Manual release devices are strategically located on the machine to be easily accessible in any case by the customer's staff.

Protection Against Fire Ignition

The engine compartment integrates a bulkhead wall that separates the engine from the hydraulic pumps. This reduces the risk of hydraulic oil entering the engine compartment. The turbochargers and exhaust systems are heat shielded, and all the hydraulic hoses are made from a highly resistant material to prevent the risk of fires.



Improved Accessibility Ease of Maintenance

- All walkways with slip-resistant surfaces
- Emergency ladder available near the cab
- Wide open service access
- 8 service / access headlights

Working Environment Control

- Rear and side camera system
- LCD color screen to display cameras view
- 14 Long-range working LED lights

Commitment to Employees Safety

- Safe and protected access to the components
- Major components centralized to be easily accessible
- Maintenance fluids reach at ground level
- E-stops located for the operator and maintenance staff



Environment



Mining Responsibly

Liebherr considers the preservation of the environment as a major challenge for the present and future. Liebherr takes greater account of environmental issues in designing, manufacturing and managing machine's structures. This commitment provides solutions that allow customers to balance high performance with environmental consciousness.

Minimized Impact on Life

Optimized Energy Consumption, Fewer Emissions

The intelligent energy management system coordinates optimal interaction between the hydraulic system and engine output with the goal of a maximum performance with a minimum consumption. With the "Eco-Mode", the machine is set up to reduce engine load, improve significantly fuel consumption and optimize emissions while maintaining highest production levels.

Controlled Emission Rejection

The R 9250 is powered by a high horsepower diesel engine which complies with the US EPA Tier 2 compliant emission limits. This power drive makes the R 9250 cost effective without compromising productivity whilst reducing the machines impact on the environment.

Sustainable Design and Manufacturing Process

Certified Environment Management Systems

Subject to the stringent European program for the regulation of the use of chemical substances in the manufacturing process REACH*, Liebherr undertakes a global evaluation to minimize the impacts of hazardous material, pollution control, water conservation, energy and environmental campaigns.

Extended Components and Fluids Lifetime

Liebherr is constantly working on ways to extend component life. Through the Exchange Components program, superior lubrication systems and the reinforcement of parts under stress, Liebherr can reduce frequency of part replacement. The result minimizes environmental impact and lowers the overall cost of ownership.

*REACH is the European Community Regulation on chemicals and their safe use (EC 1907 / 2006) It deals with the Registration, Evaluation, Authorization and Restriction of Chemical Substances.



The Liebherr-Mining Remanufacturing Program

- Second life for your components
- Liebherr certified workshops
- Reduced environmental impact
- Reduced costs and investment
- Alternative to purchase brand-new replacement components

Electric Drive Version

- Lower maintenance costs
- No service for engine oil
- No replacement for oil and fuel filter
- Less noise pollution
- High motor efficiency
- Less vibration resulting in higher component lifetime
- Maximum efficiency in cold climate conditions when combined with the Arctic Package

Sound Attenuation Package (optional)

Developed with the latest noise measurement technologies, this approach is based on both removal of noise at the source and passive sound attenuation:

- Noise-optimized fan regulation
- Valve bank covering
- Sound attenuation on louvers, doors and walls

Technical Data



Engine

1 Cummins diesel engine	
Rating per SAE J1995	960 kW (1,287 HP) at 1,800 rpm
Model	Cummins QSK45 (US EPA Tier 1)
Type	12 cylinder turbocharged V-engine after-cooler two separate water cooling circuits direct injection system
Bore/Stroke	159/190 mm / 6.26/7.48 in
Displacement	45 l/2,745 in ³
or	
1 Cummins diesel engine	
Rating per SAE J1995	940 kW (1,261 HP) at 1,800 rpm
Model	Cummins QSK38 (US EPA Tier 2 compliant or fuel consumption optimized setting)
Type	12 cylinder turbocharged V-engine after-cooler two separate water cooling circuits direct injection system
Bore/Stroke	159/159 mm / 6.26/6.26 in
Displacement	37.8 l/2,307 in ³
Engine cooling system	fans driven via hydraulic piston motor
Air cleaner	dry-type air cleaner with pre-cleaner, with auto- matic dust ejector, primary and safety elements
Fuel tank	5,440 l/1,434 gal
Electrical system	
Voltage	24 V
Batteries	4 x 170 Ah/12 V service systems
Alternator	24 V/260 Amp
Engine idling	automatic engine idling



Electric Motor (optional)

1 electric motor	
Power output	1,050 kW (1,408 HP)
Type	3-phase AC squirrel cage motor
Voltage	6,000 V, other voltage on request
Frequency	50 Hz (or 60 Hz)
Revolutions	1,500 rpm or 1,800 rpm
Motor cooling	integrated air-to-air heat exchanger
Starting method	inrush current limited to 2.2 full load current



Electro-Hydraulic Controls

Servo circuit	independent, electric over hydraulic propor- tional controls of each function
Emergency control	via accumulator for all attachment functions with stopped engine
Power distribution	via monoblock control valves with integrated primary relief valves and flanged on secondary valves
Flow summation	to attachment and travel drive
Control functions	
Attachment and swing	proportional via joystick levers
Travel	proportional via foot pedals or hand levers
Bottom dump bucket	proportional via foot pedals



Swing Drive

Hydraulic motor	2 Liebherr axial piston motors
Swing gear	2 Liebherr planetary reduction gears
Swing ring	Liebherr, sealed triple roller swing ring, internal teeth
Swing speed	0 – 4.4 rpm
Swing-holding brake	hydraulically actuated, maintenance-free, multi- disc brakes integrated in each swing gear



Hydraulic System

Hydraulic pump	
for attachment and travel drive	3 variable flow axial piston pumps
Max. flow	2 x 771 l/min. + 1 x 579 l/min./ 2 x 204 gpm + 1 x 153 gpm
Max. pressure for swing drive	320 bar/4,640 psi
Max. flow	2 x 352 l/min. / 2 x 93 gpm
Max. pressure	320 bar/4,640 psi
Pump management	electronically controlled pressure and flow management with oil flow optimisation
Hydraulic tank capacity	2,826 l/747 gal
Hydraulic system capacity	4,050 l/1,070 gal
Hydraulic oil filter	1 high pressure safety filter after each high pressure pump + fine filtration of entire return flow (15/5 µm)
Hydraulic oil cooler	cooler with temperature controlled fans driven via hydraulic piston motor



Electric System

Electric isolation	easy accessible battery isolations
Working lights	high brightness LED lights: – 4 on working attachment – 2 on cabin – 4 on RHS of uppercarriage – 4 on LHS of uppercarriage
Emergency stop switches	at ground level, in hydraulic compartment, in engine compartment, on control valve and in operator cab
Electrical wiring	heavy duty execution in IP 65 standard for operating conditions of –50 °C to 100 °C/ –58 °F to 212 °F



Uppercarriage

Design	torque resistant designed upper frame in box- type construction for superior strength and durability
Attachment mounting	parallel longitudinal main girders in box section construction
Machine access	45° access system with handrails on the cab side of the uppercarriage, full controlled descent in case of emergency stop additional emergency ladder fitted near the cab



Operator's Cab

Design	resiliently mounted, sound insulated, large windows for all around visibility, integrated falling object protection FOPS (ISO 10262)
Operator's seat	suspended, body-contoured with shock absorber, adjustable to operator's weight
Cabin windows	20.5 mm/0.8 in tinted armored glass for front window and 18 mm/0.7 in for right-hand side windows, all other windows in tinted safety glass, high pressure windshield-washer system 75 l/20 gal watertank, sun louvers on all windows in heavy duty design
Heating system/ Air conditioning	heavy duty, fully automatic, high output air conditioner and heater unit, contains fluorinated greenhouse gases HFC 134a with a Global Warming Potential (GWP) of 1430, the AC circuit contains 7.5 kg/ 16.5 lb of HFC-134 representing an equivalent of 10.7 tonnes/ 11.6 tons of CO ₂ , the 2 nd AC circuit (optional) contains 5 kg/ 11 lb of HFC-134 representing an equivalent of 7.2 tonnes/7.9 tons of CO ₂
Cabin pressurization	ventilation with filter, minimum pressurization of 50 Pa (ISO 10263-3)
Controls	joystick levers integrated into armrest of seat
Monitoring	via LCD-display, data memory
Rear vision system	camera installation on counterweight and right-hand side of the uppercarriage displayed over an additional LCD-display
Automatic engine shut off	engine self-controlled shut off
Destroking of main pumps	in case of low hydraulic oil level
Safety functions	additional gauges with constant display for: engine speed, hourmeter, voltmeter, safety mode for engine speed control and pump regulation
Noise level (ISO 6396)	Diesel: L _{pA} (inside cab) = Tier 1: 77 dB(A) Electric: L _{pA} (inside cab) = 70 dB(A)



Undercarriage

Design	3-piece undercarriage, box-type structures for center piece and side frames, stress relieved
Hydraulic motor	2 axial piston motors per side frame
Travel gear	Liebherr planetary reduction gear
Travel speed	0 – 2.1 – 2.7 km/h / 0 – 1.30 – 1.68 mph
Parking brake	spring engaged, hydraulically pressure released wet multi-disc brakes for each travel motor, maintenance-free
Track components	D 12, maintenance-free, forged double grouser pad
Track rollers/ Carrier rollers	9/2 per side frame
Automatic track tensioner	hydraulic and grease tensioner
Transport	undercarriage side frames are removable



Service Flap

Design	hydraulically actuated service flap, easily accessible from ground level to allow: <ul style="list-style-type: none"> – fuel fast refill – engine oil quick change – swing ring teeth grease barrel refilling via grease filter – attachment / swing ring bearing grease barrel refilling via grease filter – hydraulic oil refill – hydraulic oil draining – splitterbox oil refill – windshield wash water refilling other coupler type on request
---------------	--



Central Lubrication System

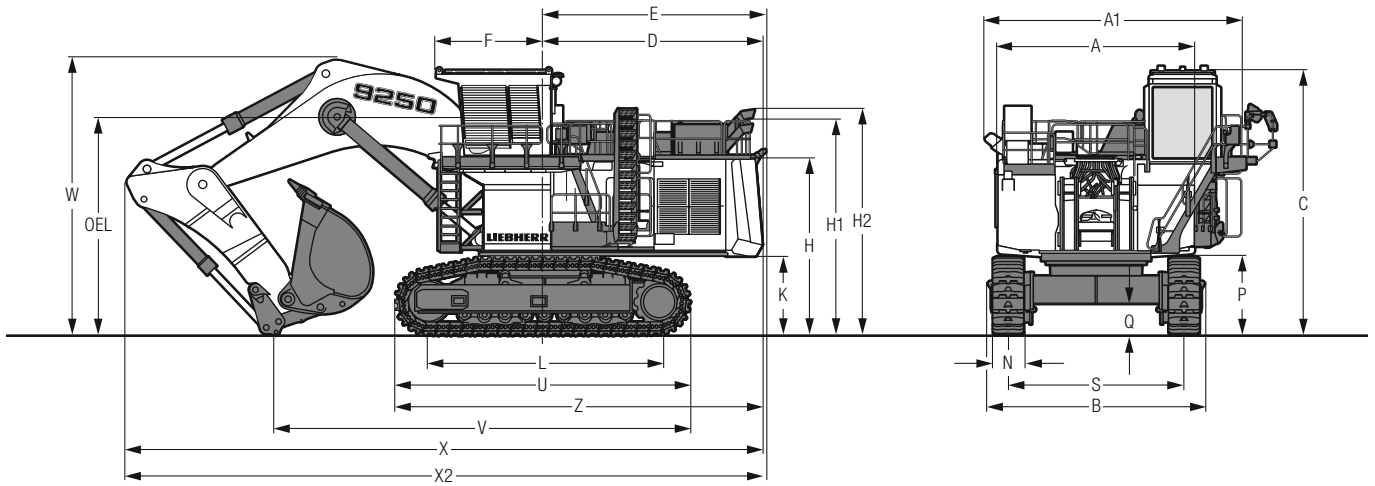
Type	automatic single-line lubrication system, for the entire attachment/swing ring bearing and teeth
Grease pumps	Lincoln Powermaster pump plus separate P203 pump for swing ring teeth
Capacity	200 l/53 gal bulk container for attachment/swing ring bearing, separated 15 l/4.0 gal bulk container for swing ring teeth
Refill	via the service flap for both containers, fill line with grease filters
Monitoring	via a specific Liebherr control module with data memory



Attachment

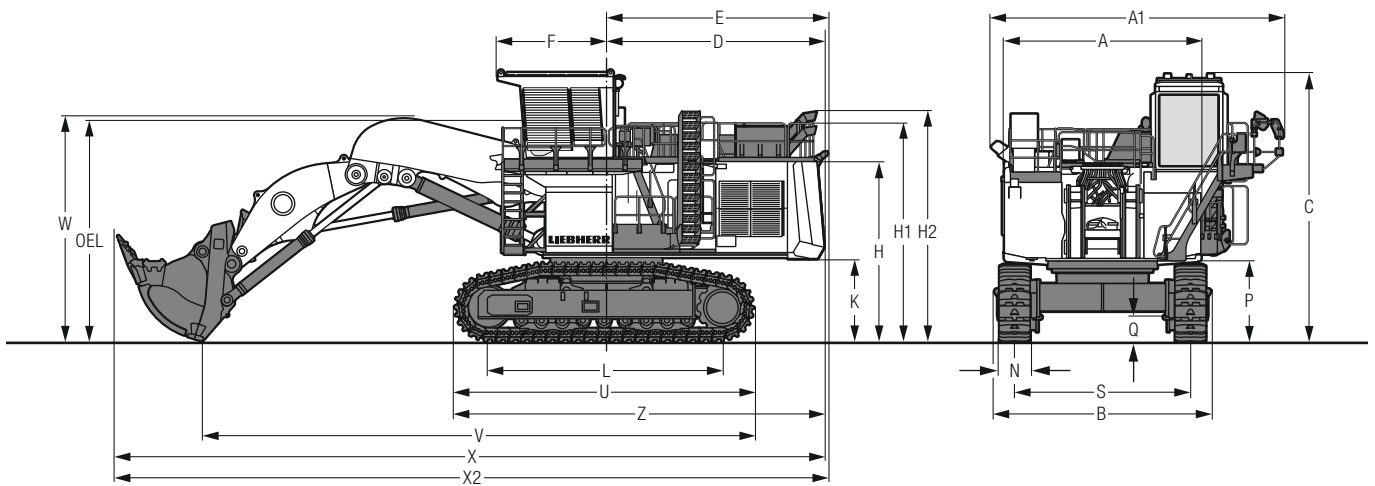
Design	box-type structure with large steel castings in all high-stress areas
Stick	wear protection underneath lower beam plate
Pivots	sealed and floating pins
Hydraulic cylinder	Liebherr design, sealed bearings, electronically controlled end-cushioning
Hydraulic connections	pipes and hoses equipped with SAE split-flange connections
Pivots bucket-to-stick	O-ring sealed and completely enclosed
Pivots bucket-to-link	
Kinematics	Liebherr parallel face shovel attachment geometry, electronic controlled end-cushioning

Dimensions



	mm/ft in
A	5,500/18'
A1	8,145/26' 9"
B	6,183/20' 3"
C	7,600/24'11"
D	6,100/20'
E	6,200/20' 4"
F	3,000/ 9'10"
H	4,930/16' 2"
H1	6,000/19' 8"
H2	6,300/20' 8"
K	2,200/ 7' 3"
L	6,396/21'

	mm/ft in
N	850/ 2' 9"
P	2,185/ 7' 2"
Q	875/ 2'10"
S	4,900/16'
U	8,255/27'
V	13,610/44' 8"
W	7,800/25' 7"
X	17,800/58' 4"
X2	17,900/58' 9"
Z	10,250/33' 8"
OEL	Operator's eye level
	6,350/20' 9"

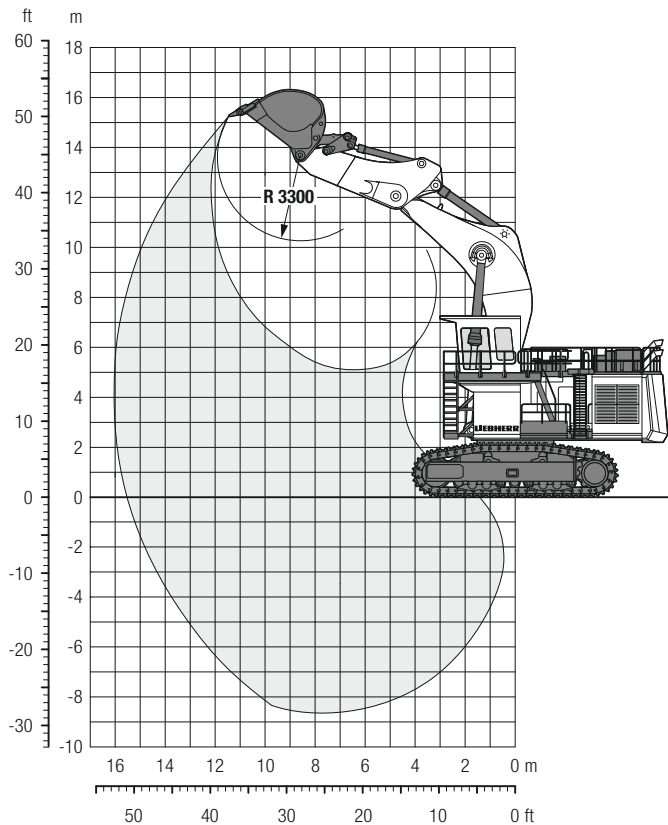


	mm/ft in
A	5,500/18'
A1	8,145/26' 9"
B	6,183/20' 3"
C	7,600/24'11"
D	6,100/20'
E	6,200/20' 4"
F	3,000/ 9'10"
H	4,930/16' 2"
H1	6,000/19' 8"
H2	6,300/20' 8"
K	2,200/ 7' 3"
L	6,396/21'

	mm/ft in
N	850/ 2' 9"
P	2,185/ 7' 2"
Q	875/ 2'10"
S	4,900/16'
U	8,255/27'
V	15,190/49'10"
W	6,200/20' 4"
X	19,600/64' 3"
X2	19,700/64' 8"
Z	10,250/33' 8"
OEL	Operator's eye level
	6,350/20' 9"

Backhoe Attachment

with Mono Boom 9.00 m/29'6"



Digging Envelope

Stick length	m	4.00
	ft in	13'1"
Max. digging depth	m	8.70
	ft in	28'6"
Max. reach at ground level	m	15.50
	ft in	50'10"
Max. dumping height	m	10.30
	ft in	33'9"
Max. teeth height	m	15.20
	ft in	49'10"

Forces

Max. digging force (ISO 6015)	kN	800
	lbf	179,847
Max. breakout force (ISO 6015)	kN	870
	lbf	195,584

Operating Weight and Ground Pressure

The operating weight includes the basic machine with backhoe attachment and backhoe bucket 15.70 m³/20.54 yd³.

Pad width	mm / ft in	850 / 2'9"
Weight	kg / lb	250,000 / 551,200
Ground pressure*	kg/cm ² / psi	2.09 / 29.63

* according to ISO 16754

Backhoe Buckets

For materials class according to VOB, Section C, DIN 18300	< 5	< 5	5 – 6	5 – 6	5 – 6	7 – 8	7 – 8
Typical operation according to VOB Section C, DIN 18300	GP	GP	HD	HD	HD	XHD	XHD
Capacity ISO 7451	m ³ 18.00	17.00	16.40	15.70	14.20	14.90	13.00
	yd ³ 23.5	22.2	21.5	20.5	18.6	19.5	17.0
Suitable for material up to a specific weight of	t/m ³ 1.6	1.7	1.7	1.8	2.0	1.8	2.1
	lb/yd ³ 2,698	2,867	2,867	3,035	3,373	3,035	3,541
Cutting width	mm 3,550	3,500	3,300	3,120	3,100	3,100	2,800
	ft in 11'7"	11'5"	10'9"	10'2"	10'2"	10'2"	9'2"
Weight	kg 14,100	14,000	15,100	14,800	14,500	16,200	15,800
	lb 31,085	30,865	33,290	32,628	31,967	37,715	34,833

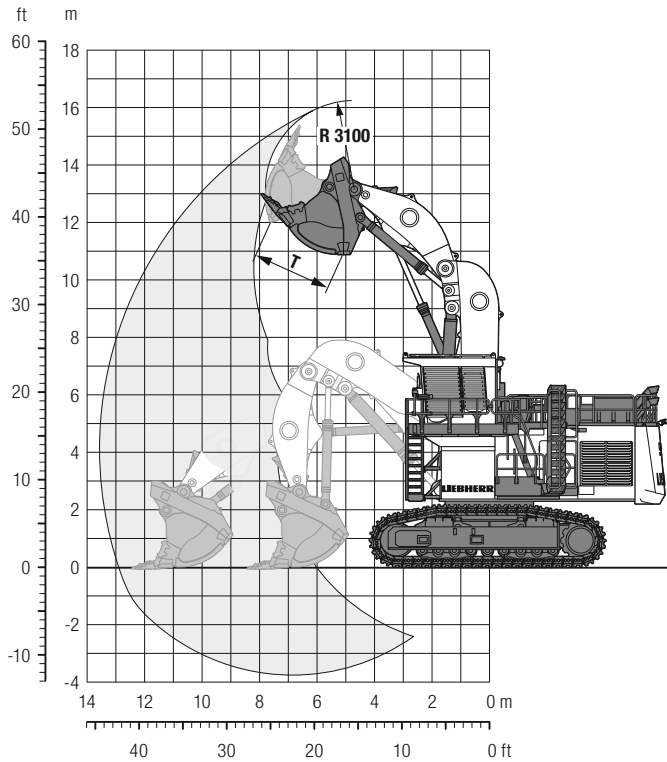
GP: General purpose bucket with Liebherr Z120 teeth

HD: Heavy-duty bucket with Liebherr Z120 teeth

XHD: Heavy-duty rock bucket with Liebherr Z140 teeth

Face Shovel Attachment

with Shovel Boom 6.37 m/20'9"



Digging Envelope

Stick length	m	4.20
	ft in	13'9"
Max. reach at ground level	m	13.00
	ft in	42'7"
Max. dumping height	m	11.00
	ft in	36'
Max. crowd length	m	4.00
	ft in	13'1"
Bucket opening width T	m	2.70
	ft in	8'10"

Forces

Max. crowd force at ground level (ISO 6015)	kN	1,050
	lbf	236,049
Max. crowd force (ISO 6015)	kN	1,220
	lbf	274,266
Max. breakout force (ISO 6015)	kN	940
	lbf	211,320

Operating Weight and Ground Pressure

The operating weight includes the basic machine with shovel attachment and face shovel 15.00 m³/19.6 yd³.

Pad width	mm / ft in	850 / 2'9"
Weight	kg / lb	253,500 / 558,900
Ground pressure*	kg/cm ² / psi	2.12 / 30.05

* according to ISO 16754

Face Shovel Buckets

For materials class according to VOB, Section C, DIN 18300	< 5	5 – 6	5 – 6	7 – 8	7 – 8
Typical operation according to VOB Section C, DIN 18300	GP	HD	HD	XHD	XHD
Capacity ISO 7546	m ³ 17.00	13.00	15.00	11.00	13.00
	yd ³ 22.2	17.0	19.6	14.4	17.0
Suitable for material up to a specific weight of	t/m ³ 1.6	2.1	1.8	2.3	1.8
	lb/yd ³ 2,698	3,541	3,035	3,879	3,035
Cutting width	mm 3,700	3,700	3,700	3,700	3,700
	ft in 12'1"	12'1"	12'1"	12'1"	12'1"
Weight	kg 27,000	27,000	27,000	28,000	29,000
	lb 59,525	59,525	59,525	61,729	63,934
Wear kit level	I	II	II	III	III

GP: General purpose bucket with Liebherr Z120 teeth

HD: Heavy-duty bucket with Liebherr Z140 teeth

XHD: Heavy-duty rock bucket with Liebherr Z140 teeth

Level I: For non-abrasive materials, such as limestone, without flint inclusion, shot material or easily breakable rock, i.e. deteriorated rock, soft limestone, shale, etc.

Level II: For pre-blasted heavy rock, or deteriorated, cracked material (classification 5 to 6, according to DIN 18300)

Level III: For highly-abrasive materials such as rock with a high silica content, sandstone etc.

Optional Equipment

Undercarriage

- Full length chain guide
- HD travel gear seal for muddy applications
- Undercarriage bottom cover
- Rock protection for idler wheel
- Travel motor guard with access hatch

Uppercarriage

- Banlaw fast fueling system
- Fast fueling system with Multiflo Hydrau-Flo®
- Wiggins counter plugs for fuel/lube trucks
- Swing ring scrapers
- Greasing system with two grease pumps
- Slewing ring with 90° installation arrangement

Hydraulic System

- Oil cooler inlet screens
- Suction valve position monitoring

Engine

- Fuel consumption optimized engine version (non-certified)
- Fuel/water separator
- Automatic engine shutdown timer (5 min.)
- Cummins Cense™ kit
- Cummins Eliminator™ kit

Operator's Cab

- 4-point seat belt
- Additional back and side wipers
- Double A/C system
- Front protective grid
- Auxiliary cab heating system
- Sliding window

Attachment

- Piston rod guard for bucket cylinder (BH)
- Piston rod guard for stick cylinder (BH)
- Piston rod guard for hoist cylinder (BH)

Specific Solutions

- Arctic package (−30 °C/−22 °F, −40 °C/−40 °F, −50 °C/−58 °F)
- Sound attenuation package (until +40 °C/+104 °F)
- High altitude package
- Hydraulic arrangement for special application (hammer/shear)

Safety

- Automatic fire suppression system

General

- Maritime transport packaging

The Liebherr Group of Companies



Wide Product Range

The Liebherr Group is one of the largest construction equipment manufacturers in the world. Liebherr's high-value products and services enjoy a high reputation in many other fields. The wide range includes domestic appliances, aerospace and transportation systems, machine tools and maritime cranes.

Exceptional Customer Benefit

Every product line provides a complete range of models in many different versions. With both their technical excellence and acknowledged quality, Liebherr products offer a maximum of customer benefits in practical applications.

State-of-the-art Technology

To provide consistent, top quality products, Liebherr attaches great importance to each product area, its components and core technologies. Important modules and components are developed and manufactured in-house, for instance the entire drive and control technology for construction equipment.

Worldwide and Independent

Hans Liebherr founded the Liebherr family company in 1949. Since then, the family business has steadily grown to a group of more than 130 companies with nearly 44,000 employees located on all continents. The corporate headquarters of the Group is Liebherr-International AG in Bulle, Switzerland. The Liebherr family is the sole owner of the company.

www.liebherr.com

Proposition 65



WARNING: This product can expose you to chemicals, including exhaust emissions, including lead and lead compounds, which are known to the State of California to cause cancer, birth defects or other reproductive harm.
For more information see: www.P65warnings.ca.gov/diesel