

EN-US



LR 1200.1 unplugged

LR 1104.03.08
www.liebherr.com

LIEBHERR

Crawler cranes

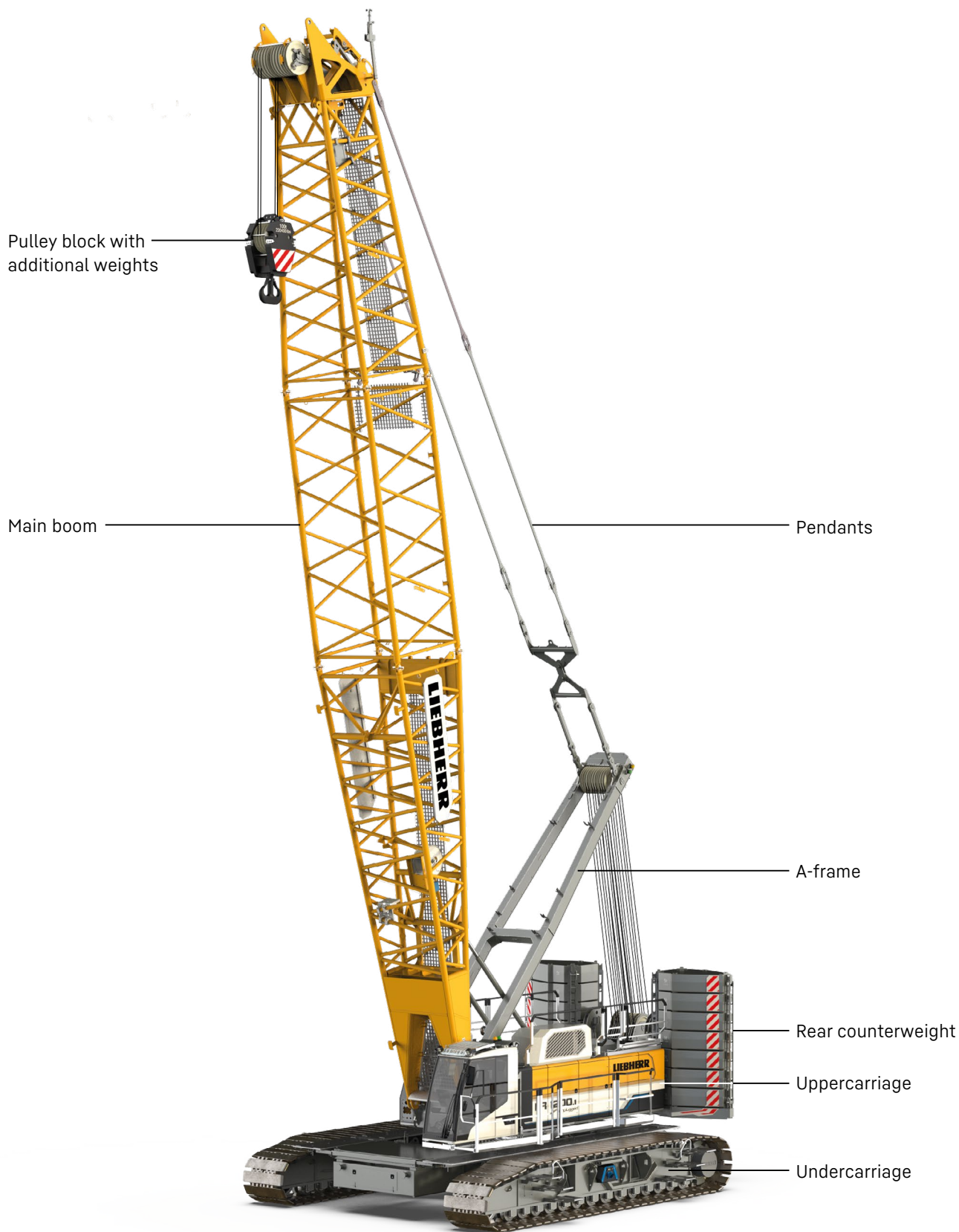


Concept and characteristics	3
Technical description	8
Dimensions	10
Transport dimensions and weights	11
Self-assembly system	16
Boom combinations	18
Main boom 2320.xx	20
Luffing jib 1713.xx	22
Luffing jib 1916.xx	28
Fixed jib 1008.xx	34
Fixed jib 0806.xx	38
Fixed jib 0906.21	42

Remarks

- The load capacities stated are valid for lifting operation only (corresponding with crane classification according to ISO 4301-1, crane group A1).
- Machine is standing on firm, horizontal ground.
- The weight of the lifting device (pulley block, hoist ropes, shackles, etc.) must be deducted from the load capacity.
- Additional equipment on boom (e.g. walkways) must be deducted from the load capacity.
- The max. admissible wind speed can be preselected in the LML software and referred to in the load chart.
- Working radii are measured from centre of swing ring and under load.
- The lifting capacities are valid for 360 degrees of swing.
- Calculation of stability under load is based on ANSI/ASME B 30.5 load ratings as well as ISO 4305 Table 2 and tested according to SAE J765 and SAE J987.
- Weights may vary depending on the delivered configuration of the machine, filling level of the tanks, as well as generally valid tolerances.
- The illustrations in this brochure may include options which are not within the standard scope of supply of the machine.
- Subject to technical change without notice.

Concept and characteristics



Cabin with high comfort
- optimized view
- noise-reducing design
- orthopaedic seat

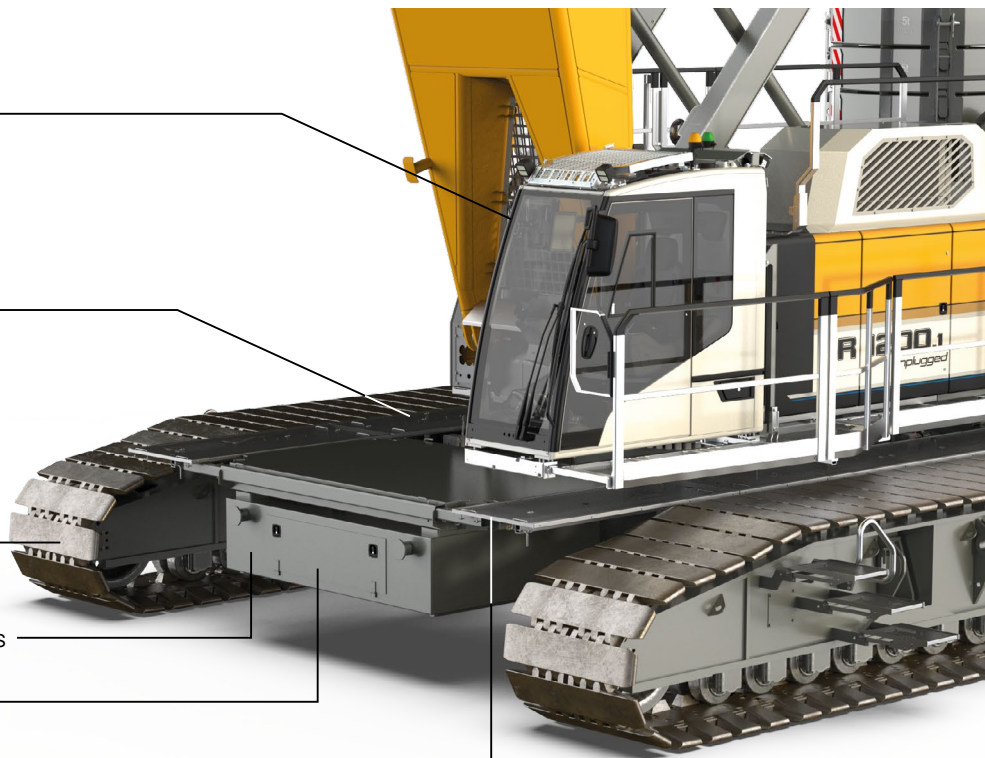
Additional
safety platform

Crawler side frames with
3'11" flat track pads

Carbody counterweight 21,600 lbs

Storage compartment for tools

Platforms



High performance

A powerful, efficient and reliable electro-hydraulic drive system combined with a high-performance lithium-ion battery ensures high productivity and allows for several movements to be carried out simultaneously.

Ground pressure

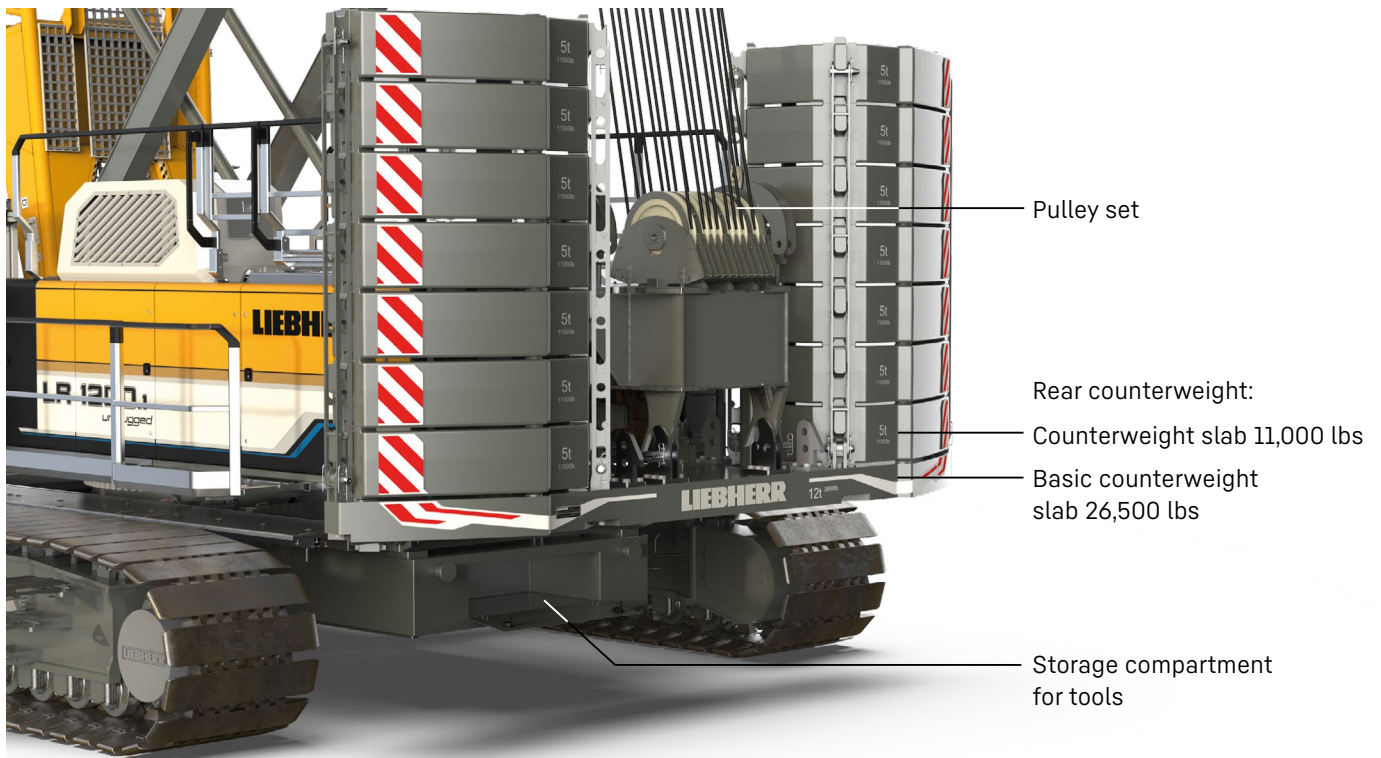
The actual ground pressure is calculated according to the configuration and position of the machine and displayed in the operator's cabin. Using the optional Liebherr Crane Planner the actual ground pressure can already be calculated and displayed in the planning stage.

Cabin with high comfort

Optimised field of vision combined with enhanced comfort: an orthopaedic operator's seat with heating and cooling functions, as well as precise and ergonomic controls are included.

Control

Easy and intuitive handling of control, service and machine functions through a large, clear colour monitor. Built for extreme environmental conditions.



Efficient self-assembly system and short assembly times

The self-assembly system enables safe, independent and quick assembly/disassembly of the crawler side frames, the carbody and rear counterweights, as well as boom elements.

Mobility

Crane parts are optimized for transportation. The maximum transport width is 9.84 ft.

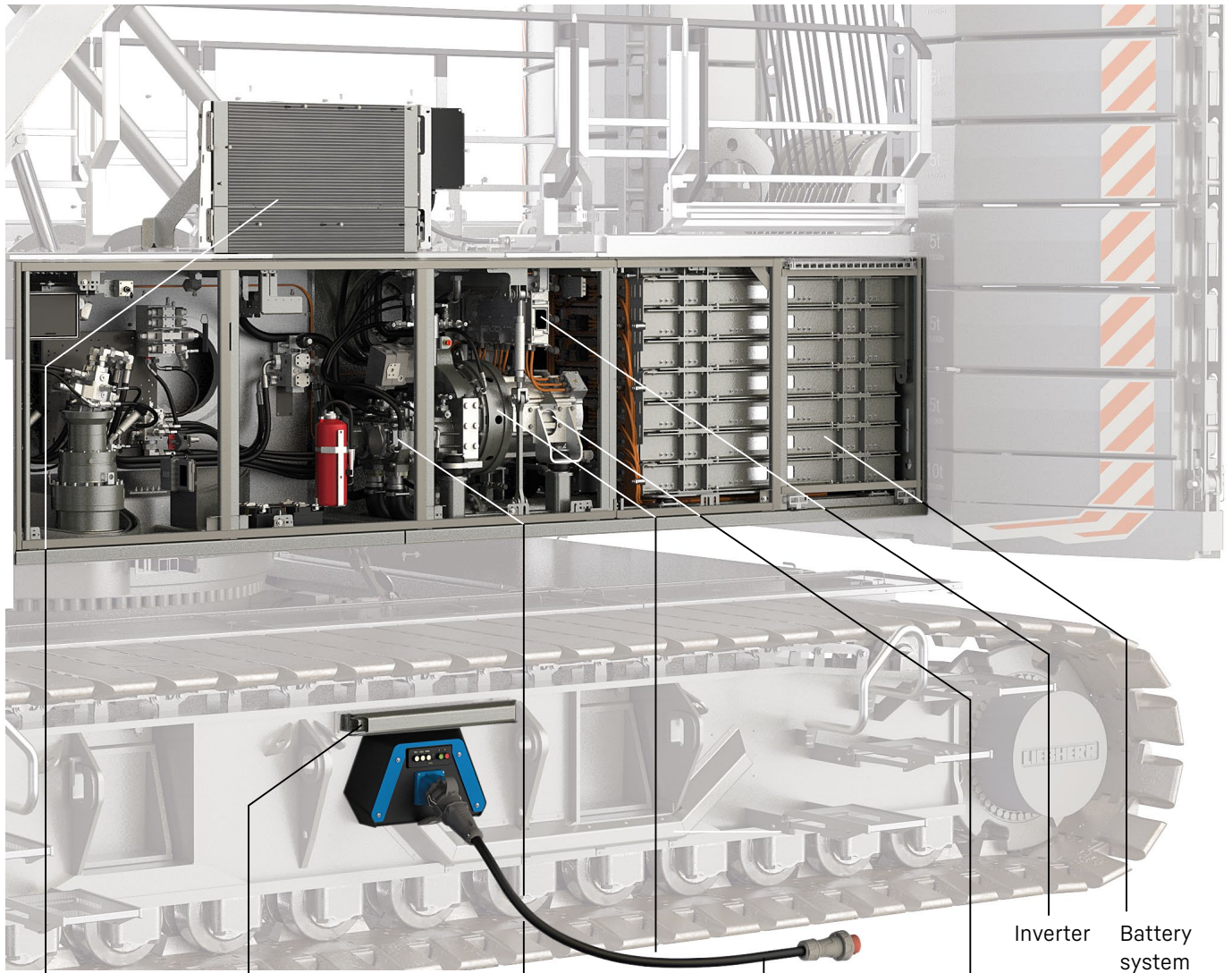
Easy service and low maintenance

The design ensures easy maintenance and service as well as safe access to the components.

Boom

A variety of boom systems and configurations allow for optimum operation on the most diverse jobsites.

Exemplifying illustration



Combination cooler with expansion tank

Cantilever for electric cable

Hydraulic pumps

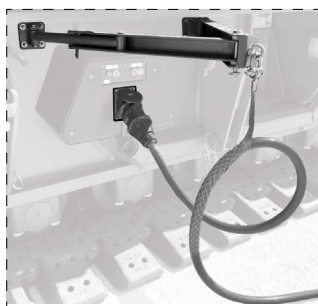
Distribution gearbox

Charging cable (not included in scope of supply)

Electric engine

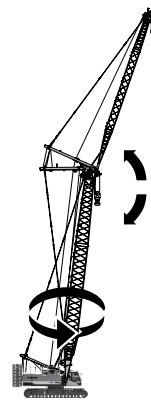
Inverter

Battery system

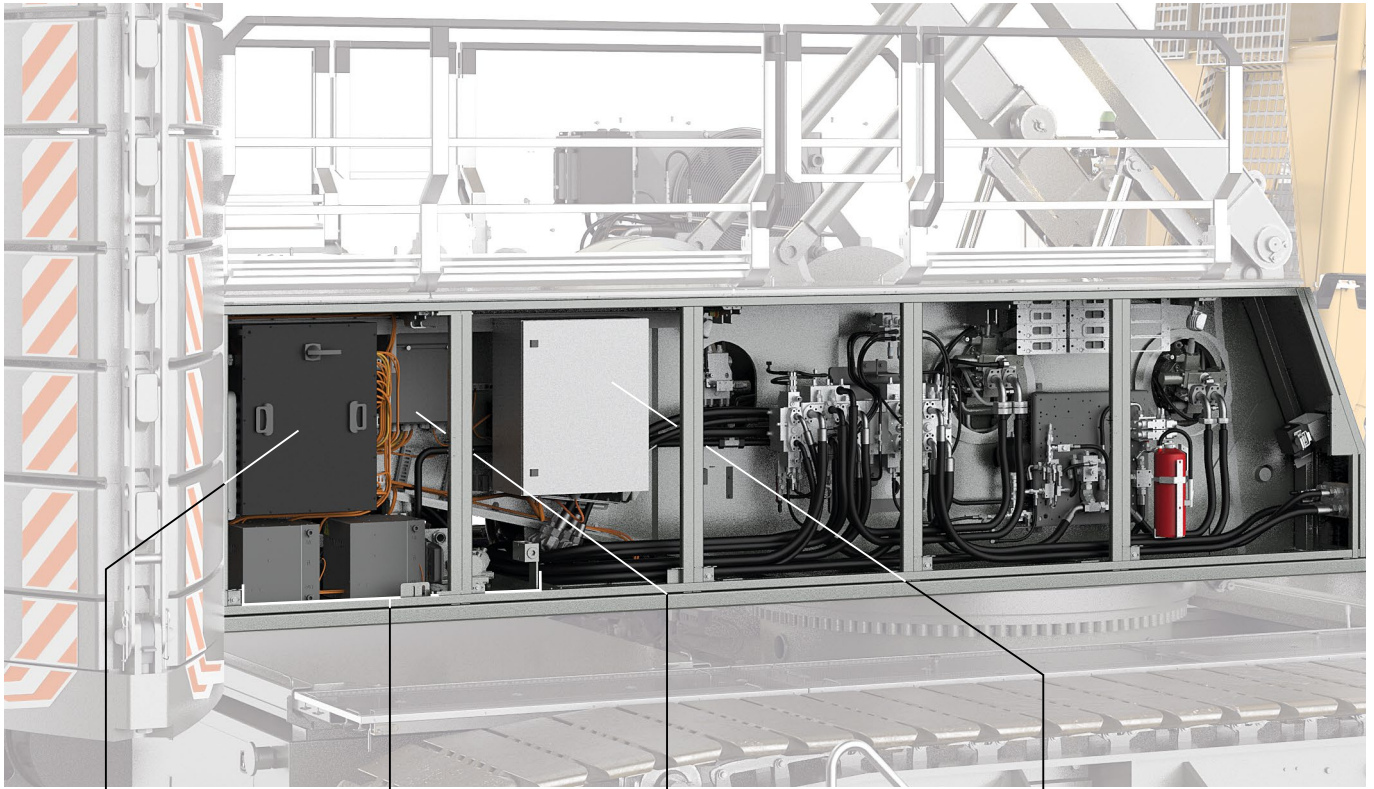


Performance “plugged in”

The crane’s performance in “plugged” operation is in no way inferior to its diesel-driven performance. The machine can be used without limitations as the battery charges continuously when connected and so delivers sufficient energy at all times.



Exemplifying illustration



Switch cabinet 700 VDC
(Direct Current)

Thermal management
system

Switch cabinet 400 VAC
(Alternating Current)

Switch cabinet 24 V LVDU
(Low Voltage Distribution Unit)

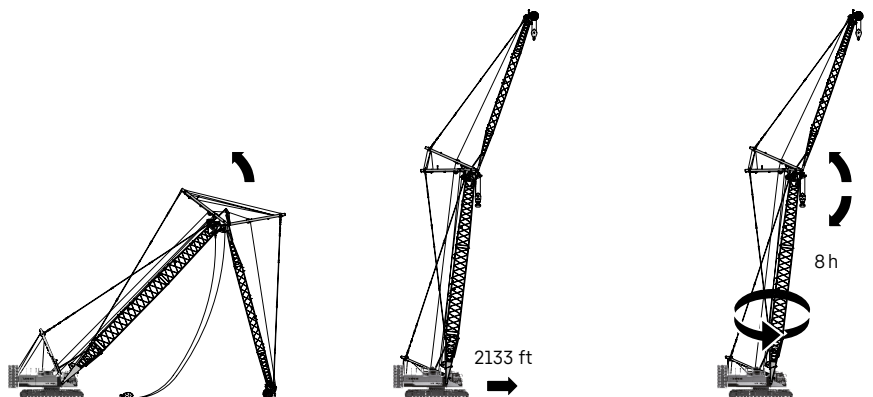
Performance “unplugged”

The crane's performance⁽¹⁾ in “unplugged” operation allows for erecting the boom and jib, for travelling a distance of approx. 2133 ft⁽²⁾ with full counterweight or for approx. 8 hours⁽³⁾ of crane operation.

¹ Battery service life can be optimized by operating the crane in “plugged-in” operation as often as possible.

² Fully ballasted on even terrain at 10-25 °C ambient temperature

³ With an observation period of 10,000 shifts, in 50 % of all shifts the crane can operate in “unplugged” mode for approx. 8 hours at an ambient temperature of 10-25 °C.



Technical description



Drive system

Max. drive power	255 kW (45 °C temperature of cooling water)
Battery type	High Performance Battery System
Technology	Li-Ion NMC (nickel manganese cobalt)
Max. charging power	20 kW @ 30 A 40 kW @ 60 A
Option	80 kW @ 100 A
Mains voltage	400-480 VAC (3 phase + N + PE / 3 phase + PE)



Noise measurement data and vibration

Noise emission	according to 2000/14/EC directive	
Emission sound pressure level L _{PA}	72 dB(A)	(in the cabin)
Guaranteed sound power level L _{WA}	105 dB(A)	(of the machine)
Vibration transmitted to the machine operator	< 8.20 ft/s ²	(to the hand-arm system)
	< 1.64 ft/s ²	(to the whole body)



Hydraulic system

Hydraulic pumps	double axial displacement pump in open loop hydraulic system allows all functions to be operated simultaneously automatic working pressure cut-off to minimize peak pressure
Hydraulic oil tank capacity	172 gal
Max. working pressure	5,076 PSI
Hydraulic oil	electronic monitoring of alle filters use of synthetic environmentally friendly oil



Control

Control system	includes all control and monitoring functions, designed to withstand extreme environmental conditions and heavy construction tasks
Display	high resolution monitor in the operator's cabin, clear display of complete machine operating data, warnings and failure indications in the required language
Operation	several movements can be performed simultaneously thanks to electro-hydraulic proportional control, all categories of loads can be positioned with utmost precision



Crawlers

Drive system	with fixed axial piston hydraulic motors
Crawler side frames	maintenance-free, with hydraulic chain tensioning device
Brake	hydraulically released, spring-loaded multi-disc holding brake
Drive speed	0-0.994 mph
Flat track pads	width 3.9 ft



Swing gear

Drive system	with fixed axial piston hydraulic motors, planetary gearbox, pinion
Swing ring	roller bearing with external teeth
Brake	hydraulically released, spring-loaded multi-disc holding brake
Swing speed	0-1.8 rpm continuously variable
Speed control	both swing modes are possible - speed control or free swing for speed control: a multi-disc holding brake locks automatically at zero swing motion



Hoisting gear

Standard crane winches 1+2	internal low-maintenance planetary gearbox in oil bath, load support by the hydraulic system, spring-loaded, multi-disc holding brake, pressure controlled, variable flow hydraulic motors for the main winches, full utilisation of engine power as the winch speed is automatically adjusted to suit the respective line pull
Line pull in the 7 th layer	26,977 lbf
Rope diameter	26 mm
Drum diameter	1.9 ft
Rope speed	0-446 ft/min
Rope capacity in 7 layers	1604 ft
Option - winch with free fall	Free fall: clutch and braking functions are provided by the service brake (low wear and maintenance-free multi-disc brake in compact design)



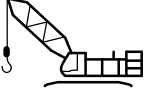




Boom/jib luffing winches

Main boom	
Line pull	max. 40,466 lbf
Rope diameter	24 mm
Boom luffing	15-86° in 169 s
Jib	
Line pull	max. 23,605 lbf
Rope diameter	20 mm
Jib luffing	15-78° in 51 s

Operating weight

Composition of operating weight	basic machine with crawlers winches 1+2 (incl. ropes), A-frame 66 ft main boom, consisting of boom foot (33 ft), boom head (23 ft) and boom section (10 ft) 181,440 lbs rear counterweight (14 × 11,000 lbs + 1 × 26,500 lbs + 660 lbs) 79,800 lbs carbody counterweight (2 × 21,600 lbs + 2 × 18,300 lbs) 551,200 lbs pulley block
Total weight	approx. 467,380 lbs

Operation modes

	 Lifting mode	 Grab mode	 Personnel lifting mode
 Land	✓	✓	✓
 Floating structure (barge operation)	✓	✓	✓*

* only valid for jack-up barges

Optional equipment

Basic machine

Main winches with free fall
 Painting in customer design
 Load hook 27,560 / 88,100 / 176,300 / 220,400 / 352,700 / 551,200 lbs
 Charging power 80 kW (125 A / 400 VAC)

Boom/jib

Luffing jib: luffing winch
 Carbon fibre pendants

Boom/jib other

Walkway for main boom foot, incl. fall protection
 Walkway for main boom head, incl. fall protection
 Rope guide for main boom walkway, incl. fall protection
 Additional fall protection harness for 1 person
 Walkways for main boom sections 10 / 20 / 40 ft
 Walkways for main boom sections 10 / 20 / 40 ft, incl. fall protection

Application packages

Operation mode: personnel lifting (O)
 Operation mode: barge operation (O)
 Operation mode: foundation work (O)
 Operation mode: wind speed pre-selection (S)
 Operation mode: travelling with load (S)

Winch synchronization

Radio remote control
 Rope reeving function via radio remote control
 Assembly radio remote control
 Use of luffing jib winch as auxiliary winch
 Tagline winch 4,409 lbf free fall
 Main winch constant tension for one winch

Two hook operation

Cabin elevator 20 ft hydraulic

Special features

Crane Planner 2.0

LiDAT

Self-assembly system

Jack-up system standard / telescopic
 Self-assembly system counterweight
 Self-assembly cylinder
 Reeving winch
 Track shifting hydraulic

Service package

Cold package -25°C
 Hydraulic oil bypass filter
 Central lubrication swing ring bearings / outside
 Liebherr hydraulic oil plus (longlife & bio)
 Liebherr hydraulic oil plus arctic (longlife & bio)
 Liebherr hydraulic oil plus arctic (longlife)

Safety features

Assistance system: Boom Up-and-Down Assistant
 Assistance system: Horizontal Load Path
 Assistance system: Vertical Line Finder
 Assistance system: Ground Pressure Indication and Visualization
 Rear and side view cameras

Winch camera

Zoom camera at boom head
 Platforms and railings on uppercarriage 1.9 ft
 Additional access ladder for boom assembly
 Railings on rooftop foldable
 Railings for cabin platform

Cabin protection roof, FOPS level 1

Vandalism cabin protection
 Lifting height indication for both hoist winches
 Plug&Play diesel-hydraulic back-up unit 18.4 kW
 Swing and boom radius limit device
 Aircraft warning light
 Swing warning light
 Lightning rod
 Mechanical angle display

Access control

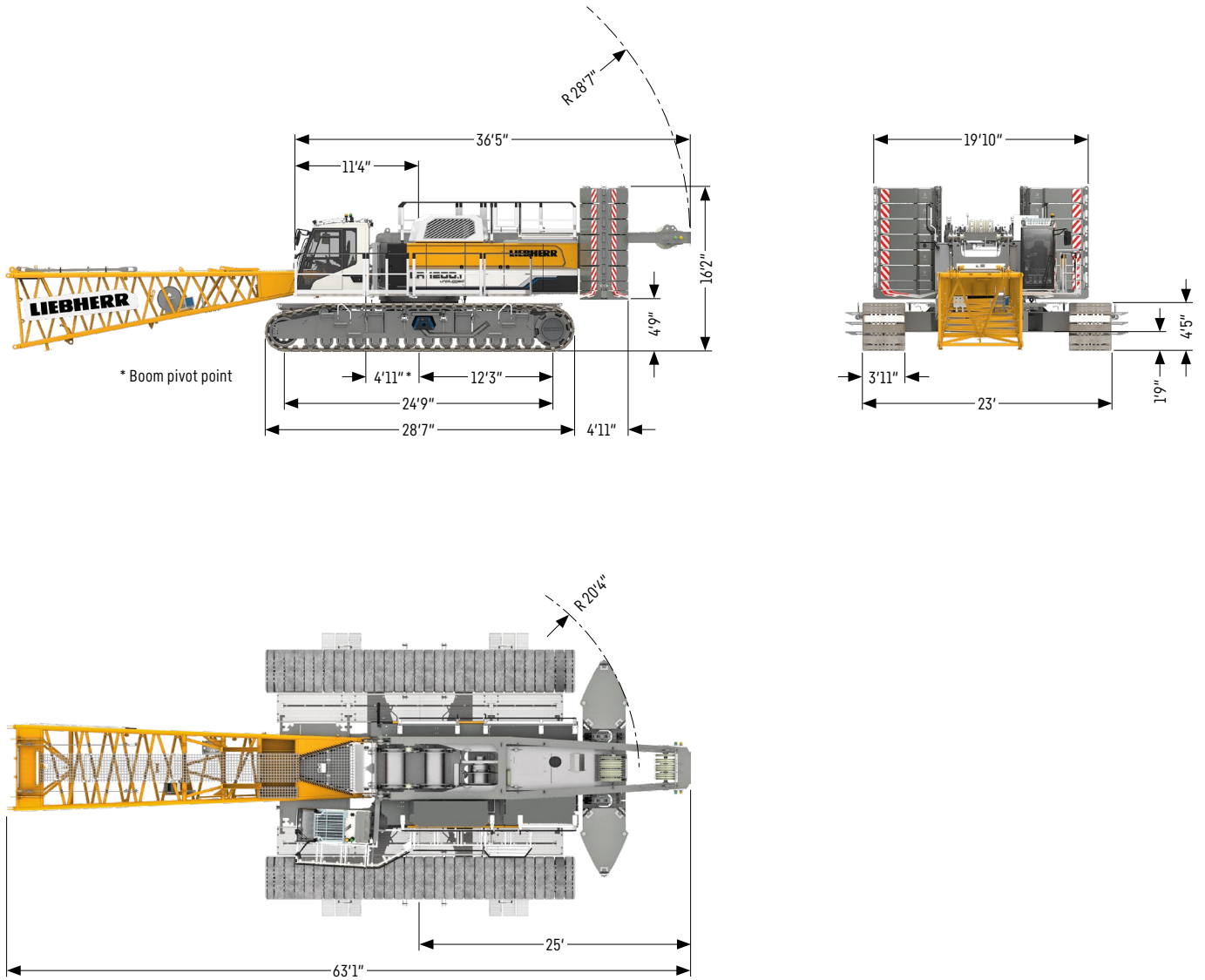
Operator's comfort

Additional access ladder
 Additional floodlights
 Cabin air conditioner
 Cabin tilting device hydraulic
 Gear oil level warning
 Litronic additional language
 Jump-start socket (NATO type)

(S) standard, (O) option

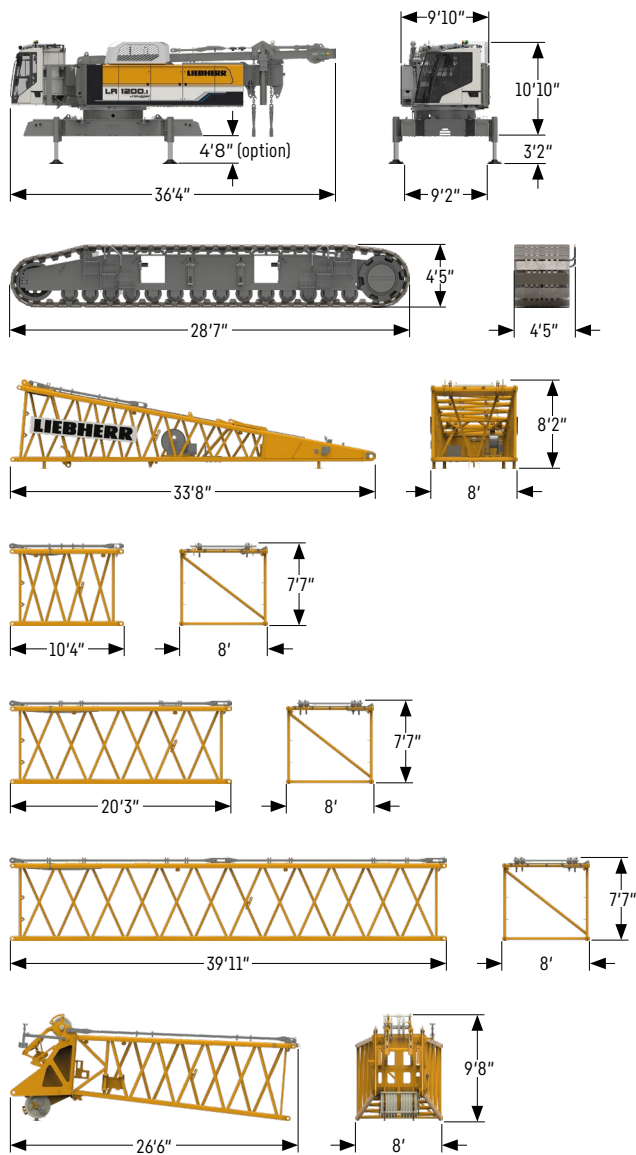
Dimensions

Basic machine with undercarriage



Transport dimensions and weights

Basic machine and main boom 2320.xx



Basic machine

Weight without hoist rope	lbs	91,933
Weight of hoist ropes	lbs/ft	2.28
with A-frame 1, winches 1+2 (2x 26,977 lbf), without boom foot, without rear counterweight, without carbody counterweight and crawler side frames		

Crawler side frame

Weight flat track pads 3.9 ft	lbs	43,338
-------------------------------	-----	--------

Boom foot 33 ft (No. 2320.25)

Weight including winch	lbs	10,642
Weight without winch	lbs	8,239

Jib section 10 ft (No. 2320.23)

Weight including boom pendants	lbs	1,920
Weight including boom and jib pendants	lbs	1,894

Jib section 20 ft (No. 2320.20)

Weight including boom pendants	lbs	2,601
Weight including boom and jib pendants	lbs	2,939

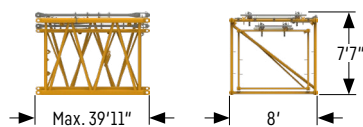
Jib section 40 ft (No. 2320.20)

Weight including boom pendants	lbs	4,650
Weight including boom and jib pendants	lbs	5,318

Jib head 23 ft (No. 2320.23)

Weight including boom pendants	lbs	7,965
--------------------------------	-----	-------

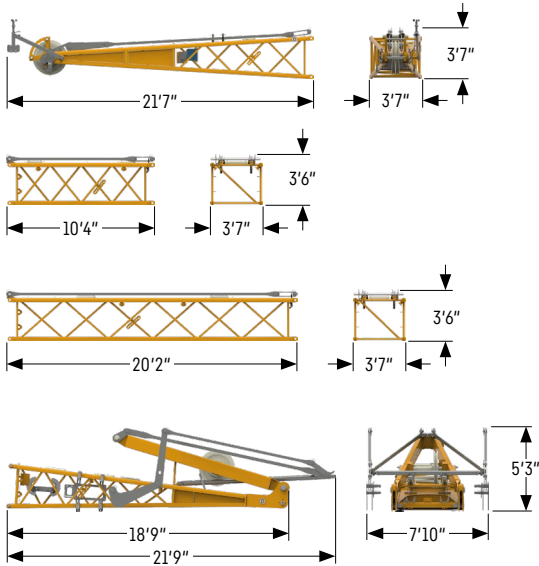
Transport option 2320.xx / 1916.xx



Transport option (No. 2320.xx / 1916.xx)

No. 2320.xx / 1916.xx	ft	10/10	20/20	40/40
Weight including pendants	lbs	3,202	4,550	8,155

Fixed jib 1008.xx



Jib head 18 ft (No. 1008.20)

Weight including pendants	lbs 1,925
---------------------------	-----------

Jib section 10 ft (No. 1008.17)

Weight including pendants	lbs 589
---------------------------	---------

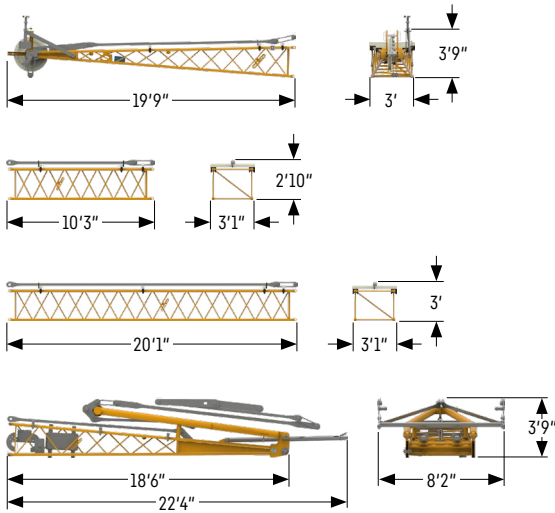
Jib section 20 ft (No. 1008.17)

Weight including pendants	lbs 988
---------------------------	---------

Jib foot 18 ft with A-frame (No. 1008.20)

Weight including pendants	lbs 4,652
---------------------------	-----------

Fixed jib 0806.xx



Jib head 18 ft (No. 0806.16)

Weight including pendants	lbs 974
---------------------------	---------

Jib section 10 ft (No. 0806.15)

Weight including pendants	lbs 311
---------------------------	---------

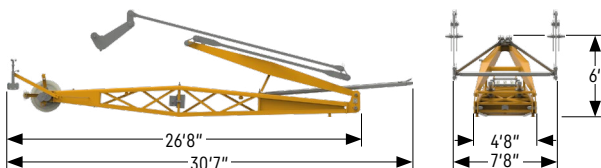
Jib section 20 ft (No. 0806.15)

Weight including pendants	lbs 549
---------------------------	---------

Jib foot 18 ft with A-frame (No. 0806.16)

Weight including pendants	lbs 2,242
---------------------------	-----------

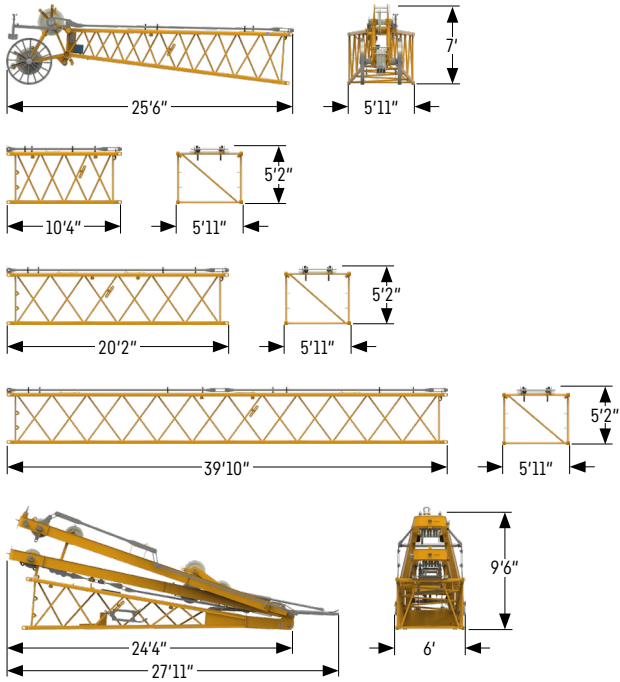
Fixed jib 0906.21



Fixed jib 23 ft (No. 0906.21)

Weight including pendants	lbs 5,320
---------------------------	-----------

Luffing jib 1713.xx



Jib head 23 ft (No. 1713.21)

Weight including pendants	lbs 3,034
---------------------------	-----------

Jib section 10 ft (No. 1713.18)

Weight including pendants	lbs 869
---------------------------	---------

Jib section 20 ft (No. 1713.18)

Weight including pendants	lbs 1,376
---------------------------	-----------

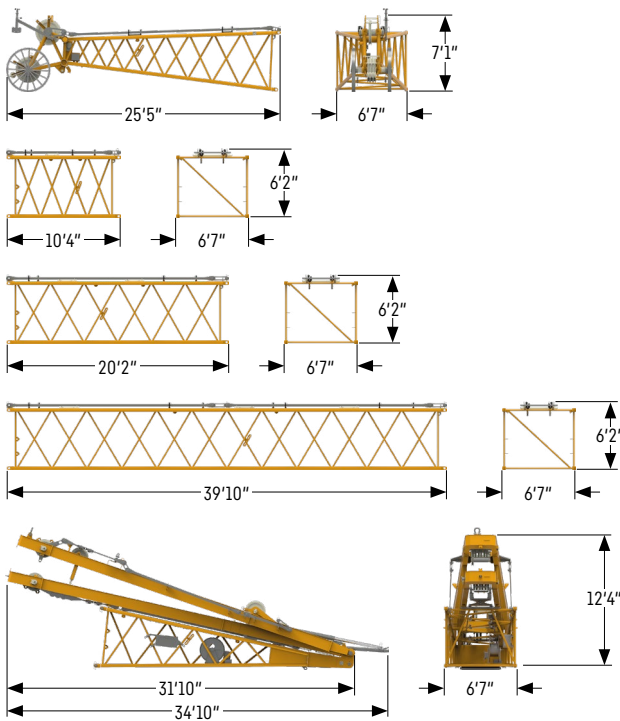
Jib section 40 ft (No. 1713.18)

Weight including pendants	lbs 2,474
---------------------------	-----------

Jib foot 23 ft with A-frames 2 + 3 (No. 1713.22)

Weight including pendants	lbs 10,501
---------------------------	------------

Luffing jib 1916.xx



Jib head 23 ft (No. 1916.21)

Weight including pendants	lbs 3,351
---------------------------	-----------

Jib section 10 ft (No. 1916.18)

Weight including pendants	lbs 1,089
---------------------------	-----------

Jib section 20 ft (No. 1916.18)

Weight including pendants	lbs 1,612
---------------------------	-----------

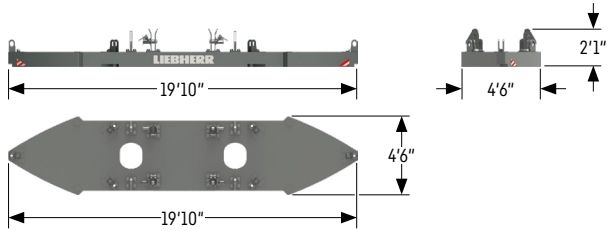
Jib section 40 ft (No. 1916.18)

Weight including pendants	lbs 2,837
---------------------------	-----------

Jib foot 23 ft with A-frames (No. 1916.22)

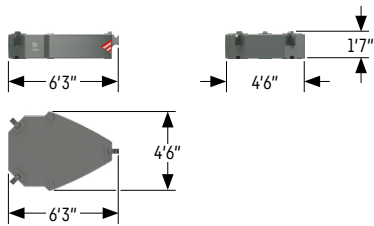
Weight including pendants	lbs 13,750
---------------------------	------------

Counterweight



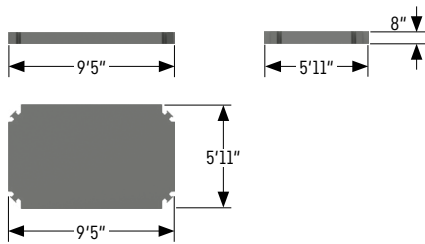
Basic counterweight slab without tie-down (1x)

Weight	lbs 26,500
--------	------------



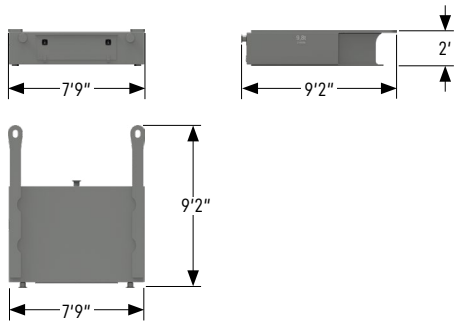
Counterweight slab (12x)

Weight	lbs 11,000
--------	------------



Carbody counterweight slab (2x)

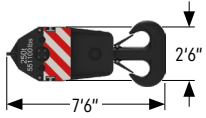
Weight	lbs 18,300
--------	------------



Carbody counterweight (2x)

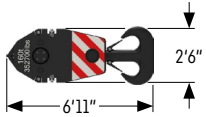
Weight	lbs 21,600
--------	------------

Pulley block with additional weights / load hooks



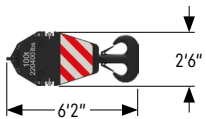
551,200 lbs pulley block - 11 pulleys

Width	4'1"
Weight	lbs 5,070 / 7,055



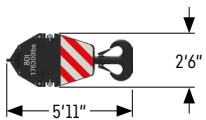
352,700 lbs pulley block - 7 pulleys

Width	2'11"
Weight	lbs 3,307 / 4,960 / 6,614



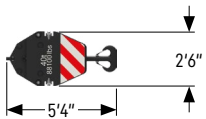
220,400 lbs pulley block - 5 pulleys

Width	2'5"
Weight	lbs 2,866 / 3,968 / 5,071



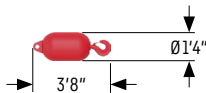
176,300 lbs pulley block - 3 pulleys

Width	1'10"
Weight	lbs 2,205 / 3,307 / 4,409



88,100 lbs pulley block - 1 pulley

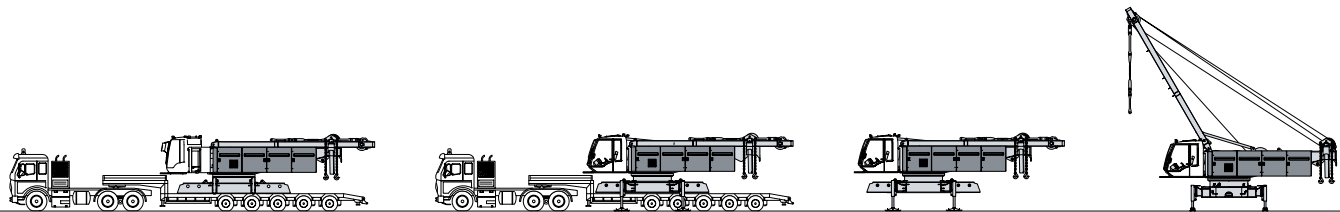
Width	1'7"
Weight	lbs 1,543 / 2,425 / 3,307



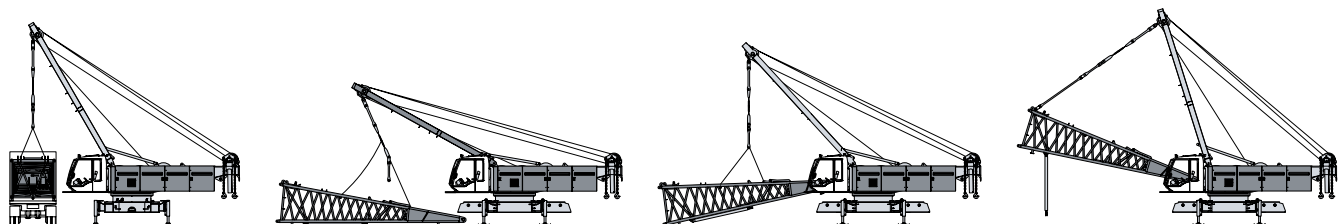
27,560 lbs load hook

Weight	lbs 1,323
--------	-----------

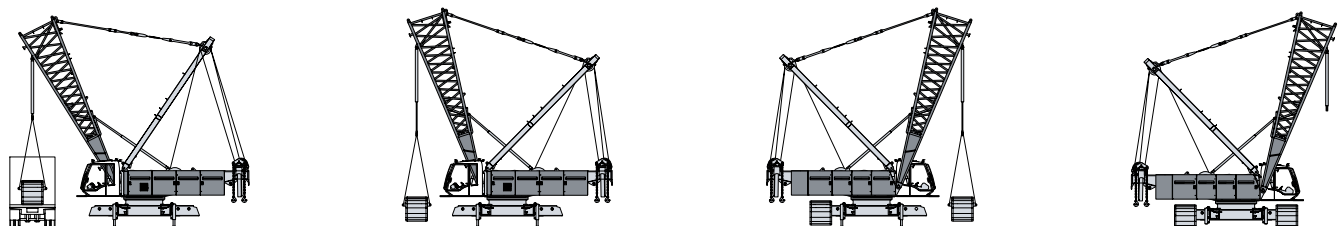
Self-assembly system



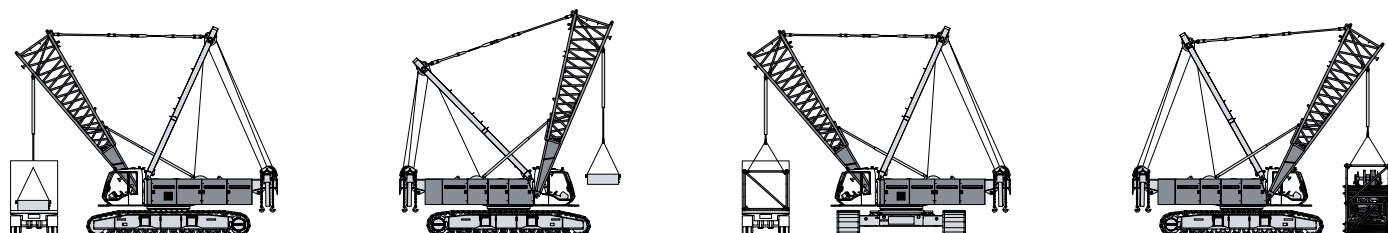
Unloading of basic machine



Unloading and assembly of boom foot

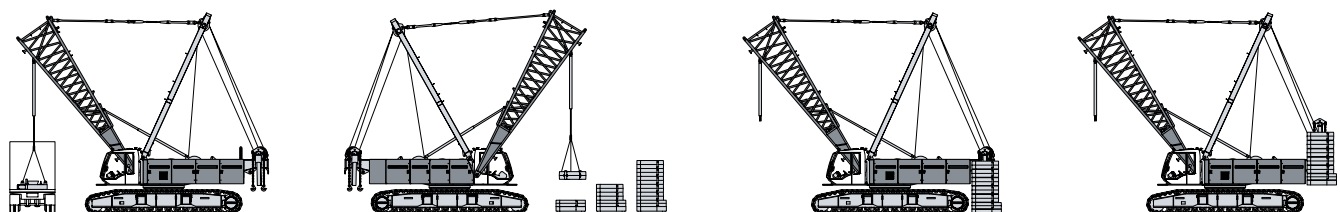


Unloading and assembly of crawler side frames

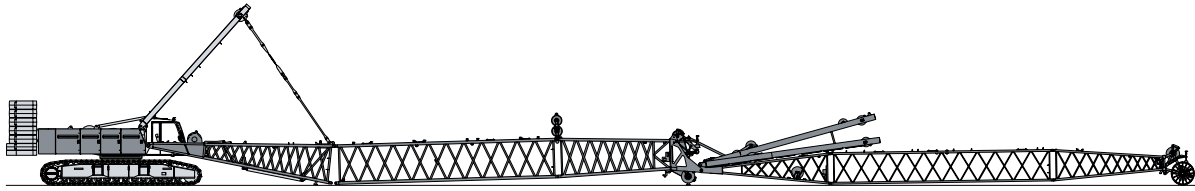


Unloading and assembly of carbody counterweight

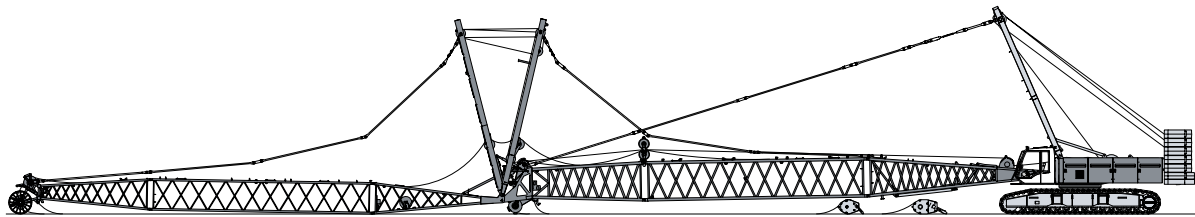
Unloading and assembly of boom



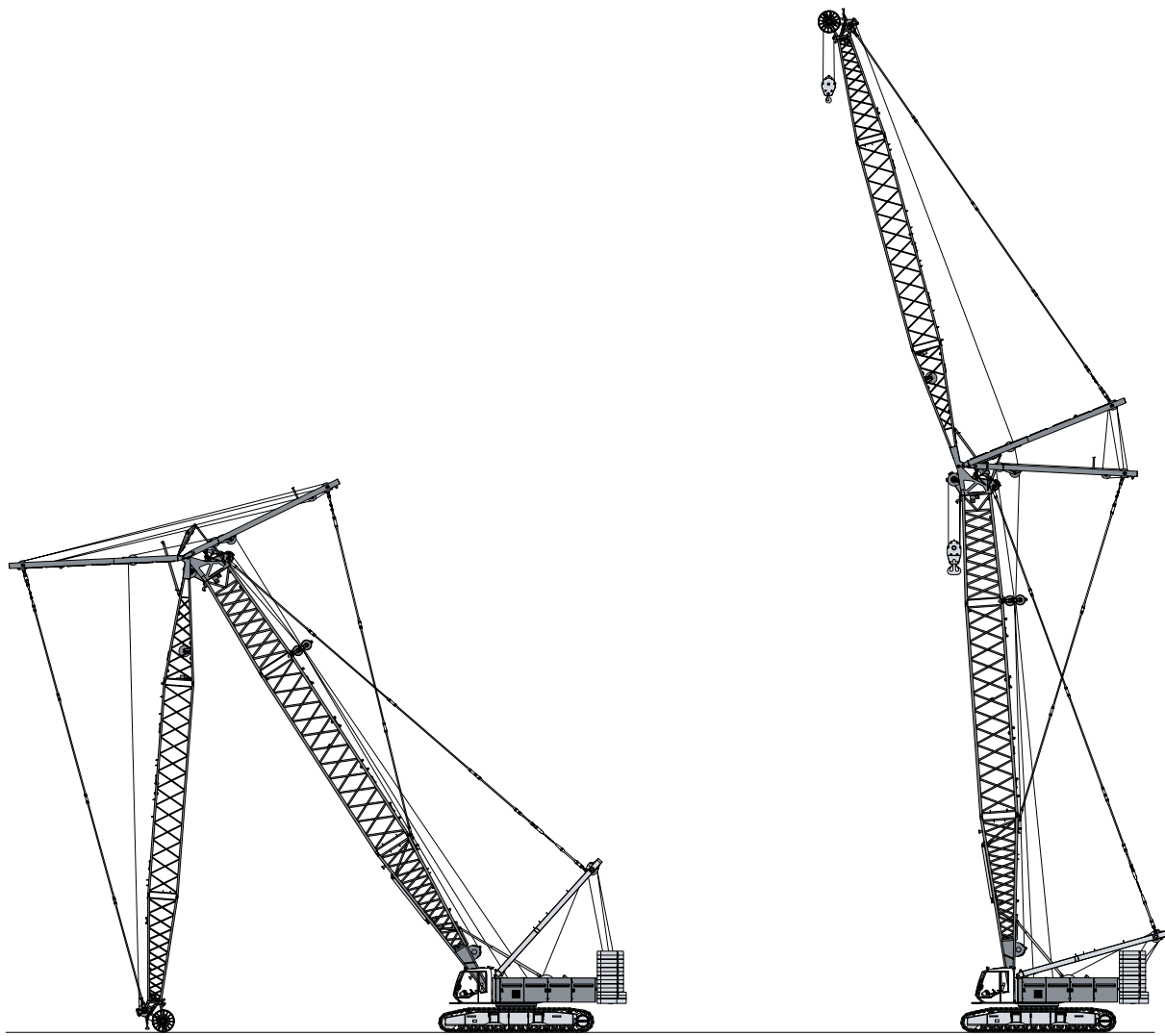
Unloading and assembly of rear counterweight



Assembly of boom

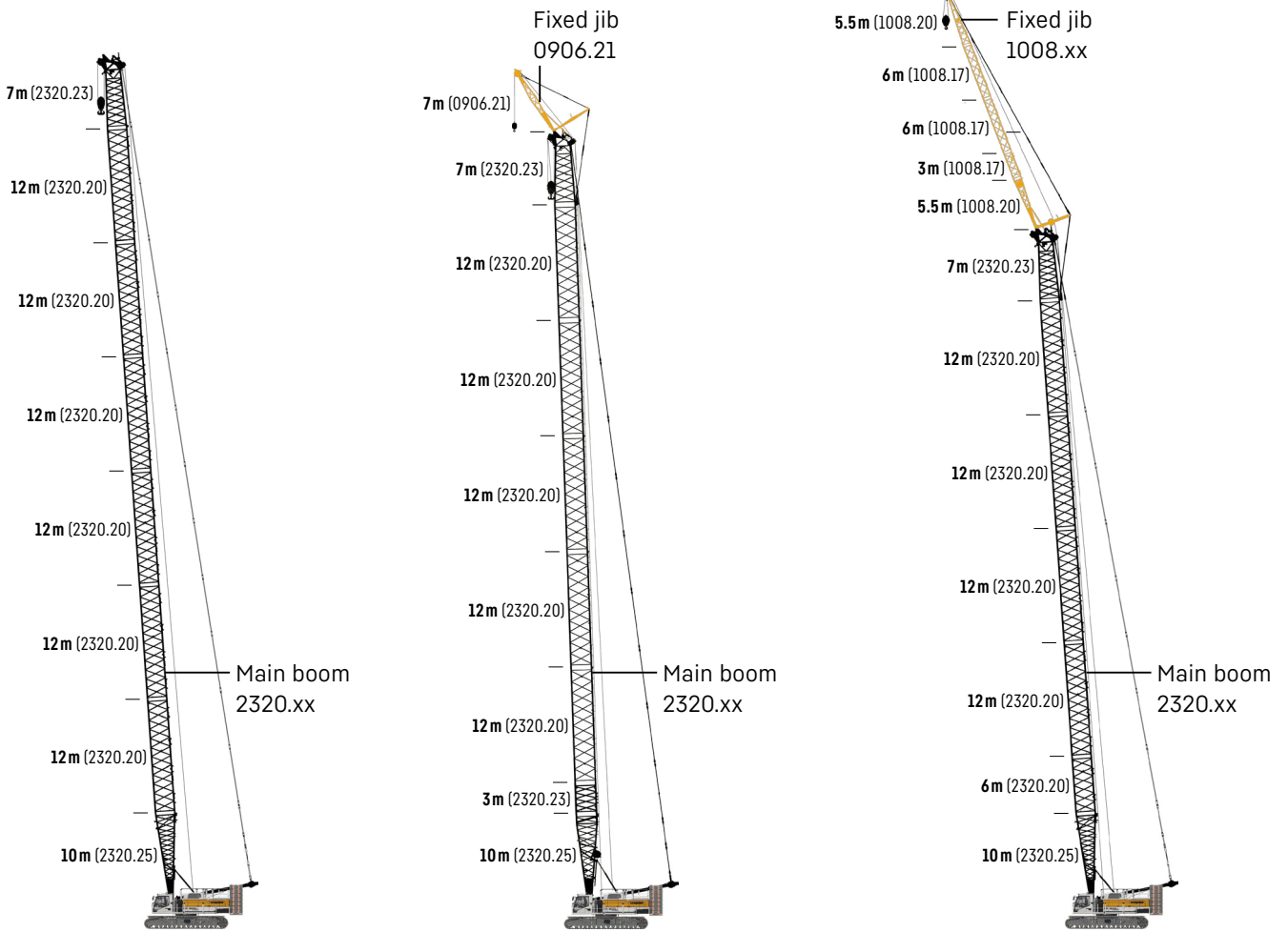


Reeving of hoist and luffing jib ropes



Erecting of main boom and luffing jib

Boom combinations



Main boom

Mode 1

Max. length

2320.xx ft 292

Further information on page 20.

Main boom + fixed jib

Mode 3

Max. combination

2320.xx ft 262

0906.21 ft 23

Total length ft 285

Further information on page 42.

Main boom + fixed jib

Mode 3

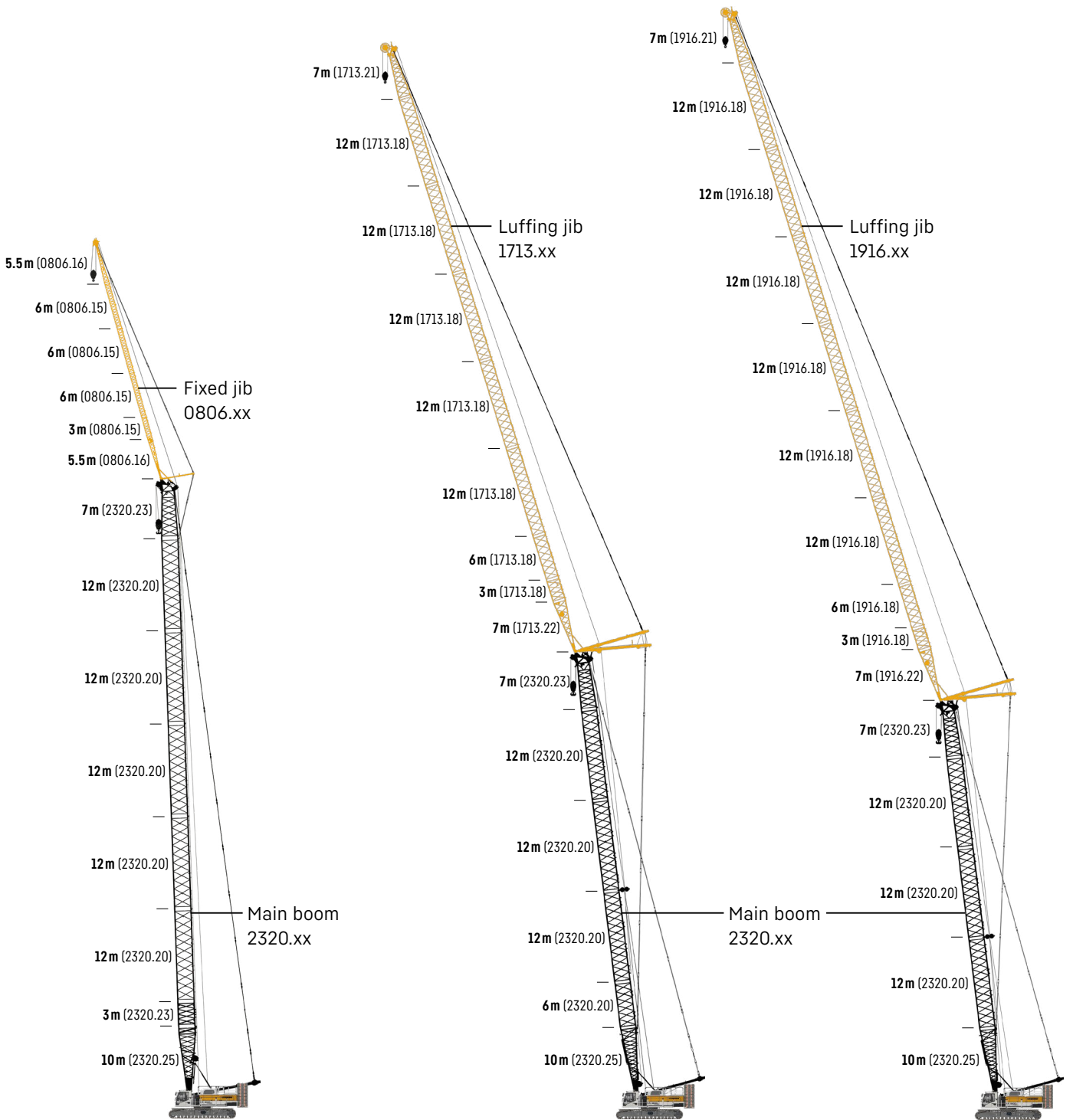
Max. combination

2320.xx ft 233 243 253

1008.xx ft 85 75 56

Total length ft 318 318 309

Further information on page 34.



Main boom + fixed jib

Mode 3			
Max. combination			
2320.xx	ft	262	272
0806.xx	ft	105	76
Total length	ft	367	348

Further information on page 38.

Main boom + luffing jib

Mode 4				
Max. combination				
2320.xx	ft	194	203	213
1713.xx	ft	272	243	174
Total length	ft	466	446	387

Further information on page 22.

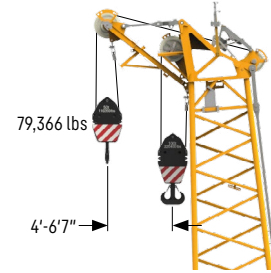
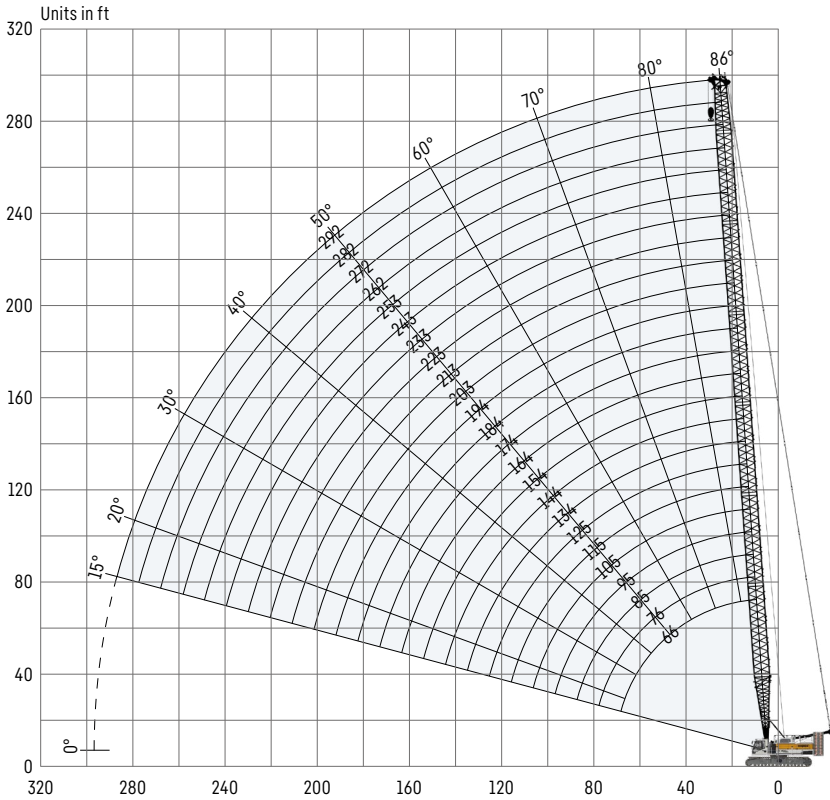
Main boom + luffing jib

Mode 4				
Max. combination				
2320.xx	ft	174	184	194
1916.xx	ft	312	262	203
Total length	ft	486	446	397

Further information on page 28.

Main boom 2320.xx

Boom lengths 66-292 ft



Auxiliary jib 79,366 lbs (option)
 The maximum capacity of the auxiliary jib is 79,366 lbs. The corresponding load chart is programmed in the LML system.

Main boom configuration 2320.xx

Boom section	Amount of boom sections												
Boom foot 33 ft	1	1	1	1	1	1	1	1	1	1	1	1	1
Boom section 10 ft	1		1		1		1		1		1		1
Boom section 20 ft		1	1			1	1			1	1		
Boom section 40 ft				1	1	1	1	2	2	2	2	3	
Boom head 23 ft	1	1	1	1	1	1	1	1	1	1	1	1	1
Boom length [ft]	66	76	85	95	105	115	125	134	144	154	164	174	
Auxiliary jib	✓	✓	✓	✓	✓	✓	✓	✓	✓	✓	✓	✓	✓
Boom foot 33 ft	1	1	1	1	1	1	1	1	1	1	1	1	1
Boom section 10 ft	1		1		1		1		1		1		1
Boom section 20 ft		1	1			1	1			1	1		
Boom section 40 ft	3	3	3	4	4	4	4	5	5	5	5	6	
Boom head 23 ft	1	1	1	1	1	1	1	1	1	1	1	1	1
Boom length [ft]	184	194	203	213	223	233	243	253	262	272	282	292	
Auxiliary jib	✓	✓	✓	✓	✓	✓	✓	✓	✓	✓	✓	✓	✓

Load capacities with main boom

Load capacities in 1000 lbs

	Boom length [ft]											
	66	85	105	125	144	164	184	203	223	243	262	292
15	484.9	367.7										
20	416.2	356.0	341.2	303.9	255.5							
25	339.4	335.2	311.6	276.5	237.4	201.9	181.8	150.9	122.7			
30	254.4	254.6	254.7	252.6	218.0	189.3	175.2	146.7	120.5	105.1	88.0	65.5
35	201.6	219.4	219.4	219.2	203.3	176.3	170.1	142.9	117.2	103.8	86.9	65.1
40	181.1	181.1	181.1	180.8	180.5	167.0	166.1	139.1	113.4	102.3	86.1	64.2
45	153.8	153.8	153.7	153.3	153.0	152.6	152.2	136.1	110.1	100.0	84.4	63.4
50	133.2	133.2	133.2	132.7	132.4	131.9	131.5	130.3	107.6	98.2	82.9	62.1
55	117.2	117.3	117.2	116.7	116.4	115.8	115.4	114.8	104.0	96.8	81.6	61.1
60	104.3	104.4	104.4	103.9	103.5	103.0	102.5	101.9	100.1	93.2	80.5	60.3
65	93.7	93.9	93.9	93.4	93.0	92.4	91.9	91.3	90.8	89.8	78.7	59.5
70	26.6	85.2	85.1	84.6	84.2	83.7	83.1	82.5	82.0	81.3	77.0	58.0
75		77.7	77.7	77.2	76.8	76.2	75.7	75.1	74.5	73.8	73.2	56.6
80		71.3	71.3	70.9	70.5	69.8	69.3	68.7	68.1	67.4	66.8	55.4
85		65.6	65.8	65.3	64.9	64.3	63.8	63.1	62.5	61.9	61.2	54.3
90			60.9	60.5	60.1	59.5	58.9	58.3	57.7	57.0	56.4	53.4
95			56.6	56.2	55.8	55.2	54.7	54.0	53.4	52.7	52.1	51.1
100			52.8	52.4	52.0	51.4	50.9	50.2	49.6	48.9	48.2	47.2
105			49.3	49.0	48.6	48.0	47.5	46.8	46.2	45.4	44.8	43.8
110				45.9	45.6	44.9	44.4	43.7	43.1	42.4	41.7	40.7
115				43.1	42.8	42.2	41.6	40.9	40.3	39.6	38.9	37.9
120				40.5	40.2	39.6	39.1	38.4	37.8	37.0	36.4	35.4
125				38.1	37.9	37.3	36.8	36.1	35.5	34.7	34.1	33.0
130					35.8	35.2	34.7	34.0	33.3	32.6	31.9	30.9
135					33.8	33.2	32.7	32.0	31.4	30.6	30.0	29.0
140					31.9	31.4	30.9	30.2	29.6	28.8	28.2	27.1
145					30.2	29.7	29.2	28.5	27.9	27.2	26.6	25.6
150						28.1	27.7	27.0	26.5	25.7	25.1	24.0
155						26.7	26.3	25.6	25.0	24.3	23.6	22.6
160						25.4	24.9	24.3	23.7	22.9	22.3	21.2
165						24.0	23.7	23.0	22.4	21.7	21.0	20.0
170							22.4	21.8	21.2	20.5	19.8	18.8
175							21.3	20.7	20.1	19.3	18.7	17.6
180							20.2	19.6	19.0	18.3	17.6	16.6
185								18.6	18.0	17.3	16.6	15.6
190								17.6	17.1	16.3	15.7	14.6
200								15.8	15.3	14.6	13.9	12.9
210									13.7	13.0	12.4	11.3
220									12.2	11.6	10.9	9.9
230										10.2	9.6	8.6
240										9.0	8.4	7.4
250											7.3	6.3
260											6.2	5.3
275												3.9
285												3.1

Carbody counterweight: 79,800 lbs

Rear counterweight:

137,300 lbs

159,400 lbs

181,400 lbs



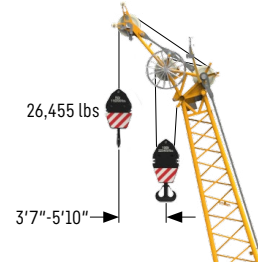
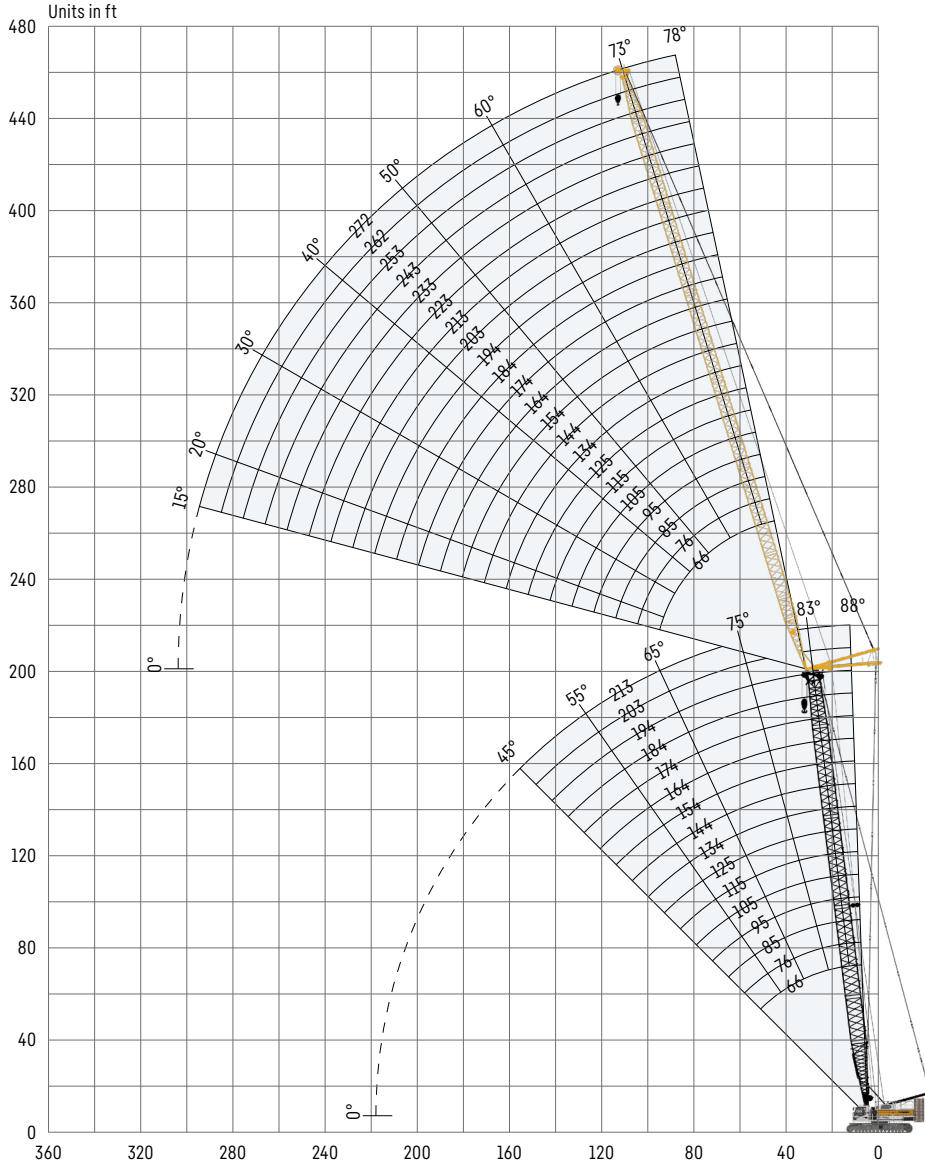
TLT 13639070 / 296238. Above load charts are for reference only. For actual lift duty please refer to load chart in operator's cabin or manual. Otherwise we recommend you to plan your lifting job using Crane Planner 2.0.

www.liebherr.com/CranePlanner

Crane Planner 2.0

Luffing jib 1713.xx

Jib lengths 66-272 ft



Auxiliary jib 26,455 lbs (option)
The maximum capacity of the auxiliary jib is 26,455 lbs.

Jib configuration 1713.xx

Jib section	Amount of jib sections																					
	66	76	85	95	105	115	125	134	144	154	164	174	184	194	203	213	223	233	243	253	262	272
Jib foot 23 ft	1	1	1	1	1	1	1	1	1	1	1	1	1	1	1	1	1	1	1	1	1	1
Jib section 10 ft		1		1		1		1		1		1		1		1		1		1		1
Jib section 20 ft	1	1			1	1			1	1			1	1			1	1			1	1
Jib section 40 ft			1	1	1	1	2	2	2	3	3	3	3	4	4	4	4	5	5	5	5	5
Jib head 23 ft	1	1	1	1	1	1	1	1	1	1	1	1	1	1	1	1	1	1	1	1	1	1
Jib length [ft]	66	76	85	95	105	115	125	134	144	154	164	174	184	194	203	213	223	233	243	253	262	272
Auxiliary jib	✓	✓	✓	✓	✓	✓	✓	✓	✓	✓	✓	✓	✓	✓	✓	✓	✓	✓	✓	✓	✓	✓

Actual lengths of boom sections are metric (e.g. 3m, 6m). The figures shown above are approximate conversions to feet.
For main boom configuration please refer to the table on page 20.

Load capacities with luffing jib

Load capacities in 1000 lbs with 66 ft main boom [88/83/75/65°]

Radius [ft]	Jib length 66 ft				Jib length 105 ft				Jib length 144 ft			
	88°	83°	75°	65°	88°	83°	75°	65°	88°	83°	75°	65°
30	132.3											
35	129.5				118.0							
40	106.5	128.5			102.0							
45	92.6	109.3			86.8				81.1			
50	79.6	94.6			77.7	88.1			72.4			
55	71.9	81.3	104.9		68.0	78.4			64.6			
60	64.2	73.5	91.2		60.8	69.1			57.5			
65	58.0	65.6	79.1		55.0	61.5			53.0	57.6		
70	49.5	59.3	71.9		50.7	55.7			48.6	51.6		
75	26.6	52.4	64.5		46.1	51.5	60.1		44.2	47.1		
80		26.6	58.8	72.1	42.6	47.0	54.1		40.8	42.9		
85		26.6	58.8	66.9	39.5	43.5	50.3		37.6	39.7		
90			53.3	62.2	36.7	40.2	46.0		34.8	36.8	43.1	
95			26.6	58.0	34.3	37.4	42.6		32.2	34.1	39.9	
100				53.7	31.8	34.9	39.2	46.2	30.1	31.7	36.7	
110				53.7	31.8	34.9	39.2	46.2	30.1	31.7	36.7	
120							30.1	34.1	25.2	26.6	28.2	
130								30.5	22.5	24.2	26.5	27.9
140									19.7	21.7	23.4	26.6
150									16.7	19.4	21.2	23.5
160												21.3
180												19.4
Radius [ft]	Jib length 184 ft				Jib length 223 ft				Jib length 272 ft			
	88°	83°	75°	65°	88°	83°	75°	65°	88°	83°	75°	65°
55	51.5											
70	43.6				32.8				19.5			
75	40.5	44.5			32.0				19.3			
85	34.7	37.5			30.3	30.5			18.1			
90	32.0	34.8			29.7	30.2			17.7			
100	28.0	29.9			26.3	27.9			16.6	17.0		
105	26.6	28.2	30.7		24.9	26.6			16.2	16.8		
115	24.8	26.6	27.8		22.6	23.9			15.5	15.9		
120	23.2	25.0	26.6		21.7	22.6			15.1	15.6		
130	20.7	22.1	24.5		19.1	20.4	22.4		14.3	14.7		
140	18.6	19.9	21.6		16.9	18.0	19.7		13.8	14.0		
150	16.7	17.9	19.5	21.5	15.0	16.0	17.6		12.4	13.3	14.3	
160	15.1	16.1	17.3	19.2	13.5	14.4	15.6		11.0	11.8	12.9	
170	13.5	14.7	15.5	17.3	12.1	12.9	14.1	15.3	9.7	10.4	11.8	
180	12.0	13.2	14.1	15.5	10.8	11.5	12.5	13.8	8.6	9.2	10.4	
190		11.7	12.8	14.1	9.6	10.3	11.1	12.3	7.7	8.3	9.0	
200			11.5	12.9	8.6	9.3	9.8	11.0	6.7	7.2	7.9	8.7
220					6.6	7.3	8.0	8.7	4.9	5.4	5.9	6.7
240							6.2	7.2	3.5	4.0	4.2	4.9
260									2.2	2.7	3.0	3.5
270										2.0	2.4	3.0
285												2.2

Carbody counterweight: 79,800 lbs

Rear counterweight:

159,400 lbs

181,400 lbs



TLT 13639070 / 296238. Above load charts are for reference only. For actual lift duty please refer to load chart in operator's cabin or manual. Otherwise we recommend you to plan your lifting job using Crane Planner 2.0.

www.liebherr.com/CranePlanner

Crane Planner 2.0

Load capacities with luffing jib

Load capacities in 1000 lbs with 95 ft main boom [88/83/75/65°]

Radius (ft)	Jib length 66 ft				Jib length 105 ft				Jib length 144 ft			
	88°	83°	75°	65°	88°	83°	75°	65°	88°	83°	75°	65°
30	132.3											
35	131.0				110.5							
40	114.6				104.8							
45	99.2	127.1			93.1				74.7			
50	85.2	107.9			81.0				72.2			
55	76.7	94.0			72.6	88.3			68.2			
60	68.4	81.5			64.6	78.5			60.7			
65	61.6	74.0	95.4		58.5	69.3			55.6	62.4		
70	55.4	66.2	87.2		53.0	62.2			51.6	58.5		
75	48.9	60.1	79.1		49.2	56.4			46.9	53.0		
80		54.5	71.0		45.4	52.3	64.5		43.2	48.8		
85			64.1		42.0	47.9	59.2		40.0	44.5		
90			58.6	61.0	39.0	44.4	54.1		36.9	41.4		
95			53.0	57.1	36.4	41.2	50.2		34.2	38.2		
100				53.7	34.2	38.3	46.2		31.9	35.4	43.5	
110				47.9	29.7	33.7	39.5		28.3	30.9	37.4	
120						29.2	34.5	42.3	26.6	27.5	32.2	
130							30.6	36.8	23.9	26.5	28.6	
140								32.8	21.5	23.8	26.6	30.2
155										20.2	22.9	26.6
165											20.8	24.1
185												19.9
Radius (ft)	Jib length 184 ft				Jib length 223 ft				Jib length 272 ft			
	88°	83°	75°	65°	88°	83°	75°	65°	88°	83°	75°	65°
55	48.8											
70	43.9				31.3							
85	37.1	41.4			29.1				17.5			
95	31.9	35.4			27.8	29.3			16.6			
100	30.0	32.8			26.3	28.4			16.1			
115	25.1	27.0	31.7		22.6	24.9			15.1	15.6		
130	22.0	24.1	26.6		19.3	22.3	24.1		14.0	14.6		
140	19.8	21.7	24.9		17.4	19.7	23.0		13.5	13.9		
150	17.9	19.6	22.1		15.9	17.6	20.3		12.6	13.4	13.7	
170	14.7	16.1	17.9	20.8	13.0	14.3	16.1		10.1	11.0	12.7	
180	13.2	14.6	16.1	18.8	11.7	12.8	14.7	16.1	9.2	10.0	12.2	
190	11.6	13.1	14.7	16.9	10.5	11.5	13.1	15.2	8.5	9.2	10.8	
200			13.4	15.3	9.5	10.4	11.6	13.5	7.5	8.3	9.5	
215				13.4	7.9	8.9	9.8	11.5	6.1	6.8	8.0	9.4
230						7.3	8.5	9.7	4.9	5.5	6.4	7.6
240							7.6	8.8	4.2	4.8	5.5	6.8
250							6.6	8.0	3.5	4.1	4.7	5.8
260								7.2	2.8	3.5	4.0	5.0
270									2.2	2.8	3.5	4.3
280										2.1	2.9	3.7
290											2.3	3.2
310												2.1

Carbody counterweight: 79,800 lbs

Rear counterweight:

159,400 lbs

181,400 lbs

TLT 13639070 / 296238. Above load charts are for reference only. For actual lift duty please refer to load chart in operator's cabin or manual. Otherwise we recommend you to plan your lifting job using Crane Planner 2.0.

Load capacities with luffing jib

Load capacities in 1000 lbs with 134 ft main boom [88/83/75/65°]

Radius [ft]	Jib length 66 ft				Jib length 105 ft				Jib length 144 ft			
	88°	83°	75°	65°	88°	83°	75°	65°	88°	83°	75°	65°
30	130.0											
40	111.9				91.1							
45	102.2				87.1				61.8			
50	89.1	112.9			80.6				61.2			
55	79.1	102.3			74.3				60.2			
60	71.3	91.9			66.4	83.2			57.5			
70	58.1	74.4			54.8	69.2			52.3	59.6		
80		60.7	71.3		46.7	56.6			44.1	53.0		
85		55.0	66.3		43.3	52.5			41.2	49.6		
90			61.9		40.2	48.1	60.8		38.1	45.3		
95			58.0		37.5	44.6	57.0		35.3	42.1		
100			54.5		35.2	41.4	53.6		32.9	39.0		
110				44.5	30.8	36.2	46.8		29.2	33.6	44.0	
115				42.2	26.6	34.0	43.4		27.5	31.6	40.5	
120				40.0			40.1		26.2	29.8	37.7	
130				26.6			34.9	35.3	23.7	26.6	32.6	
140							31.1		21.7	25.1	29.0	
150								29.6	19.7	22.7	26.6	28.4
160								27.3		20.4	24.4	26.2
170											22.2	24.2
180											20.1	22.5
205												18.8
Radius [ft]	Jib length 184 ft				Jib length 223 ft				Jib length 272 ft			
	88°	83°	75°	65°	88°	83°	75°	65°	88°	83°	75°	65°
55	41.7											
70	40.0				28.1							
85	36.7	39.8			26.8				16.6			
95	32.3	38.1			26.1	26.7			15.9			
100	30.7	36.3			25.2	26.5			15.5			
115	25.5	29.6			22.6	24.9			14.6	15.3		
130	21.4	24.4	30.6		19.9	22.0			13.5	14.3		
140	19.4	21.9	26.9		17.6	20.1	22.9		13.0	13.7		
150	17.5	20.0	24.2		15.8	17.9	22.4		12.4	13.1		
170	15.2	16.8	20.3		12.8	14.6	18.1		10.2	11.4	12.9	
180	13.7	15.5	18.2	21.3	11.5	13.2	16.2		9.3	10.5	12.4	
190	12.1	14.0	16.4	19.8	10.6	12.0	14.8		8.5	9.7	11.9	
200		12.5	15.0	18.4	9.9	11.0	13.3	16.0	7.5	9.0	10.6	
215			13.0	15.8	8.3	9.6	11.2	14.0	6.2	7.6	9.0	
230				13.9			9.6	12.0	5.1	6.2	7.7	9.5
245							8.3	10.1	4.2	5.0	6.2	8.1
260							6.9	8.8	3.1	4.0	4.9	6.7
275								7.6	2.1	3.0	4.0	5.3
290											3.1	4.2
300											2.5	3.7
310												3.2
325												2.4

Carbody counterweight: 79,800 lbs

Rear counterweight:

159,400 lbs

181,400 lbs

TLT 13639070 / 296238. Above load charts are for reference only. For actual lift duty please refer to load chart in operator's cabin or manual. Otherwise we recommend you to plan your lifting job using Crane Planner 2.0.

Load capacities with luffing jib

Load capacities in 1000 lbs with 164 ft main boom [88/83/75/65°]

Radius (ft)	Jib length 66 ft				Jib length 105 ft				Jib length 144 ft			
	88°	83°	75°	65°	88°	83°	75°	65°	88°	83°	75°	65°
30	102.4											
40	92.1				73.6							
45	87.1				71.4							
50	82.3	91.3			68.3				51.0			
55	78.6	87.3			65.7				50.1			
60	72.8	82.6			62.7				49.1			
70	59.4	74.2			56.0	63.7			46.8			
80		63.9			47.4	59.1			42.9	48.9		
85		59.2	63.8		44.1	54.5			41.5	47.5		
90		53.5	59.6		41.0	50.3			38.7	45.0		
100			52.6		35.7	43.8	51.4		33.4	41.1		
110			46.8		31.4	37.9	45.9		29.5	35.3		
120				37.2		33.5	41.3		26.3	31.0	40.1	
130				33.8		29.0	37.5		23.6	27.6	36.3	
140				30.8			30.8	29.7	21.4	24.7	31.7	
150							30.3	27.2	19.1	22.4	28.2	
160								25.1		20.2	25.8	
170								23.2			23.5	22.1
180								21.5			21.6	20.5
190											19.6	19.0
200												17.7
215												16.0
Radius (ft)	Jib length 184 ft				Jib length 223 ft				Jib length 272 ft			
	88°	83°	75°	65°	88°	83°	75°	65°	88°	83°	75°	65°
55	35.8											
70	34.6				25.2							
85	32.8	35.3			24.1			15.2	15.2			
95	30.8	34.8			23.4			14.7	14.7			
100	30.0	34.3			23.1	24.5		14.4	14.4			
115	25.9	30.2			21.9	23.6		13.7	14.3	14.3		
130	21.7	25.5	30.4		20.1	22.0		12.9	13.7	13.7		
140	19.6	22.6	29.6		17.9	21.1		12.4	13.2	13.2		
150	17.7	20.4	25.9		16.0	18.7	21.1	12.0	12.6	12.6		
160	16.1	18.5	23.0		14.6	16.7	20.6	11.0	12.2	12.2		
170	14.7	16.8	20.8		13.1	15.1	18.8	10.1	11.4	12.2	12.2	
180	13.3	15.5	19.2		11.8	13.6	16.9	9.3	10.4	12.1	12.1	
190	12.1	14.3	17.5	17.8	10.6	12.3	15.2	8.6	9.6	11.6	11.6	
200		12.9	16.1	16.6	10.0	11.1	13.9	7.7	8.9	11.2	11.2	
210			14.8	15.4	9.0	10.3	12.6	14.2	8.2	10.1	10.1	
220			13.5	14.4	8.0	9.5	11.4	13.2	7.3	9.2	9.2	
240				12.6		7.5	9.5	11.4	5.6	7.6	7.6	9.2
260							7.7	9.9	4.3	5.7	6.2	7.9
280								8.3	3.0	4.2	5.2	6.1
300										3.0	4.3	4.5
320											3.4	3.4
340											2.3	2.3

Carbody counterweight: 79,800 lbs

Rear counterweight:

159,400 lbs

181,400 lbs

TLT 13639070 / 296238. Above load charts are for reference only. For actual lift duty please refer to load chart in operator's cabin or manual. Otherwise we recommend you to plan your lifting job using Crane Planner 2.0.

Load capacities with luffing jib

Load capacities in 1000 lbs with 213 ft main boom [88/83/75/65°]

Radius [ft]	Jib length 66 ft				Jib length 85 ft				Jib length 105 ft			
	88°	83°	75°	65°	88°	83°	75°	65°	88°	83°	75°	65°
35	67.0											
40	65.1				57.0				49.6			
45	62.3				55.5				48.7			
50	60.0				53.9				47.5			
55	57.4	63.3			52.0				46.5			
60	55.5	61.3			50.4				44.9			
70	52.1	56.5			47.1	52.3			42.7	47.5		
80	26.6	53.0			43.5	48.9			40.2	44.5		
85		51.6			42.2	47.2			39.2	43.2		
90		50.2			40.7	45.8			37.2	41.9		
95		48.8	51.9		38.9	44.2			36.1	40.5		
100			48.8			42.6			35.1	39.4		
110			43.5			39.8	43.0		32.0	37.0	41.4	
115			41.2			38.3	40.8		30.0	35.8	40.1	
120			39.2				38.7			34.8	38.0	
140				26.5			32.1				31.5	
150				24.3			23.7	20.5			28.9	
160				22.3				21.9			26.6	21.1
170								20.2				19.5
180								18.7				18.1
190												16.8
200												15.6
Radius [ft]	Jib length 125 ft				Jib length 144 ft				Jib length 174 ft			
	88°	83°	75°	65°	88°	83°	75°	65°	88°	83°	75°	65°
45	42.2											
50	41.5				36.2							
60	39.7				35.1				28.5			
70	37.8				33.7				27.5			
80	35.9	40.3			32.1	35.2			26.7			
90	32.8	38.1			30.3	34.3			25.6	27.9		
100	30.5	36.0			26.8	32.6			24.7	27.3		
110	28.4	33.7			24.2	30.9			22.6	26.1		
120	26.7	31.6	35.7		22.9	28.8			20.5	25.1		
130	24.4	29.3	33.9		21.8	27.1	30.9		18.9	23.7		
140		27.3	31.0		20.7	24.9	30.0		18.0	22.4	24.5	
150		24.5	28.4		19.2	23.1	27.8		17.2	21.1	24.1	
160			26.2			21.3	25.5		16.5	19.4	23.5	
170			24.2			19.3	23.6		15.1	17.9	22.4	
180			22.4	17.5			21.9		13.6	16.6	21.0	
190				16.3			20.3	15.5		15.1	19.5	
200				15.7			19.6	15.0		14.3	18.5	
215				13.6				13.0			15.5	12.0
225								12.1			14.2	11.2
240												10.0
250												9.3
265												8.4

Carbody counterweight: 79,800 lbs

Rear counterweight:

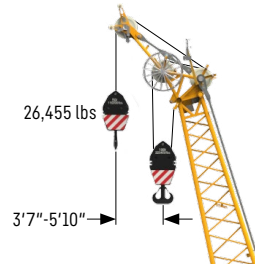
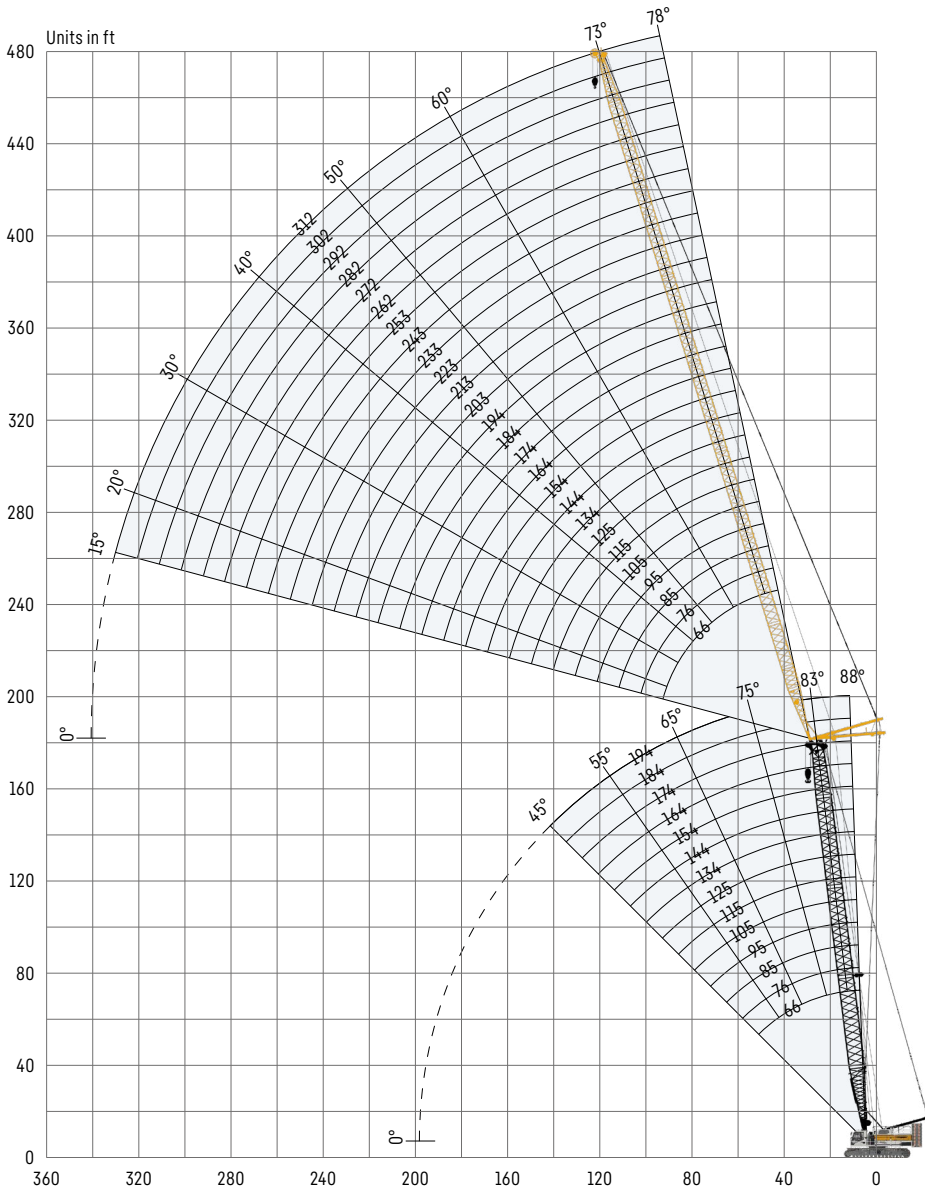
159,400 lbs

181,400 lbs

TLT 13639070 / 296238. Above load charts are for reference only. For actual lift duty please refer to load chart in operator's cabin or manual. Otherwise we recommend you to plan your lifting job using Crane Planner 2.0.

Luffing jib 1916.xx

Jib lengths 66-312 ft



Auxiliary jib 26,455 lbs (option)
 The maximum capacity of the auxiliary jib is 26,455 lbs.

Jib configuration 1916.xx

Jib section	Amount of jib sections																									
	1	1	1	1	1	1	1	1	1	1	1	1	1	1	1	1	1	1	1	1						
Jib foot 23 ft	1	1	1	1	1	1	1	1	1	1	1	1	1	1	1	1	1	1	1	1						
Jib section 10 ft		1		1		1		1		1		1		1		1		1		1						
Jib section 20 ft	1	1		1	1	1		1	1		1	1		1	1		1	1		1						
Jib section 40 ft			1	1	1	1	2	2	2	2	3	3	3	3	4	4	4	4	5	5	5					
Jib head 23 ft	1	1	1	1	1	1	1	1	1	1	1	1	1	1	1	1	1	1	1	1	1					
Jib length [ft]	66	76	85	95	105	115	125	134	144	154	164	174	184	194	203	213	223	233	243	253	262	272	282	292	302	312
Auxiliary jib	✓	✓	✓	✓	✓	✓	✓	✓	✓	✓	✓	✓	✓	✓	✓	✓	✓	✓	✓	✓	✓	✓	✓	✓	✓	✓

Actual lengths of boom sections are metric (e.g. 3m, 6m). The figures shown above are approximate conversions to feet.
 For main boom configuration please refer to the table on page 20.

Load capacities with luffing jib

Load capacities in 1000 lbs with 66 ft main boom [88/83/75/65°]

Radius (ft)	Jib length 66 ft				Jib length 115 ft				Jib length 164 ft			
	88°	83°	75°	65°	88°	83°	75°	65°	88°	83°	75°	65°
30	155.8											
35	155.8											
40	155.8	155.8			123.4							
45	145.5	155.8			116.9							
50	128.4	140.0			110.5				79.1			
55	115.6	124.0	120.2		103.5	113.1			76.9			
60	104.4	111.2	107.8		94.8	107.1			75.0			
65	96.3	100.7	97.6		88.7	99.7			73.0			
70	78.2	91.9	89.1		81.6	91.0			71.6	73.7		
75	26.6	83.3	81.9	78.3	75.6	83.6			67.5	70.8		
80		26.6	75.7	72.9	69.4	77.3	74.6		63.6	68.4		
85			70.3	67.7	64.5	71.8	69.3		60.3	65.7		
90			26.6	63.2	60.5	67.0	64.6		57.8	63.5		
95				59.1	56.9	62.7	60.5		53.9	61.7		
100				55.5	53.7	59.0	56.9		51.2	58.0	55.7	
110				55.5	53.7	59.0	56.9		51.2	58.0	55.7	
120					37.1	44.6	45.6	43.5	40.6	45.0	44.5	
130							41.3	39.4	37.1	40.7	40.3	
140								35.9	34.0	36.9	36.7	34.8
160									26.6	30.0	30.9	29.3
180											26.5	25.1
195												22.5
Radius (ft)	Jib length 213 ft				Jib length 262 ft				Jib length 312 ft			
	88°	83°	75°	65°	88°	83°	75°	65°	88°	83°	75°	65°
60	49.4											
70	47.3				30.9							
75	46.2				30.2							
85	44.4	45.5			28.9				17.6			
90	43.6	44.6			28.1				17.2			
100	41.8	43.0			26.9	27.6			16.5			
105	41.0	42.1			26.5	27.0			16.0			
115	39.5	40.6			25.3	25.9			15.3	15.8		
120	37.5	40.0	40.8		24.8	25.4			15.1	15.4		
130	33.9	36.5	38.9		23.9	24.3			14.3	14.7		
140	31.0	33.6	35.3		23.2	23.6	23.9		13.7	14.1		
150	28.7	31.3	32.2		22.3	22.8	23.4		13.1	13.5		
160	26.6	28.9	29.6	27.9	21.6	22.0	22.5		12.7	13.0	13.1	
180	24.0	26.0	25.3	23.8	20.4	20.7	21.1		11.6	11.9	12.2	
200	19.4	21.8	21.8	20.4	17.9	18.6	19.7	19.1	10.7	11.0	11.3	
220		16.6	18.9	17.7	16.1	17.1	17.7	16.4	9.8	10.2	10.5	10.7
240				15.5	13.4	15.0	15.4	14.2	8.9	9.2	9.7	9.9
260					9.4	11.5	13.4	12.4	8.1	8.5	8.8	9.2
280							11.3	10.7	6.6	7.3	8.2	8.5
300									4.6	5.7	7.2	7.8
315										4.6	6.4	7.0
335												6.0

Carbody counterweight: 79,800 lbs
 Rear counterweight:
 159,400 lbs
 181,400 lbs



TLT 13639070 / 296238. Above load charts are for reference only. For actual lift duty please refer to load chart in operator's cabin or manual. Otherwise we recommend you to plan your lifting job using Crane Planner 2.0.

Load capacities with luffing jib

Load capacities in 1000 lbs with 95 ft main boom [88/83/75/65°]

Radius (ft)	Jib length 66 ft				Jib length 115 ft				Jib length 164 ft			
	88°	83°	75°	65°	88°	83°	75°	65°	88°	83°	75°	65°
30	155.8											
35	140.5											
40	126.0				104.9							
45	115.1	135.4			101.4							
50	104.5	121.7			93.7				72.2			
55	96.8	110.9			88.1	98.3			70.9			
60	89.4	101.5			81.6	93.6			69.3			
65	83.4	93.9	95.2		76.7	87.3			65.7			
70	78.6	86.7	86.9		72.2	80.7			63.0	68.5		
80		76.4	73.8		63.8	71.1			57.2	63.9		
90			64.0	60.3	57.6	63.1	62.8		52.9	57.9		
100				53.1	51.9	56.7	55.2		48.1	53.2		
110				47.2	47.7	51.1	49.2		43.9	47.9	48.0	
120					43.8	46.7	44.2	41.2	40.7	43.8	43.0	
140							36.5	34.0	34.5	37.1	35.5	
150								31.2	32.2	34.2	32.5	29.9
160								28.6	30.0	31.8	29.9	27.5
170									27.8	29.4	27.6	25.4
180											25.6	23.5
190											23.8	21.9
200												20.3
205												19.6
Radius (ft)	Jib length 213 ft				Jib length 262 ft				Jib length 312 ft			
	88°	83°	75°	65°	88°	83°	75°	65°	88°	83°	75°	65°
60	44.2											
70	43.4				28.6							
85	41.6	42.6			27.1				16.6			
95	39.8	41.4			25.9				15.9			
100	38.7	40.7			25.4	26.1			15.6			
115	36.2	38.3			24.0	24.8			14.5	15.0		
130	32.7	35.4	37.3		22.8	23.4			13.7	14.1		
140	30.8	33.0	34.0		22.2	22.6			13.1	13.6		
150	29.2	31.1	31.0		21.4	22.0	22.6		12.6	13.0		
170	25.4	27.0	26.3		20.1	20.6	21.3		11.7	12.1	12.4	
180	23.8	25.3	24.3	22.0	19.6	20.0	20.7		11.2	11.6	12.0	
190	22.4	23.7	22.5	20.4	18.7	19.4	20.1		10.7	11.1	11.6	
200	21.0	22.4	20.9	18.9	17.8	18.5	19.5		10.4	10.7	11.2	
215	19.0	20.3	18.8	16.9	16.6	17.3	17.5	15.5	9.8	10.3	10.5	
230			16.9	15.2	15.5	16.3	15.7	13.9	9.2	9.6	10.0	10.2
240			15.8	14.2	14.4	15.5	14.6	12.9	8.8	9.2	9.7	10.0
250				13.3	13.3	14.5	13.6	12.0	8.4	8.8	9.3	9.6
260					12.1	13.6	12.7	11.1	8.1	8.5	8.9	9.3
280							11.1	9.6	7.3	7.8	8.3	8.2
300								8.3	6.3	7.0	7.6	6.9
325											6.7	5.5
345												4.5

Carbody counterweight: 79,800 lbs

Rear counterweight:

159,400 lbs

181,400 lbs

TLT 13639070 / 296238. Above load charts are for reference only. For actual lift duty please refer to load chart in operator's cabin or manual. Otherwise we recommend you to plan your lifting job using Crane Planner 2.0.

Load capacities with luffing jib

Load capacities in 1000 lbs with 134 ft main boom [88/83/75/65°]

Radius [ft]	Jib length 66 ft				Jib length 115 ft				Jib length 164 ft			
	88°	83°	75°	65°	88°	83°	75°	65°	88°	83°	75°	65°
30	137.8											
40	122.6				91.9							
45	115.1				89.6							
50	107.1	121.2			86.5				58.3			
55	100.9	114.9			83.9				57.7			
60	95.1	108.5			79.7	86.9			57.0			
70	85.1	89.7			73.3	82.7			55.3			
80		76.2	70.7		66.7	75.2			53.3	57.8		
85		70.8	65.7		64.2	69.8			52.3	57.1		
90			61.3		61.9	65.1			51.5	56.4		
95			57.5		59.3	61.0	56.0		50.4	54.8		
100			54.0		57.0	57.3	52.6		48.7	53.5		
110				43.5	52.9	51.0	46.8		45.7	49.9		
115				41.2	50.0	48.4	44.3		44.5	47.3	43.0	
120				39.1	47.2	45.9	42.1		43.5	44.8	40.7	
130				26.6		41.6	38.1		40.9	40.6	36.8	
140							34.7	30.9	38.5	37.0	33.5	
150							31.8	28.3	35.9	33.9	30.7	
160								26.0	33.0	31.2	28.2	
180										26.7	24.1	21.0
200											20.9	18.1
225												15.1
Radius [ft]	Jib length 213 ft				Jib length 262 ft				Jib length 312 ft			
	88°	83°	75°	65°	88°	83°	75°	65°	88°	83°	75°	65°
60	37.2											
70	36.5				24.8							
85	35.1				24.1				14.9			
95	34.3	36.6			23.4				14.5			
100	33.8	36.2			23.1				14.3			
115	32.6	35.0			22.1	23.0			13.4			
130	31.0	33.8			21.0	21.9			12.7	13.2		
140	30.2	32.7	31.9		20.5	21.2			12.1	12.7		
150	29.5	31.7	29.1		19.8	20.7			11.7	12.2		
170	27.1	27.5	24.6		18.7	19.5	20.2		10.9	11.3		
180	26.1	25.5	22.7		18.3	19.0	19.6		10.4	11.0	11.3	
190	25.2	23.7	21.0	17.8	17.9	18.5	19.1		10.0	10.5	11.0	
200	23.1	22.0	19.5	16.5	17.5	18.1	18.1		9.7	10.2	10.6	
215	19.9	19.8	17.5	14.7	17.0	17.6	16.1		9.3	9.7	10.1	
230		17.9	15.8	13.2	16.6	16.7	14.4	11.7	8.7	9.2	9.6	
245			14.2	11.8	14.8	15.1	12.9	10.4	8.1	8.6	9.2	
260				10.6	13.0	13.6	11.6	9.2	7.6	8.1	8.7	7.6
275						12.3	10.4	8.2	7.2	7.7	8.3	6.6
290							9.3	7.2	6.7	7.3	7.8	5.7
300								6.7	6.4	7.0	7.3	5.1
330											5.6	3.7
365												2.2

Carbody counterweight: 79,800 lbs

Rear counterweight:

159,400 lbs

181,400 lbs

TLT 13639070 / 296238. Above load charts are for reference only. For actual lift duty please refer to load chart in operator's cabin or manual. Otherwise we recommend you to plan your lifting job using Crane Planner 2.0.

Load capacities with luffing jib

Load capacities in 1000 lbs with 164 ft main boom [88/83/75/65°]

Radius (ft)	Jib length 66 ft				Jib length 115 ft				Jib length 164 ft			
	88°	83°	75°	65°	88°	83°	75°	65°	88°	83°	75°	65°
30	104.9											
40	97.9				72.8							
45	93.3				71.5							
50	89.3	97.8			69.5				47.6			
55	85.9	94.1			67.5				47.3			
60	82.7	89.9			65.4				46.5			
70	76.9	82.8			61.7	66.8			44.9			
80		75.2	67.7		57.8	62.8			43.3	46.7		
85		69.8	63.1		56.2	61.2			42.4	46.2		
90		65.1	58.9		54.8	59.2			41.6	45.4		
100			51.9		51.7	56.0			39.9	43.7		
110			46.1		49.2	50.2	44.7		38.2	42.3		
120				37.4	46.3	45.2	40.2		36.9	40.3		
130				34.3		40.9	36.4		35.2	38.8	35.0	
140				31.1		26.6	33.1		33.7	36.3	31.8	
150							30.4	25.7	32.5	33.2	29.1	
160								27.9	30.9	30.6	26.7	
170									29.3	28.2	24.7	
180									20.2	26.2	22.9	18.8
190									18.7		21.2	17.4
200											19.7	16.1
215												14.4
Radius (ft)	Jib length 213 ft				Jib length 262 ft				Jib length 312 ft			
	88°	83°	75°	65°	88°	83°	75°	65°	88°	83°	75°	65°
60	32.0											
70	31.4											
85	30.2				21.1				13.1			
95	29.4	31.5			20.6				12.7			
100	28.9	31.2			20.3				12.5			
115	27.7	30.1			19.6	20.5			11.9			
130	26.3	29.0			18.7	19.7			11.3	11.9		
140	25.5	28.2			18.2	19.1			10.9	11.5		
150	24.8	27.4	27.4		17.7	18.6			10.5	11.1		
160	24.0	26.8	25.2		17.3	18.2			10.1	10.7		
170	23.2	26.1	23.1		16.9	17.7	18.0		9.8	10.3		
180	22.5	24.9	21.3		16.5	17.3	17.7		9.4	10.0		
190	21.9	23.1	19.7		16.2	17.0	17.4		9.1	9.6	9.8	
200	21.0	21.5	18.3		15.8	16.7	16.8		8.8	9.3	9.6	
210	20.1	20.0	17.0	13.3	15.4	16.3	15.6		8.6	9.0	9.4	
220	18.4	18.7	15.8	12.3	15.1	16.0	14.4		8.3	8.8	9.2	
240			13.7	10.5	14.1	15.1	12.4	9.0	7.6	8.2	8.6	
260				9.0	12.7	13.2	10.6	7.6	7.0	7.5	8.1	5.3
280				7.7			9.2	6.3	6.5	7.0	7.3	4.1
300							7.9	5.2	6.0	6.5	6.5	3.1
320								4.3		6.0	5.4	2.2
350											3.9	

Carbody counterweight: 79,800 lbs

Rear counterweight:

159,400 lbs

181,400 lbs

TLT 13639070 / 296238. Above load charts are for reference only. For actual lift duty please refer to load chart in operator's cabin or manual. Otherwise we recommend you to plan your lifting job using Crane Planner 2.0.

Load capacities with luffing jib

Load capacities in 1000 lbs with 194 ft main boom [88/83/75/65°]

Radius [ft]	Jib length 66 ft				Jib length 95 ft				Jib length 115 ft			
	88°	83°	75°	65°	88°	83°	75°	65°	88°	83°	75°	65°
35	84.5											
40	81.1				66.8							
45	77.5				65.0				53.0			
50	74.7				63.5				53.0			
55	72.2	80.3			61.3				52.0			
60	69.9	77.0			59.5				51.2			
70	65.4	71.4			55.7	62.2			49.8	53.0		
80		67.0			52.7	58.4			46.9	52.2		
85		65.1			51.2	56.5			45.7	51.0		
90		63.5	56.3		49.9	54.9			44.6	49.9		
95		60.0	52.7		48.8	53.6			43.4	48.4		
100			49.5		48.0	52.0			42.3	47.1		
110			44.1			49.4	43.2		32.0	37.0	42.4	
115			41.8			47.2	40.9		40.0	43.7	40.2	
120			39.6			44.7	38.8		39.4	42.6	38.1	
140				25.9			32.0			36.5	31.4	
150				23.7			29.3				28.7	
160								23.8			26.5	21.1
170								21.8				
180								20.1			24.4	19.4
190								18.6				18.0
200												16.6
												15.4
Radius [ft]	Jib length 134 ft				Jib length 154 ft				Jib length 174 ft			
	88°	83°	75°	65°	88°	83°	75°	65°	88°	83°	75°	65°
45	49.0											
50	48.4				42.2							
60	46.3				40.9				35.8			
70	44.3				39.3				34.5			
80	42.4	46.3			37.5	40.6			33.4			
90	40.1	44.8			36.2	39.5			32.0	35.0		
100	38.3	43.2			34.4	38.1			31.1	33.8		
110	36.5	41.0			32.9	37.0			29.6	32.7		
120	34.8	39.3	37.5		31.6	35.5			28.4	31.8		
130	33.6	37.3	33.9		30.2	34.4	33.2		27.4	30.7		
140	32.7	35.7	30.9		29.0	32.8	30.2		26.3	29.9	29.6	
150		33.2	28.2		28.2	31.4	27.6		25.2	28.8	27.0	
160		30.5	26.0		27.4	30.1	25.4		24.4	27.6	24.8	
170			24.0	18.8		27.7	23.4		23.8	26.6	22.8	
180			22.2	17.4		25.7	21.6		23.2	25.3	21.1	
190			16.1	16.1			20.1	15.3		23.5	19.5	
200			14.9	14.9			18.6	14.2		21.1	18.2	13.6
210			13.8	13.8				13.1			16.9	12.5
220			12.8	12.8				12.2			15.7	11.6
230								11.3				10.8
240								10.5				10.0
255												8.9

Carbody counterweight: 79,800 lbs

Rear counterweight:

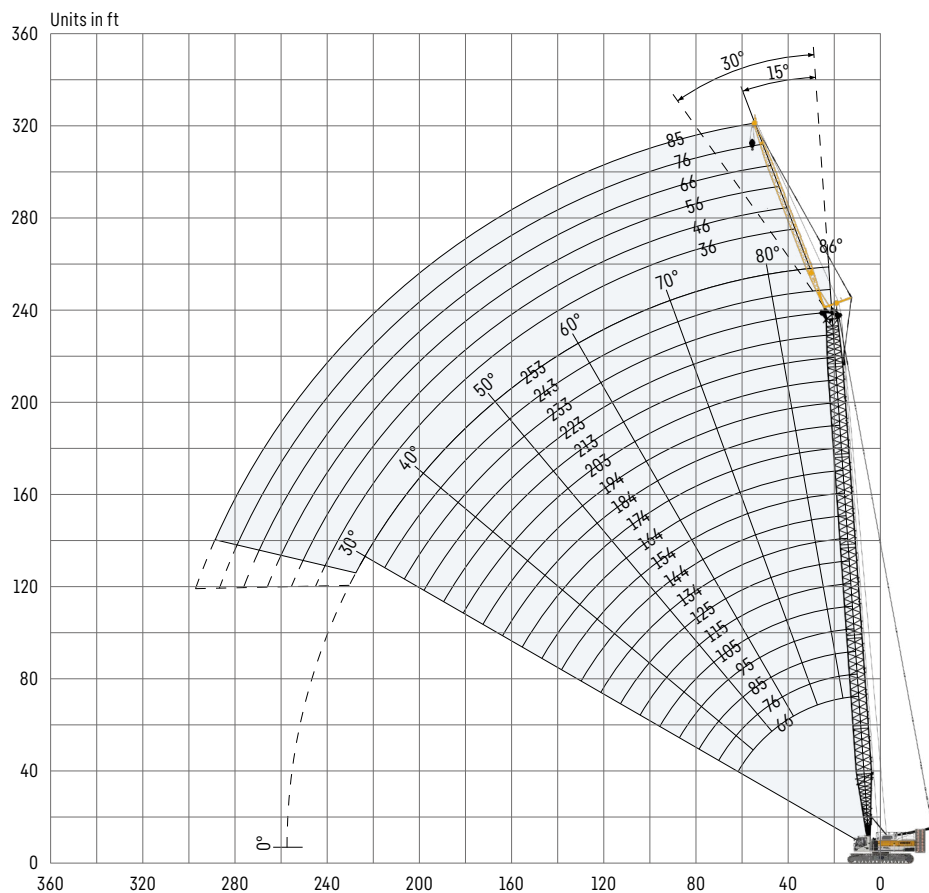
159,400 lbs

181,400 lbs

TLT 13639070 / 296238. Above load charts are for reference only. For actual lift duty please refer to load chart in operator's cabin or manual. Otherwise we recommend you to plan your lifting job using Crane Planner 2.0.

Fixed jib 1008.xx

Jib lengths 36-85 ft



Jib configuration 1008.xx

Jib section	Amount of jib sections					
Boom foot 18 ft	1	1	1	1	1	1
Jib section 10 ft		1		1		1
Jib section 20 ft			1	1	2	2
Jib head 18 ft	1	1	1	1	1	1
Jib length [ft]	36	46	56	66	76	85

Actual lengths of boom sections are metric (e.g. 3 m, 6 m). The figures shown above are approximate conversions to feet. For main boom configuration please refer to the table on page 20.

Load capacities with fixed jib

Load capacities in 1000 lbs with 66 ft main boom

	Jib length 36 ft		Jib length 46 ft		Jib length 66 ft		Jib length 76 ft		Jib length 85 ft	
	15°	30°	15°	30°	15°	30°	15°	30°	15°	30°
20	79.1									
30	79.1	79.1	79.1							
40	79.1	75.3	75.3	62.0	66.4		58.3		52.1	
50	79.1	65.5	69.3	55.1	58.1	41.3	52.0		47.8	
60	78.4	58.4	64.3	50.9	52.1	36.4	46.4	32.1	41.8	29.3
70	71.8	53.0	60.0	45.8	46.0	32.8	40.3	28.8	36.8	26.6
80	63.5	50.3	53.8	41.9	40.6	29.9	36.1	26.6	32.8	25.0
90	57.6	47.1	50.2	38.7	36.8	27.5	32.5	25.4	29.4	22.6
100	53.0	44.9	45.9	36.5	33.3	26.6	29.7	23.3	26.8	20.9
115					29.5	24.4	26.6	21.0	24.6	18.7
120					28.5	23.9	26.3	20.3	23.5	18.1
130						23.2	24.5	19.5	21.9	17.1
140								18.9	20.5	16.4
150										16.0

Load capacities in 1000 lbs with 115 ft main boom

	Jib length 36 ft		Jib length 46 ft		Jib length 66 ft		Jib length 76 ft		Jib length 85 ft	
	15°	30°	15°	30°	15°	30°	15°	30°	15°	30°
25	79.1									
40	79.1	79.1	78.9	63.2	67.3		57.9			
50	79.1	73.2	74.5	59.9	63.4	42.1	54.6		47.9	
60	79.1	67.0	70.4	54.5	56.9	38.4	49.9	33.3	45.1	28.7
70	79.1	61.7	67.1	52.1	53.0	35.4	46.3	30.7	40.7	27.2
80	71.7	57.4	63.4	48.5	48.2	33.0	41.6	28.4	37.3	26.6
90	61.2	53.8	60.2	45.2	44.2	30.8	38.2	26.6	34.0	24.7
100	53.1	52.8	53.7	42.5	40.5	29.1	35.2	26.2	31.6	23.1
110	46.6	47.2	47.2	40.4	37.6	27.4	32.6	24.7	29.1	21.7
120	41.3	41.7	41.8	38.5	35.2	26.6	30.6	23.2	27.1	20.5
140	32.9	33.1	33.4	33.7	31.0	25.0	26.9	21.1	25.0	18.5
160					28.0	23.7	25.4	19.6	22.2	17.0
170					25.5	23.3	24.1	19.3	21.2	16.4
190									19.8	16.1

Load capacities in 1000 lbs with 164 ft main boom

	Jib length 36 ft		Jib length 46 ft		Jib length 66 ft		Jib length 76 ft		Jib length 85 ft	
	15°	30°	15°	30°	15°	30°	15°	30°	15°	30°
25	79.1									
40	79.1	79.1	78.7	65.3	66.7		55.3			
50	79.1	78.2	76.7	62.7	64.1	41.7	53.1		46.7	
70	79.1	67.5	71.6	55.4	56.6	37.8	47.8	31.5	42.4	27.9
80	70.0	63.1	68.6	53.0	53.0	35.4	45.5	29.8	39.7	26.6
100	51.4	52.4	52.0	48.6	46.9	31.8	39.2	26.7	34.7	24.4
110	44.8	45.6	45.4	45.7	43.9	30.4	37.0	26.6	32.5	23.2
130	34.9	35.5	35.4	36.2	36.4	27.9	32.6	24.4	28.8	21.0
150	27.8	28.2	28.3	28.8	29.2	26.6	29.5	22.3	26.6	19.3
170	22.5	22.7	22.9	23.2	23.7	24.4	24.1	20.9	24.4	18.0
190			18.6	18.8	19.4	19.9	19.8	19.7	20.1	16.9
210					15.9	16.1	16.3	16.6	16.6	16.2
220							14.8	15.0	15.0	15.4
235										13.1

Carbody counterweight: 79,800 lbs

Rear counterweight:

159,400 lbs

181,400 lbs

TLT 13639070 / 296238. Above load charts are for reference only. For actual lift duty please refer to load chart in operator's cabin or manual. Otherwise we recommend you to plan your lifting job using Crane Planner 2.0.

Load capacities with fixed jib

Load capacities in 1000 lbs with 213 ft main boom

	Jib length 36 ft		Jib length 46 ft		Jib length 66 ft		Jib length 76 ft		Jib length 85 ft	
	15°	30°	15°	30°	15°	30°	15°	30°	15°	30°
25	79.1									
45	79.1	79.1	74.0	62.6	58.6		49.9		43.8	
65	79.1	72.1	70.8	57.5	55.6	38.9	47.3	32.8	41.7	28.4
80	68.5	67.1	67.5	53.0	51.9	36.0	45.0	30.3	39.5	26.6
100	49.8	51.0	50.5	48.6	47.5	32.8	42.1	27.7	37.1	25.3
120	37.8	38.7	38.3	39.5	39.4	30.1	37.4	26.6	32.9	23.3
140	29.4	30.1	29.9	30.8	30.9	28.2	31.4	25.0	29.9	21.4
160	23.3	23.8	23.7	24.4	24.6	25.6	25.1	23.2	25.4	20.0
180	18.6	19.0	19.0	19.5	19.8	20.6	20.2	21.1	20.5	18.8
200	14.8	15.1	15.2	15.5	15.9	16.6	16.3	17.1	16.6	17.5
220	11.7	11.9	12.1	12.3	12.8	13.3	13.2	13.7	13.4	14.1
240				9.6	10.2	10.5	10.5	10.9	10.8	11.3
260							8.3	8.5	8.5	8.8
275									7.0	7.1

Load capacities in 1000 lbs with 243 ft main boom

	Jib length 36 ft		Jib length 46 ft		Jib length 56 ft		Jib length 66 ft		Jib length 76 ft	
	15°	30°	15°	30°	15°	30°	15°	30°	15°	30°
30	74.7		68.1							
60	66.6	63.9	62.2	54.9	57.3	47.1	51.1	40.7	44.7	33.0
75	63.3	59.5	58.2	51.8	53.4	43.8	48.6	37.6	43.2	31.3
90	56.8	55.8	54.6	48.6	50.3	41.0	45.9	35.3	41.1	29.4
110	42.1	43.2	42.7	44.2	43.4	38.0	42.1	32.8	38.3	27.0
130	32.1	33.0	32.6	33.8	33.2	34.6	33.7	30.3	34.3	26.2
150	24.9	25.7	25.4	26.4	26.0	27.1	26.4	27.7	26.9	24.5
170	19.6	20.1	20.0	20.7	20.5	21.4	20.9	22.0	21.3	22.6
200	13.6	14.0	14.0	14.5	14.4	15.1	14.8	15.5	15.2	16.1
220	10.5	10.8	10.9	11.2	11.3	11.8	11.6	12.2	12.0	12.7
230	9.2	9.4	9.5	9.9	10.0	10.4	10.3	10.8	10.6	11.3
250	6.9	7.0	7.2	7.4	7.6	7.8	7.8	8.2	8.2	8.7
270					5.5	5.6	5.8	6.0	6.1	6.4
295										4.0

Carbody counterweight: 79,800 lbs

Rear counterweight:

159,400 lbs

181,400 lbs



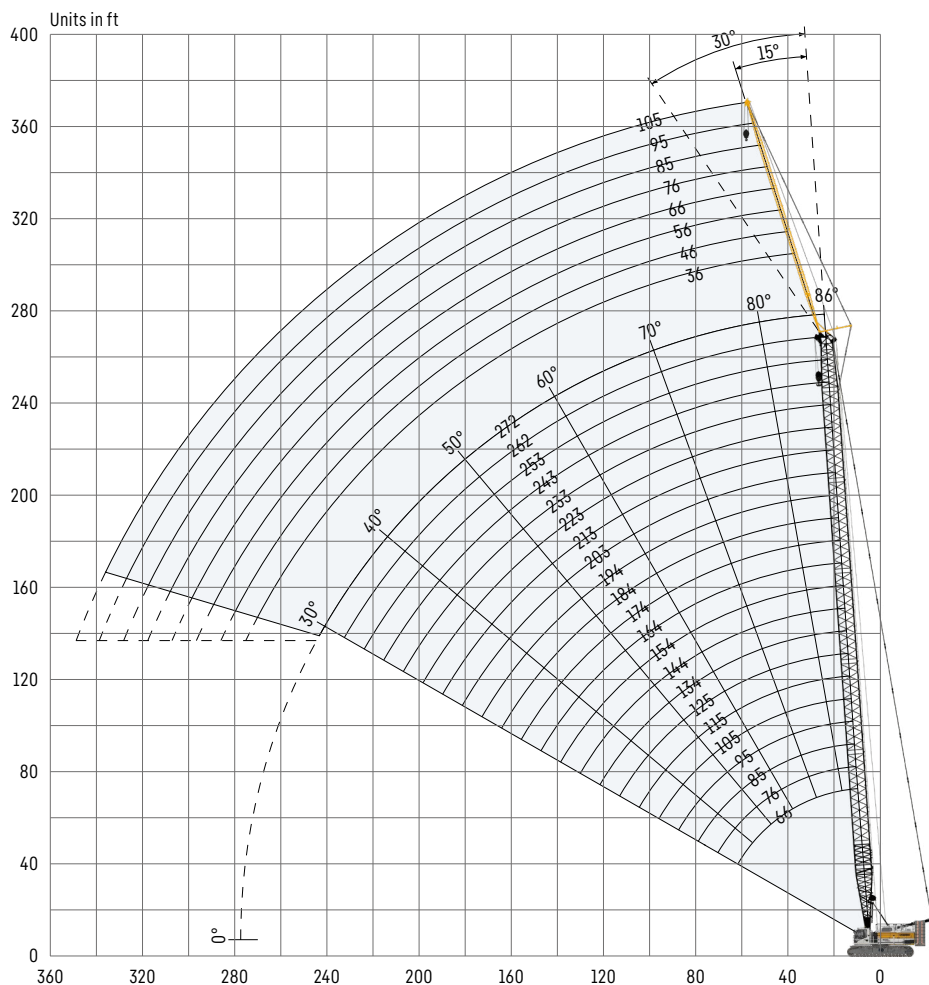
TLT 13639070 / 296238. Above load charts are for reference only. For actual lift duty please refer to load chart in operator's cabin or manual. Otherwise we recommend you to plan your lifting job using Crane Planner 2.0.

 **Crane Planner 2.0**

www.liebherr.com/CranePlanner

Fixed jib 0806.xx

Jib lengths 36-105 ft



Jib configuration 0806.xx

Jib section	Amount of jib sections							
Jib foot 18 ft	1	1	1	1	1	1	1	1
Jib section 10 ft		1		1		1		1
Jib section 20 ft			1	1	2	2	3	3
Jib head 18 ft	1	1	1	1	1	1	1	1
Jib length [ft]	36	46	56	66	76	85	95	105

Actual lengths of boom sections are metric (e.g. 3 m, 6 m). The figures shown above are approximate conversions to feet. For main boom configuration please refer to the table on page 20.

Load capacities with fixed jib

Load capacities in 1000 lbs with 66 ft main boom

	Jib length 36 ft		Jib length 66 ft		Jib length 76 ft		Jib length 85 ft		Jib length 105 ft	
	15°	30°	15°	30°	15°	30°	15°	30°	15°	30°
20	52.6									
30	47.7									
40	43.8	39.4	23.3		21.6		17.2			
50	41.4	37.5	21.8	19.4	20.3		16.1		11.9	
60	38.9	36.0	20.3	18.3	19.3	17.7	15.0	13.9	11.1	
70	37.0	34.7	19.2	17.7	18.3	16.9	14.2	13.3	10.3	
80	35.5	31.8	18.0	17.3	17.4	16.2	13.5	12.7	9.7	9.0
90	33.6	29.7	17.3	16.4	16.6	15.6	12.8	12.3	9.2	8.5
100	24.2	28.2	16.8	15.8	15.9	14.9	12.4	11.9	8.7	8.1
115			16.1	15.1	15.1	13.7	11.7	11.5	8.1	7.7
130				14.7	13.9	12.9	11.2	11.1	7.6	7.3
145							11.0	10.7	7.2	7.0
160									6.9	6.9
175										6.9

Load capacities in 1000 lbs with 115 ft main boom

	Jib length 36 ft		Jib length 66 ft		Jib length 76 ft		Jib length 85 ft		Jib length 105 ft	
	15°	30°	15°	30°	15°	30°	15°	30°	15°	30°
25	50.3									
40	46.9	41.1	23.7		21.2					
50	45.0	39.6	22.6	19.5	20.4		16.3		11.8	
65	42.3	37.6	21.1	18.4	19.3	17.5	15.1	13.6	10.9	
80	39.7	35.9	19.7	17.5	18.3	16.8	14.1	13.0	10.0	9.0
90	38.4	34.9	18.9	17.3	17.8	16.3	13.5	12.7	9.6	8.7
110	36.0	31.6	17.5	16.4	16.6	15.4	12.6	12.1	8.9	8.1
120	34.9	30.2	17.1	15.9	16.2	14.9	12.3	11.8	8.5	7.8
140	32.1	28.4	16.5	15.4	15.3	13.9	11.7	11.5	7.9	7.5
160			15.8	15.0	14.4	13.0	11.2	11.1	7.4	7.2
180					13.3	12.6	11.0	10.8	7.1	7.0
190							10.9	10.6	7.0	6.9
200									6.9	6.9
205									6.8	6.9

Load capacities in 1000 lbs with 164 ft main boom

	Jib length 36 ft		Jib length 66 ft		Jib length 76 ft		Jib length 85 ft		Jib length 105 ft	
	15°	30°	15°	30°	15°	30°	15°	30°	15°	30°
25	45.5									
40	43.9	39.0	23.4		19.1					
50	42.3	38.4	22.6	19.3	18.6		15.2			
70	40.3	37.5	20.9	18.3	17.7	16.6	14.2	13.2	10.2	
80	39.5	36.9	20.2	17.8	17.3	16.4	13.9	12.8	9.9	8.8
100	38.0	35.5	19.1	17.0	16.6	15.9	13.1	12.3	9.3	8.3
110	37.4	34.8	18.5	16.8	16.3	15.7	12.8	12.1	8.9	8.1
130	36.3	32.7	17.5	16.3	15.7	15.2	12.2	11.8	8.4	7.7
150	29.2	29.6	16.7	15.9	15.3	14.6	11.7	11.4	7.9	7.4
170	23.9	24.1	16.1	15.4	14.9	13.7	11.3	11.2	7.5	7.2
190			15.8	15.1	14.4	13.0	10.9	11.0	7.2	7.1
210			15.4	14.8	13.7	12.7	10.8	10.8	6.9	6.9
225						12.5	10.7	10.7	6.8	6.9
255										6.9

Carbody counterweight: 79,800 lbs

Rear counterweight:

137,300 lbs

159,400 lbs

181,400 lbs

TLT 13639070 / 296238. Above load charts are for reference only. For actual lift duty please refer to load chart in operator's cabin or manual. Otherwise we recommend you to plan your lifting job using Crane Planner 2.0.

Load capacities with fixed jib

Load capacities in 1000 lbs with 213 ft main boom

Radius [ft]	Jib length 36 ft		Jib length 66 ft		Jib length 76 ft		Jib length 85 ft		Jib length 105 ft	
	15°	30°	15°	30°	15°	30°	15°	30°	15°	30°
25	39.9									
45	38.4	35.6	21.0		16.7		13.5			
65	37.2	35	20.3	18.3	16.1	15.3	12.9	12.2	9.2	
80	36.4	34.7	19.7	17.8	15.6	15.1	12.6	12	9	8.5
100	35.5	34.3	19.0	17.3	15.2	14.9	12.2	11.7	8.7	8.3
120	34.7	33.9	18.5	16.7	14.8	14.7	11.8	11.6	8.4	8
140	27.4	28.1	17.6	16.3	14.4	14.6	11.5	11.5	8.2	7.8
160	21.8	22.3	17.0	15.9	14.1	14.4	11.2	11.3	7.9	7.5
180	17.4	17.8	16.5	15.6	13.9	14.3	11	11.1	7.6	7.3
200	13.9	14.2	15.3	15.5	13.8	13.7	10.8	11	7.4	7.2
220	11.1	11.3	12.5	12.9	12.9	13.2	10.6	10.9	7.1	7.1
240			10.0	10.3	10.5	10.8	10.5	10.8	6.9	7.1
265					7.9	8.1	8.3	8.5	6.8	7.1
295									6.3	6.5

Load capacities in 1000 lbs with 272 ft main boom

Radius [ft]	Jib length 36 ft		Jib length 46 ft		Jib length 56 ft		Jib length 66 ft		Jib length 76 ft	
	15°	30°	15°	30°	15°	30°	15°	30°	15°	30°
30	29.8									
60	27.9	27.2	22.2	21.8	17.3	17.3	14.7	14.9	11.9	12.1
75	27.2	26.8	21.6	21.5	17.0	17.1	14.5	14.8	11.7	12.0
90	26.7	26.5	21.2	21.3	16.8	16.9	14.3	14.7	11.6	12.0
110	26.0	26.1	20.7	21.2	16.4	16.7	14.1	14.7	11.5	11.9
130	25.1	25.6	20.4	21.2	16.2	16.6	13.9	14.7	11.3	11.8
150	23.8	23.7	20.1	20.9	15.9	16.6	13.8	14.7	11.2	11.7
170	19.9	20.6	19.8	20.7	15.8	16.6	13.6	14.7	11.1	11.7
200	14.0	14.5	14.5	15.1	14.6	15.7	13.2	14.7	11.0	11.7
220	10.9	11.3	11.4	11.9	11.9	12.5	12.3	13.1	10.8	11.5
240	8.4	8.7	8.9	9.2	9.4	9.8	9.8	10.4	10.2	10.9
260	6.2	6.5	6.7	7.0	7.2	7.5	7.6	8.0	8.0	8.5
280		4.5	4.8	5.0	5.3	5.5	5.7	6.0	6.1	6.5
310								3.4	3.6	3.8

Carbody counterweight: 79,800 lbs

Rear counterweight:

137,300 lbs

159,400 lbs

181,400 lbs

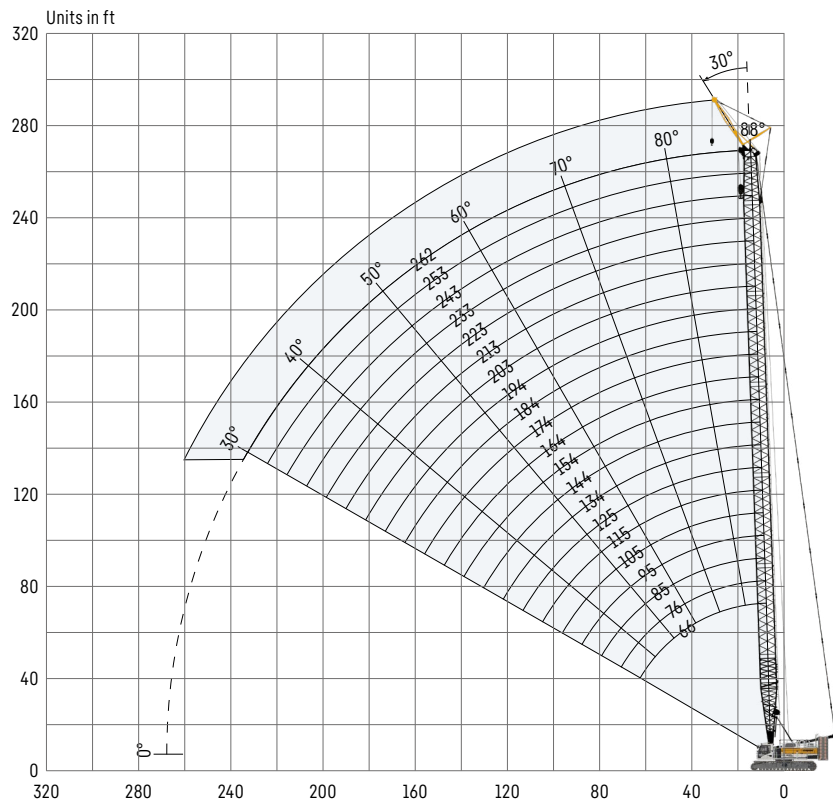


TLT 13639070 / 296238. Above load charts are for reference only. For actual lift duty please refer to load chart in operator's cabin or manual. Otherwise we recommend you to plan your lifting job using Crane Planner 2.0.



Fixed jib 0906.21

Jib length 23 ft



The jib length is 23 ft, for main boom configuration please refer to the table on page 20.

Load capacities with fixed jib

Load capacities in 1000 lbs – 66 ft main boom

Radius [ft]	Jib length 23 ft
25	143.7
30	138.9
35	134.2
40	130.7
45	128
50	124.6
55	119.2
60	106.1
65	95.4
70	86.4
75	78.8
80	72.3
85	66.5

Load capacities in 1000 lbs – 115 ft main boom

Radius [ft]	Jib length 23 ft
30	134.9
40	125.5
45	121.4
50	118.0
60	105.2
70	85.5
80	71.4
90	60.8
100	52.7
105	49.2
110	46.0
120	40.5
125	38.0
130	35.8

Load capacities in 1000 lbs – 164 ft main boom

Radius [ft]	Jib length 23 ft
30	121.2
40	115.0
50	109.5
60	104.1
70	84.2
80	70.0
90	59.3
100	51.2
110	44.5
120	39.0
130	34.4
140	30.5
150	27.2
170	21.7

Load capacities in 1000 lbs – 213 ft main boom

Radius [ft]	Jib length 23 ft
30	97.3
50	89.0
60	84.5
80	68.7
90	58.0
100	49.8
110	43.1
120	37.6
130	33.0
150	25.8
160	22.8
180	18.0
200	14.2
215	11.7

Load capacities in 1000 lbs – 253 ft main boom

Radius [ft]	Jib length 23 ft
35	66.9
50	64.3
70	59.7
80	57.3
90	54.8
100	48.2
120	35.9
140	27.3
160	21.1
180	16.2
200	12.4
220	9.3
240	6.6
265	4.9

Carbody counterweight: 79,800 lbs

Rear counterweight:

159,400 lbs

181,400 lbs



TLT 13639070 / 296238. Above load charts are for reference only. For actual lift duty please refer to load chart in operator's cabin or manual. Otherwise we recommend you to plan your lifting job using Crane Planner 2.0.

 **Crane Planner 2.0**

www.liebherr.com/CranePlanner



Download datasheet



Please contact us.

Liebherr-Werk Nenzing GmbH · Dr. Hans Liebherr Str. 1 · 6710 Nenzing, Austria
Phone +43 50809 41-473 · crawler.crane@liebherr.com · www.liebherr.com
facebook.com/LiebherrConstruction

Liebherr USA, Co. · 7075 Bennington Street · Houston, TX 77028-5812
Phone (713) 636-4050 · crawler.cranes.usa@liebherr.com · www.liebherr.com
facebook.com/LiebherrConstruction