

EN-US



---

# LR 1160.1

# unplugged

---

LR 1103.04.08  
[www.liebherr.com](http://www.liebherr.com)

## LIEBHERR

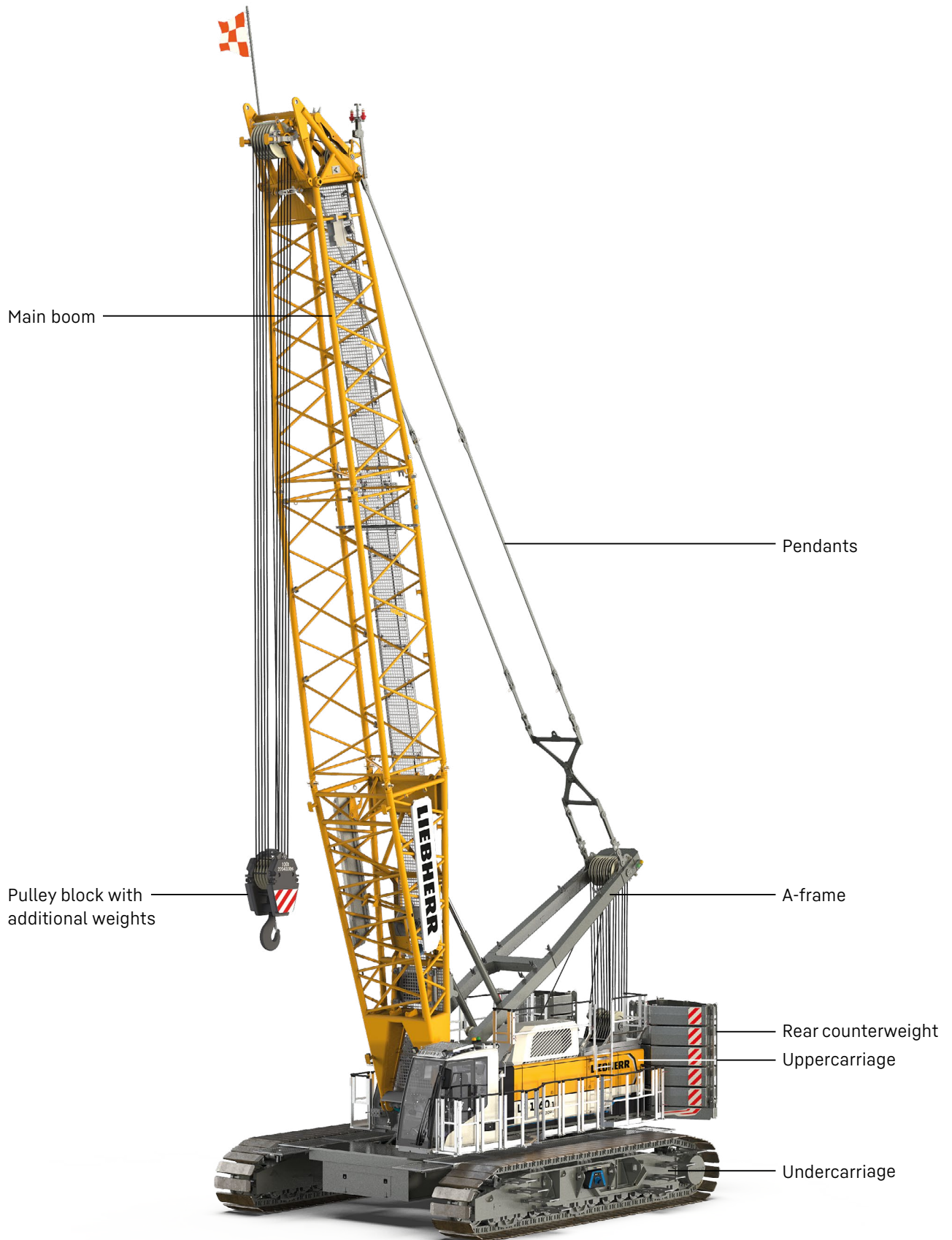
Crawler cranes

<b>Concept and characteristics</b> .....	3
<b>Technical description</b> .....	8
<b>Dimensions</b> .....	10
<b>Transport dimensions and weights</b> .....	11
<b>Self-assembly system</b> .....	16
<b>Boom combinations</b> .....	18
<b>Main boom 2018.xx</b> .....	20
<b>Luffing jib 1309.xx</b> .....	22
<b>Luffing jib 1713.xx</b> .....	28
<b>Fixed jib 1008.xx</b> .....	34
<b>Fixed jib 0806.xx</b> .....	37

## Remarks

- The load capacities stated are valid for lifting operation only (corresponding with crane classification according to ISO 4301-1, crane group A1).
- Machine is standing on firm, horizontal ground.
- The weight of the lifting device (pulley block, hoist ropes, shackles, etc.) must be deducted from the load capacity.
- Additional equipment on boom (e.g. walkways) must be deducted from the load capacity.
- The max. admissible wind speed can be preselected in the LML software and referred to in the load chart.
- Working radii are measured from centre of swing ring and under load.
- The lifting capacities are valid for 360 degrees of swing.
- Calculation of stability under load is based on ANSI/ASME B 30.5 load ratings as well as ISO 4305 Table 2 and tested according to SAE J765 and SAE J987.
- Weights may vary depending on the delivered configuration of the machine, filling level of the tanks, as well as generally valid tolerances.
- The illustrations in this brochure may include options which are not within the standard scope of supply of the machine.
- Subject to technical change without notice.

# Concept and characteristics



Cabin with high comfort  
- optimized view  
- noise-reducing design  
- orthopaedic seat

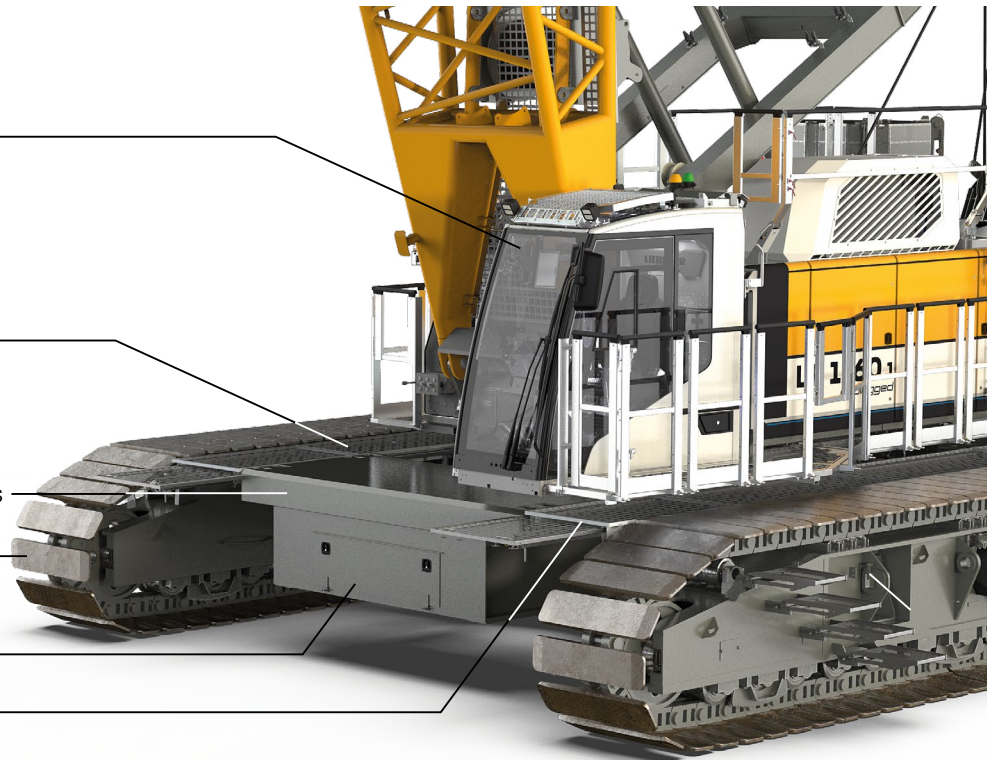
Additional  
safety platform

Carbody counterweight 22,000 lbs

Crawler side frames with  
3'3" flat track pads

Storage compartment for tools

Platforms



### High performance

A powerful, efficient and reliable electro-hydraulic drive system combined with a high-performance lithium-ion battery ensures high productivity and allows for several movements to be carried out simultaneously.

### Ground pressure

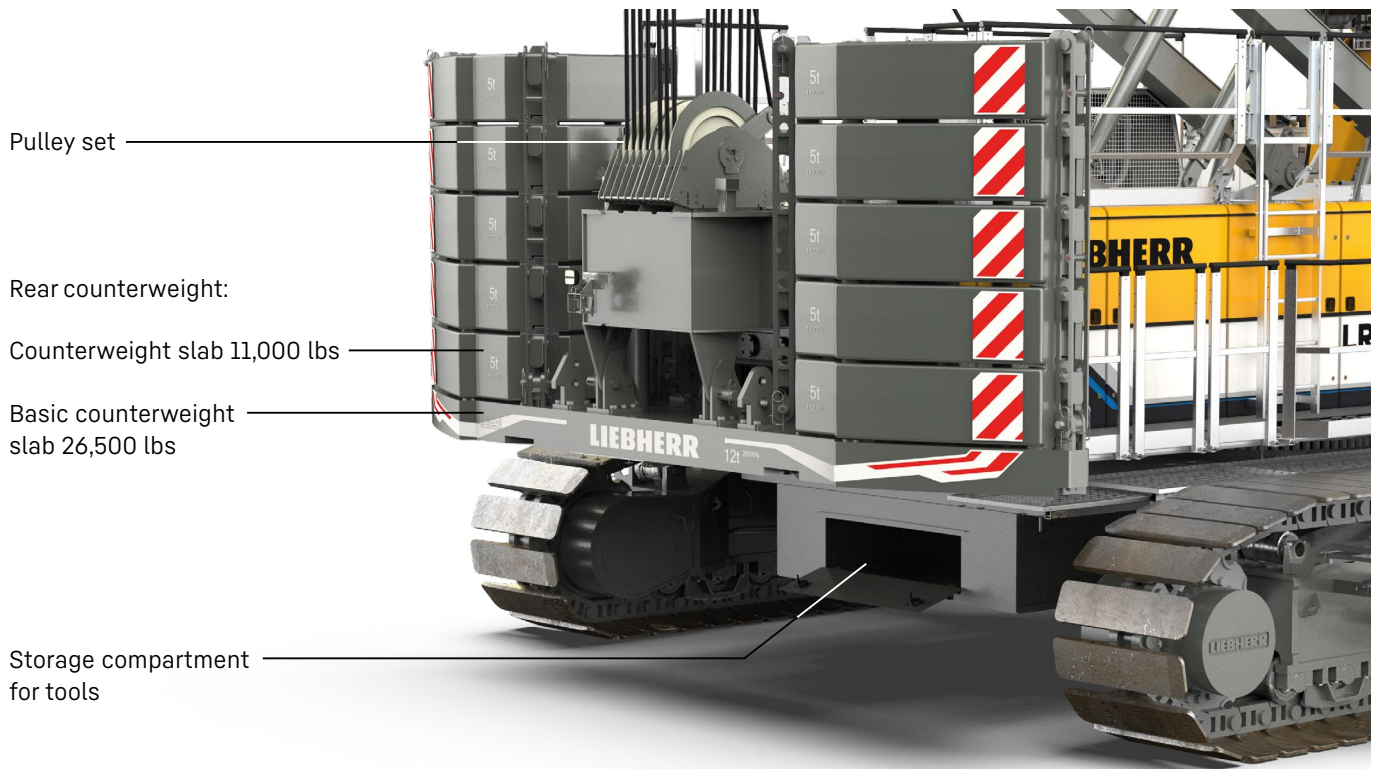
The actual ground pressure is calculated according to the configuration and position of the machine and displayed in the operator's cabin. Using the optional Liebherr Crane-Planner the actual ground pressure can already be calculated and displayed in the planning stage.

### Cabin with high comfort

Optimised field of vision combined with enhanced comfort: an orthopaedic operator's seat with heating and cooling functions, as well as precise and ergonomic controls are included.

### Control system

Easy and intuitive handling of control, service and machine functions through a large, clear colour monitor. Built for extreme environmental conditions.



**Efficient self-assembly system and short assembly times**

The self-assembly system enables safe, independent and quick assembly/disassembly of the crawler side frames, the carbody and rear counterweights, as well as boom elements.

**Easy service**

The design ensures easy maintenance and service as well as safe access to the components.

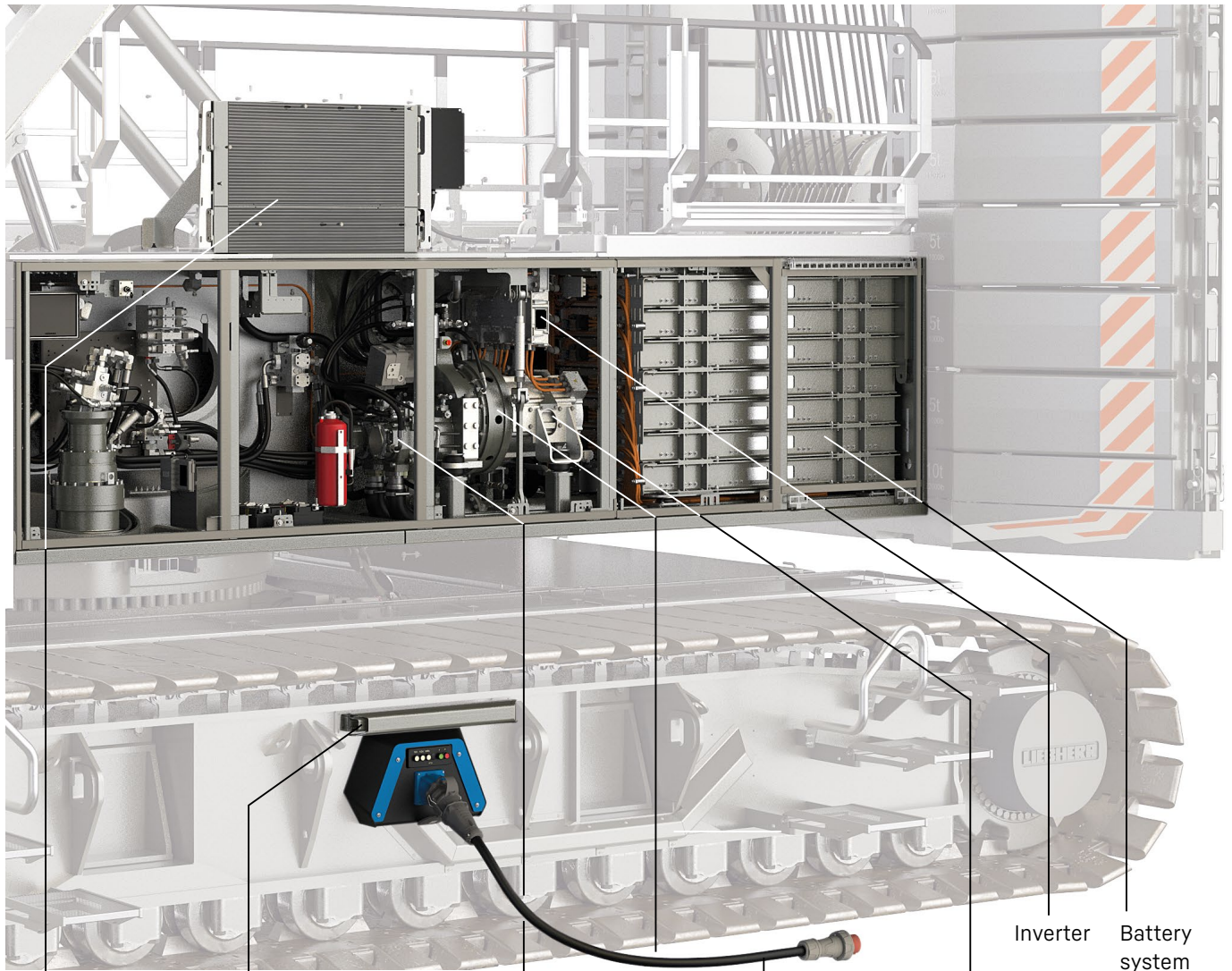
**Mobility**

Crane parts are optimized for transportation. The maximum transport width is 9.84 ft.

**Boom/jib**

A variety of boom systems and configurations allow for optimum operation on the most diverse jobsites.

Exemplifying illustration



Combination cooler with expansion tank

Cantilever for electric cable

Hydraulic pumps

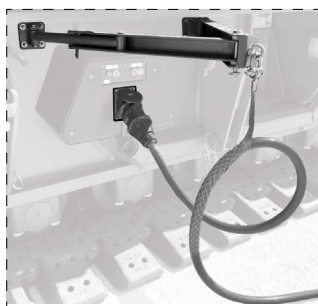
Distribution gearbox

Charging cable (not included in scope of supply)

Electric engine

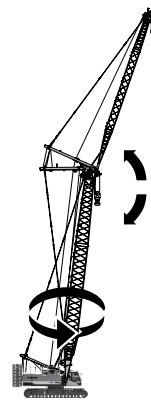
Inverter

Battery system

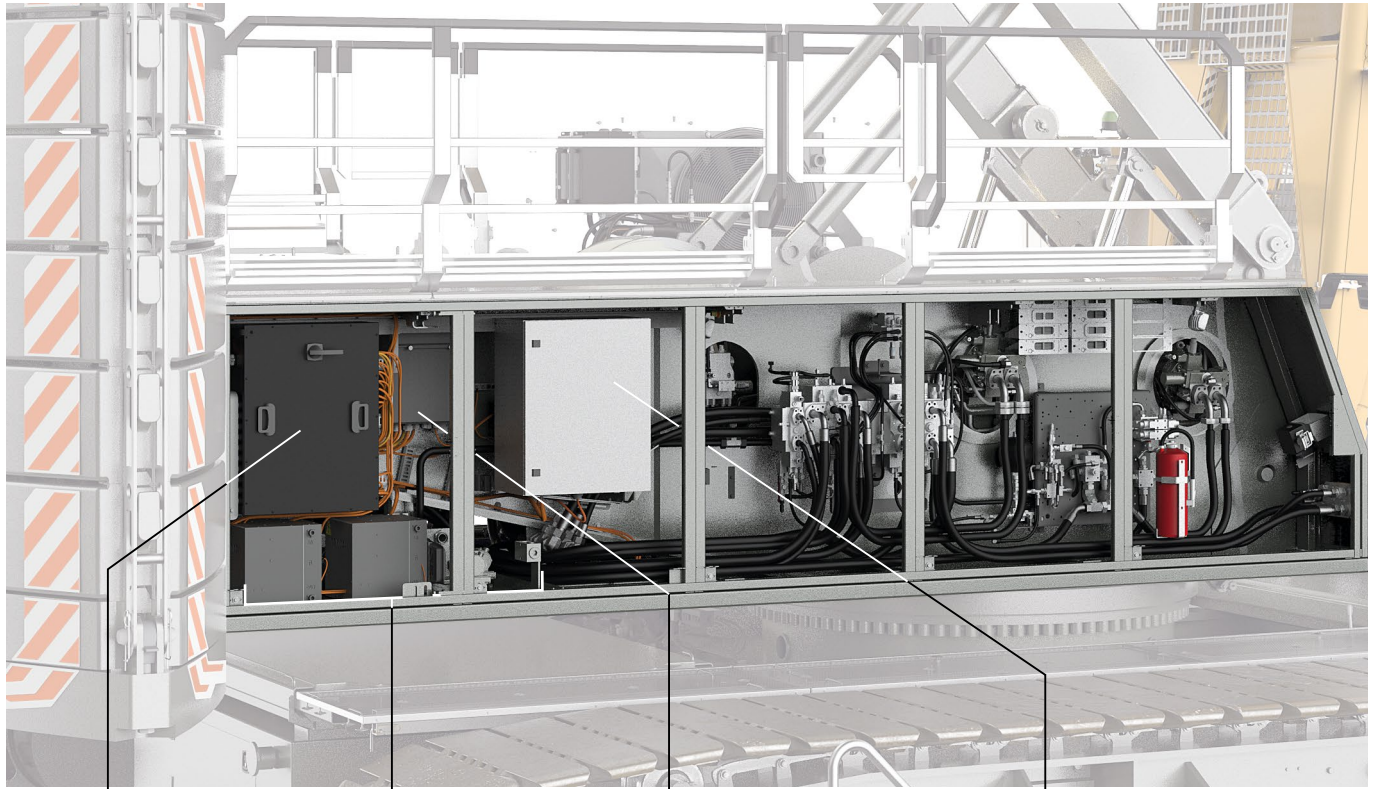


**Performance “plugged in”**

The crane’s performance in “plugged” operation is in no way inferior to its diesel-driven performance. The machine can be used without limitations as the battery charges continuously when connected and so delivers sufficient energy at all times.



**Exemplifying illustration**



Switch cabinet 700 VDC (Direct Current)

Thermal management system

Switch cabinet 400 VAC (Alternating Current)

Switch cabinet 24 V LVDU (Low Voltage Distribution Unit)

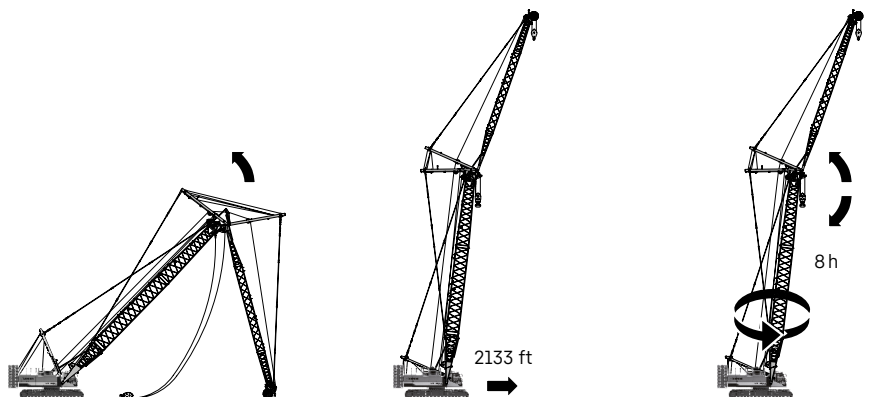
**Performance “unplugged”**

The crane’s performance<sup>(1)</sup> in “unplugged” operation allows for erecting the boom and jib, for travelling a distance of approx. 2133 ft<sup>(2)</sup> with full counterweight or for approx. 8 hours<sup>(3)</sup> of crane operation.

<sup>1</sup> Battery service life can be optimized by operating the crane in “plugged-in” operation as often as possible.

<sup>2</sup> Fully ballasted on even terrain at 10-25 °C ambient temperature

<sup>3</sup> With an observation period of 10,000 shifts, in 50 % of all shifts the crane can operate in “unplugged” mode for approx. 8 hours at an ambient temperature of 10-25 °C.



# Technical description



## Drive system

Max. drive power	255 kW (45 °C temperature of cooling water)
Battery type	High Performance Battery System
Technology	Li-ion NMC (nickel manganese cobalt)
Max. charging power	20 kW @ 30 A 40 kW @ 60 A
Option	80 kW @ 100 A
Mains voltage	400-480 VAC (3 phase + N + PE / 3 phase + PE)



## Noise measurement data and vibration

Noise emission	according to 2000/14/EC directive	
Emission sound pressure level $L_{pA}$	n.a. dB(A)	(in the cabin)
Guaranteed sound power level $L_{WA}$	n.a. dB(A)	(of the machine)
Vibration transmitted to the machine operator	< 8.20 ft/s <sup>2</sup>	(to the hand-arm system)
	< 1.64 ft/s <sup>2</sup>	(to the whole body)



## Hydraulic system

Hydraulic pumps	double axial displacement pump in open loop hydraulic system allows all functions to be operated simultaneously automatic working pressure cut-off to minimize peak pressure
Hydraulic oil tank capacity	172 gal
Max. working pressure	5,076 PSI
Hydraulic oil	electronic monitoring of all filters use of synthetic environmentally friendly oil possible



## Control

Control system	includes all control and monitoring functions, designed to withstand extreme environmental conditions and heavy construction tasks
Display	high resolution monitor in the operator's cabin, clear display of complete machine operating data, warnings and failure indications in the required language
Operation	several movements can be performed simultaneously thanks to electro-hydraulic proportional control, all categories of loads can be positioned with utmost precision



## Crawlers

Drive system	with fixed axial piston hydraulic motors
Crawler side frames	maintenance-free, with hydraulic chain tensioning device
Brake	hydraulically released, spring-loaded multi-disc holding brake
Drive speed	0-0.808 mph
Flat track pads	width 3.3 ft



## Swing gear

Drive system	with fixed axial piston hydraulic motors, planetary gearbox, pinion
Swing ring	roller bearing with external teeth
Brake	hydraulically released, spring-loaded multi-disc holding brake
Swing speed	0-1.8 rpm continuously variable
Speed control	both swing modes are possible - speed control or free swing for speed control: a multi-disc holding brake locks automatically at zero swing motion.



## Hoisting gear

Standard crane winches 1+2	Internal low-maintenance planetary gearbox in oil bath, load support by the hydraulic system, spring-loaded, multi-disc holding brake, pressure controlled, variable flow hydraulic motors for the main winches, full utilisation of engine power as the winch speed is automatically adjusted to suit the respective line pull
Line pull in the 7 <sup>th</sup> layer	26,977 lbf
Rope diameter	26 mm
Drum diameter	1.9 ft
Rope speed	0-446 ft/min
Rope capacity in 7 layers	1604 ft
Option - winch with free fall	free fall: clutch and braking functions are provided by the service brake (low wear and maintenance-free multi-disc brake in compact design)



## Boom/jib luffing winches

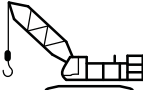




Main boom	
Line pull	max. 40,466 lbf
Rope diameter	24 mm
Boom luffing	15-86° in 119 s
Jib	
Line pull	max. 23,605 lbf
Rope diameter	20 mm
Boom luffing	15-78° in 46 s

## Operating weight

Composition of operating weight	basic machine with crawlers winches 1+2, A-frame 56 ft main boom, consisting of boom foot (23 ft), boom head (23 ft) and boom section (20 ft) 137,300 lbs rear counterweight (10×11,000 lbs + 1×26,500 lbs + 660 lbs) 44,100 lbs carbody counterweight (2×22,000 lbs) 352,700 lbs pulley block
Total weight	approx. 370,377 lbs



## Operation modes

	 Lifting mode	 Grab mode	 Personnel lifting mode
 Land	✓	✓	✓
 Floating structure (barge operation)	✓	✓	✓*

\* only valid for jack-up barges

## Optional equipment

### Basic machine

Main winches with free fall  
 Painting in customer design  
 Load hook 27,560 / 88,100 / 176,300 / 220,400 / 352,700 lbs  
 Charging power 80 kW (125 A / 400 VAC)  
 Additional battery package (33 kWh)

### Boom/jib

Luffing jib: luffing winch

### Boom/jib other

Walkway for main boom foot, incl. fall protection  
 Walkway for main boom head, incl. fall protection  
 Rope guide for main boom walkway, incl. fall protection  
 Additional fall protection harness for 1 person  
 Walkways for main boom sections 10 / 20 / 40 ft  
 Walkways for main boom sections 10 / 20 / 40 ft, incl. fall protection

### Application packages

Operation mode: personnel lifting (O)  
 Operation mode: barge operation (O)  
 Operation mode: foundation work (O)  
 Operation mode: wind speed pre-selection (S)  
 Operation mode: travelling with load (S)

### Winch synchronization

Radio remote control  
 Rope reeving function via radio remote control  
 Assembly radio remote control  
 Use of luffing jib winch as auxiliary winch  
 Tagline winch 4,409 lbf free fall  
 Main winch constant tension for one winch  
 Two hook operation

### Special features

Crane Planner 2.0  
 LiDAT

### Self-assembly system

Jack-up system standard / telescopic  
 Self-assembly system counterweight  
 Self-assembly cylinder  
 Reeving winch  
 Track shifting hydraulic

### Service package

Cold package -25 °C  
 Hydraulic oil bypass filter  
 Central lubrication swing ring bearings / outside  
 Liebherr hydraulic oil plus (longlife & bio)  
 Liebherr hydraulic oil plus arctic (longlife & bio)  
 Liebherr hydraulic oil plus arctic (longlife)

### Safety features

Assistance system: Boom Up-and-Down Assistant  
 Assistance system: Horizontal Load Path  
 Assistance system: Vertical Line Finder  
 Assistance system: Ground Pressure Indication and Visualization  
 Rear and side view cameras  
 Winch camera  
 Zoom camera at boom head  
 Safety upgrade APAVE  
 Platforms and railings on uppercarriage 1.9 ft  
 Additional access ladder for boom assembly  
 Railings on rooftop foldable  
 Railings for cabin platform  
 Vandalism cabin protection  
 Cabin protection roof, FOPS level 1  
 Lifting height indication for both hoist winches  
 Plug&Play diesel-hydraulic back-up unit 18.4 kW  
 Swing and boom radius limit device  
 Aircraft warning light  
 Swing warning light  
 Lightning rod  
 Mechanical angle display  
 Access control

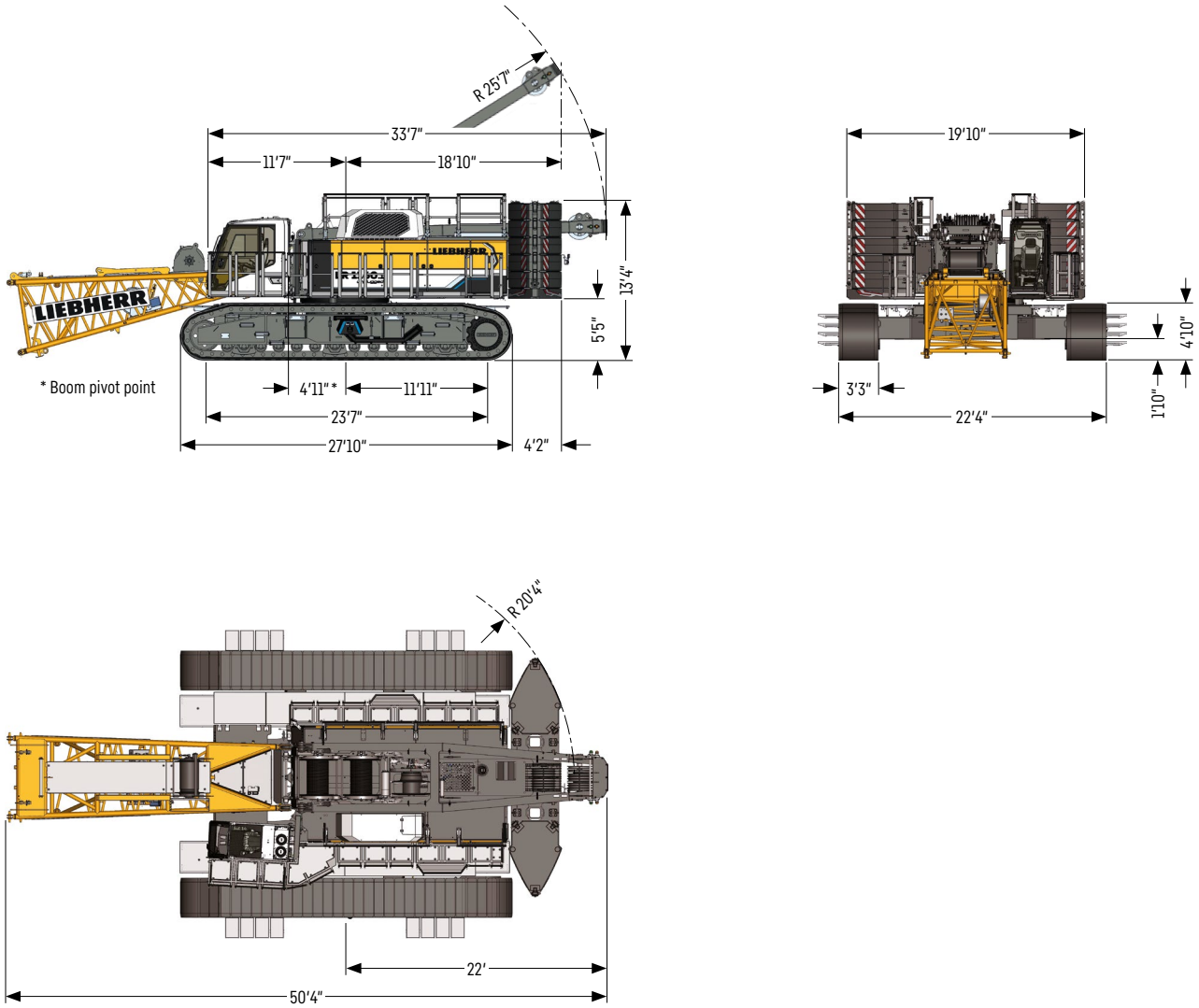
### Operator's comfort

Additional access ladder  
 Additional floodlights  
 Cabin air conditioner  
 Cabin tilting device hydraulic  
 Gear oil level warning  
 Litronic additional language

(S) standard, (O) option

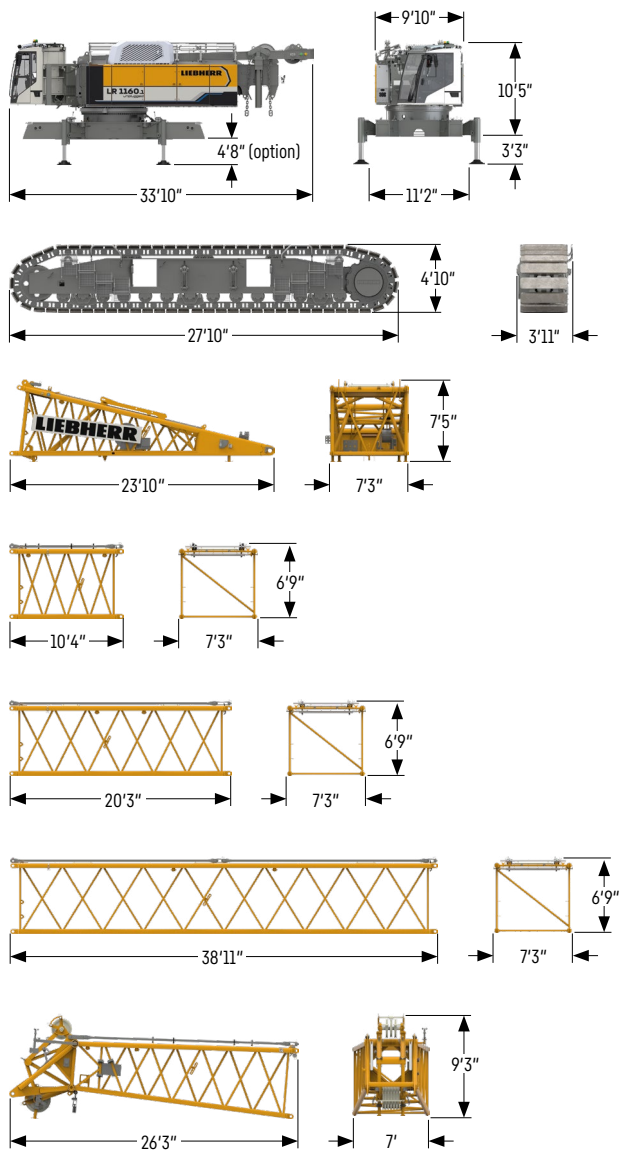
# Dimensions

## Basic machine with undercarriage



# Transport dimensions and weights

## Basic machine and main boom 2018.xx



### Basic machine

Weight without hoist rope	lbs	82,673
Weight of hoist ropes	lbs/ft	2.28
with A-frame 1, winches 1 + 2 (2x 26,977 lbf), without boom foot, without rear counterweight, without carbody counterweight and crawler side frames		

### Crawler side frame

Weight flat track pads 3.3 ft	lbs	38,576
-------------------------------	-----	--------

### Boom foot 23 ft (No. 2018.23)

Weight including winch	lbs	8,966
Weight without winch	lbs	5,919

### Boom section 10 ft (No. 2018.20)

Weight including boom pendants	lbs	1,559
Weight including boom and jib pendants	lbs	1,700

### Boom section 20 ft (No. 2018.20)

Weight including boom pendants	lbs	2,229
Weight including boom and jib pendants	lbs	2,471

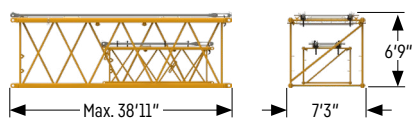
### Boom section 38 ft (No. 2018.20)

Weight including boom pendants	lbs	3,728
Weight including boom and jib pendants	lbs	4,200

### Boom head 23 ft (No. 2018.20)

Weight including boom pendants	lbs	5,300
--------------------------------	-----	-------

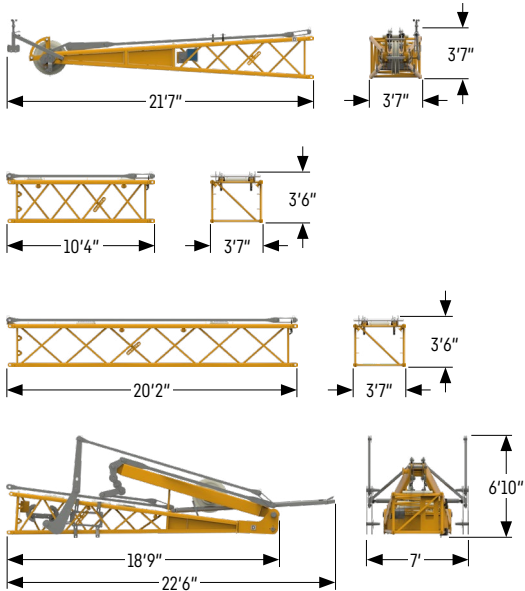
## Transport option 2018.xx / 1309.xx



### Transport option (No. 2018.xx/1309.xx)

No. 2018.xx/1309.xx	ft	20 / 20	38 / 38
Weight including pendants	lbs	3,571	6,305

## Fixed jib 1008.xx



### Jib head 18 ft (No. 1008.20)

Weight including pendants	lbs 1,925
---------------------------	-----------

### Jib section 10 ft (No. 1008.17)

Weight including pendants	lbs 589
---------------------------	---------

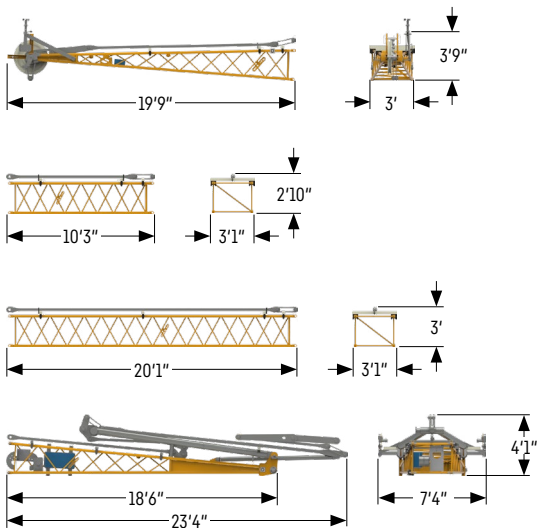
### Jib section 20 ft (No. 1008.17)

Weight including pendants	lbs 988
---------------------------	---------

### Jib foot 18 ft with A-frame (No. 1008.20)

Weight including pendants	lbs 4,537
---------------------------	-----------

## Fixed jib 0806.xx



### Jib head 18 ft (No. 0806.16)

Weight including pendants	lbs 974
---------------------------	---------

### Jib section 10 ft (No. 0806.15)

Weight including pendants	lbs 311
---------------------------	---------

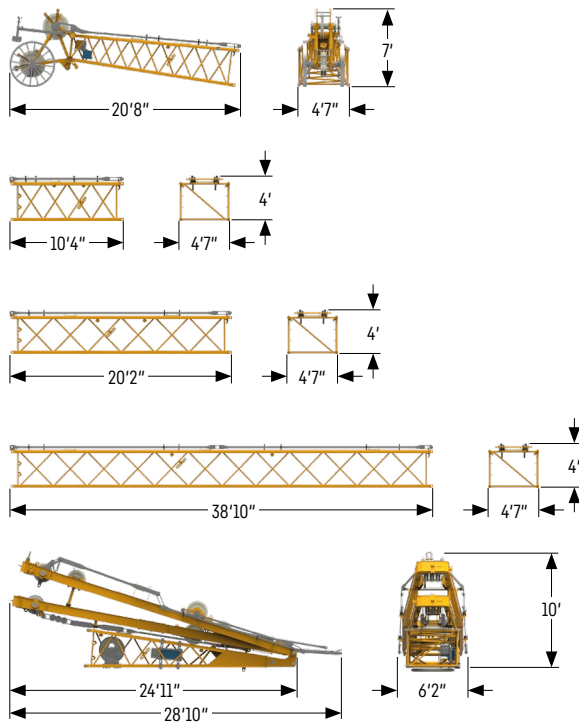
### Jib section 20 ft (No. 0806.15)

Weight including pendants	lbs 549
---------------------------	---------

### Jib foot 18 ft with A-frame (No. 0806.16)

Weight including pendants	lbs 2,374
---------------------------	-----------

## Luffing jib 1309.xx



### Jib head 18 ft (No. 1309.22)

Weight including pendants	lbs 2,485
---------------------------	-----------

### Jib section 10 ft (No. 1309.20)

Weight including pendants	lbs 677
---------------------------	---------

### Jib section 20 ft (No. 1309.20)

Weight including pendants	lbs 1,127
---------------------------	-----------

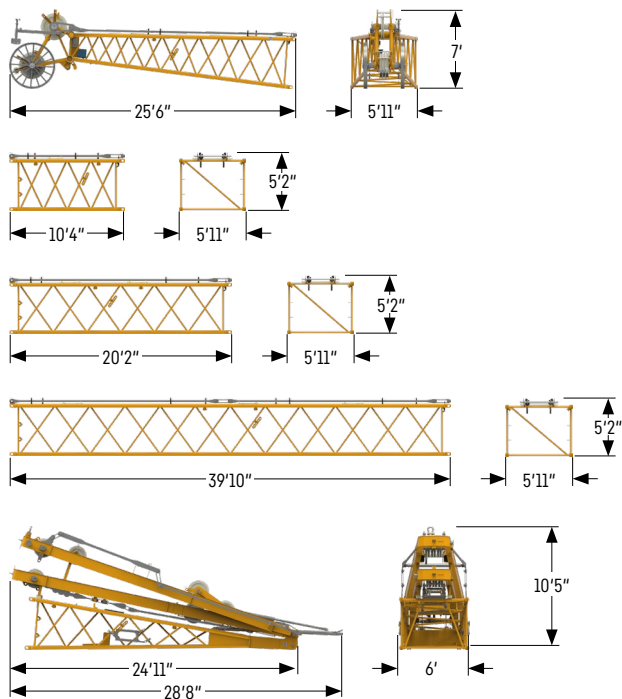
### Jib section 38 ft (No. 1309.20)

Weight including pendants	lbs 2,075
---------------------------	-----------

### Jib foot 18 ft with A-frames 2 + 3 (No. 1309.22)

Weight including pendants	lbs 9,905
---------------------------	-----------

## Luffing jib 1713.xx



### Jib head 23 ft (No. 1713.21)

Weight including pendants	lbs 3,034
---------------------------	-----------

### Jib section 10 ft (No. 1713.18)

Weight including pendants	lbs 869
---------------------------	---------

### Jib section 20 ft (No. 1713.18)

Weight including pendants	lbs 1,376
---------------------------	-----------

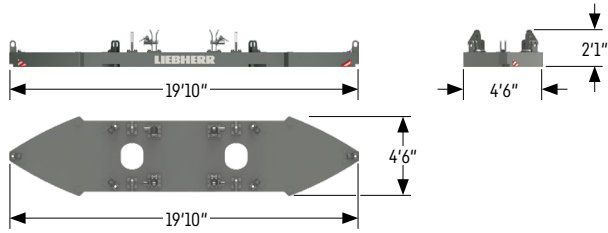
### Jib section 40 ft (No. 1713.18)

Weight including pendants	lbs 2,474
---------------------------	-----------

### Jib foot 23 ft with A-frames 2 + 3 (No. 1713.22)

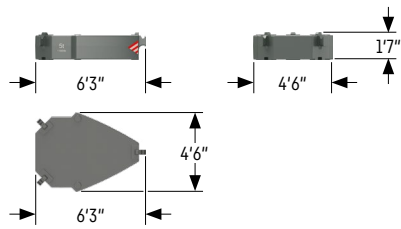
Weight including pendants	lbs 10,465
---------------------------	------------

# Counterweight



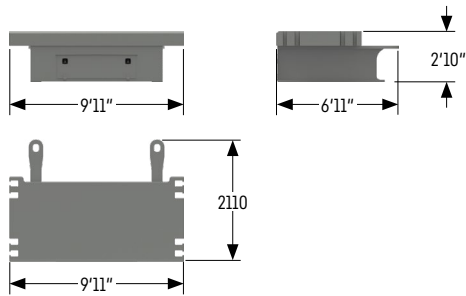
## Basic counterweight slab without tie-down (1x)

Weight	lbs 26,500
--------	------------



## Counterweight slab (10x)

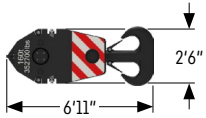
Weight	lbs 11,000
--------	------------



## Carbody counterweight (2x)

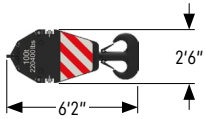
Weight	lbs 22,000
--------	------------

## Pulley block with additional weights / load hooks



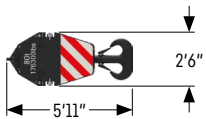
### 352,700 lbs pulley block - 7 pulleys

Width	2'11"
Weight	lbs 3,307 / 4,960 / 6,614



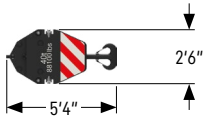
### 220,400 lbs pulley block - 5 pulleys

Width	2'5"
Weight	lbs 2,866 / 3,968 / 5,071



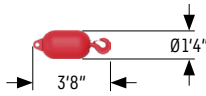
### 176,300 lbs pulley block - 3 pulleys

Width	1'10"
Weight	lbs 2,205 / 3,307 / 4,409



### 88,100 lbs pulley block - 1 pulley

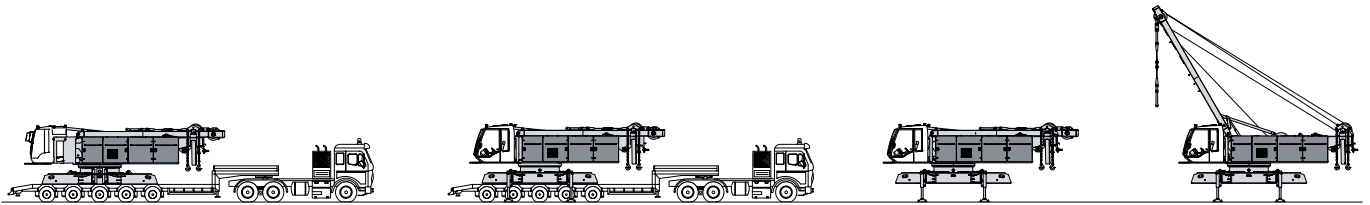
Width	1'7"
Weight	lbs 1,543 / 2,425 / 3,307



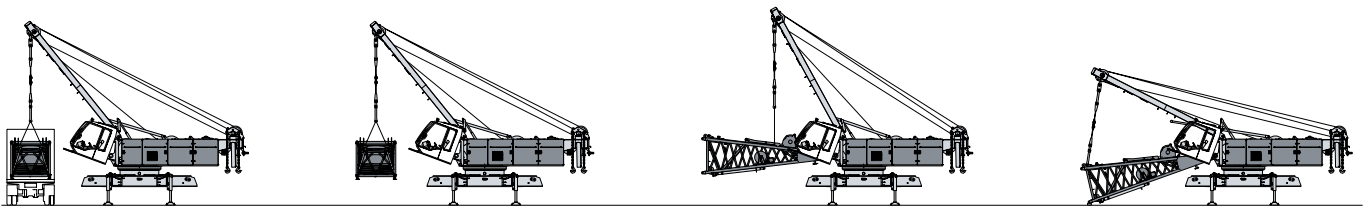
### 27,560 lbs load hook

Weight	lbs 1,323
--------	-----------

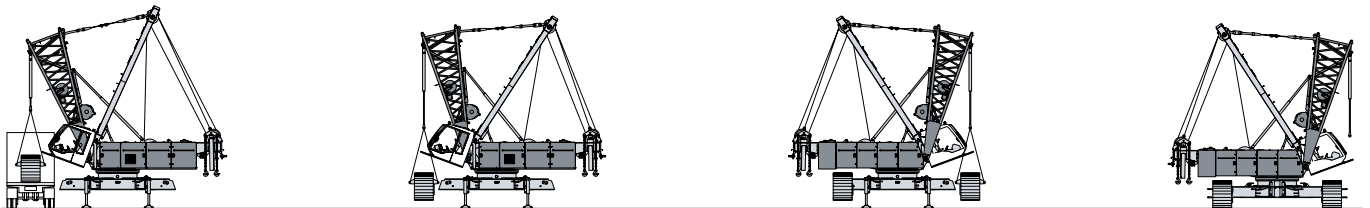
# Self-assembly system



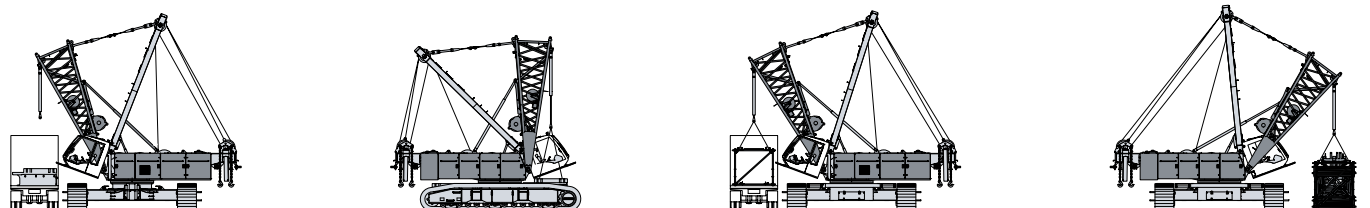
Unloading of basic machine



Unloading and assembly of boom foot

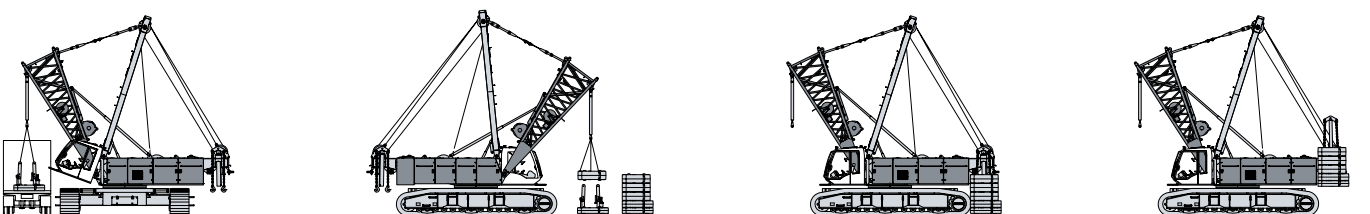


Unloading and assembly of crawler side frames



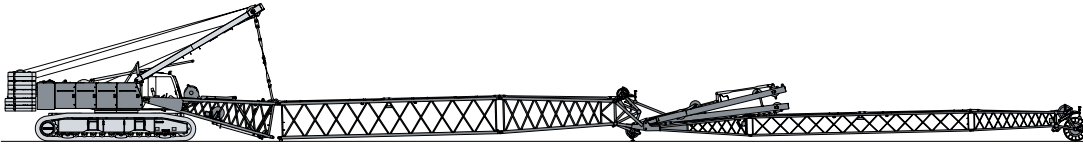
Unloading and assembly of carbody counterweight

Unloading and assembly of boom

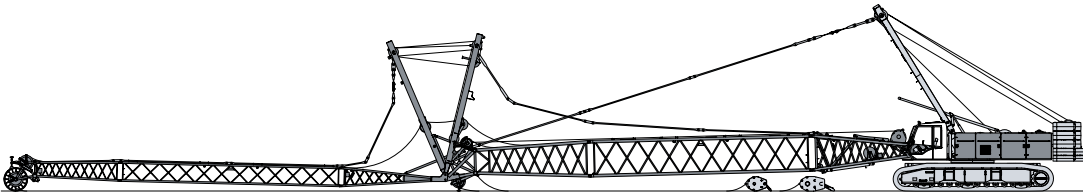


Unloading and assembly of rear counterweight

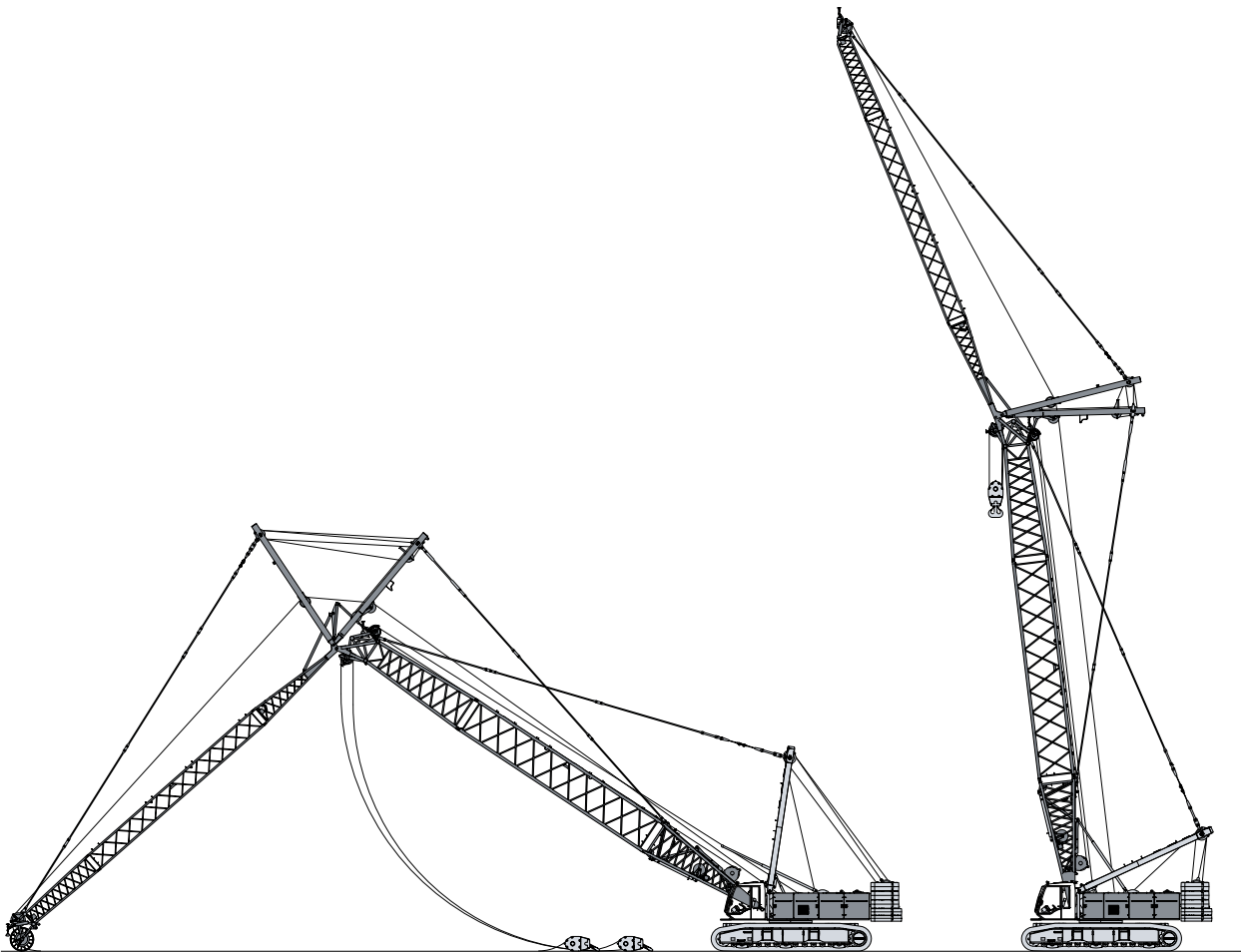




Assembly of boom

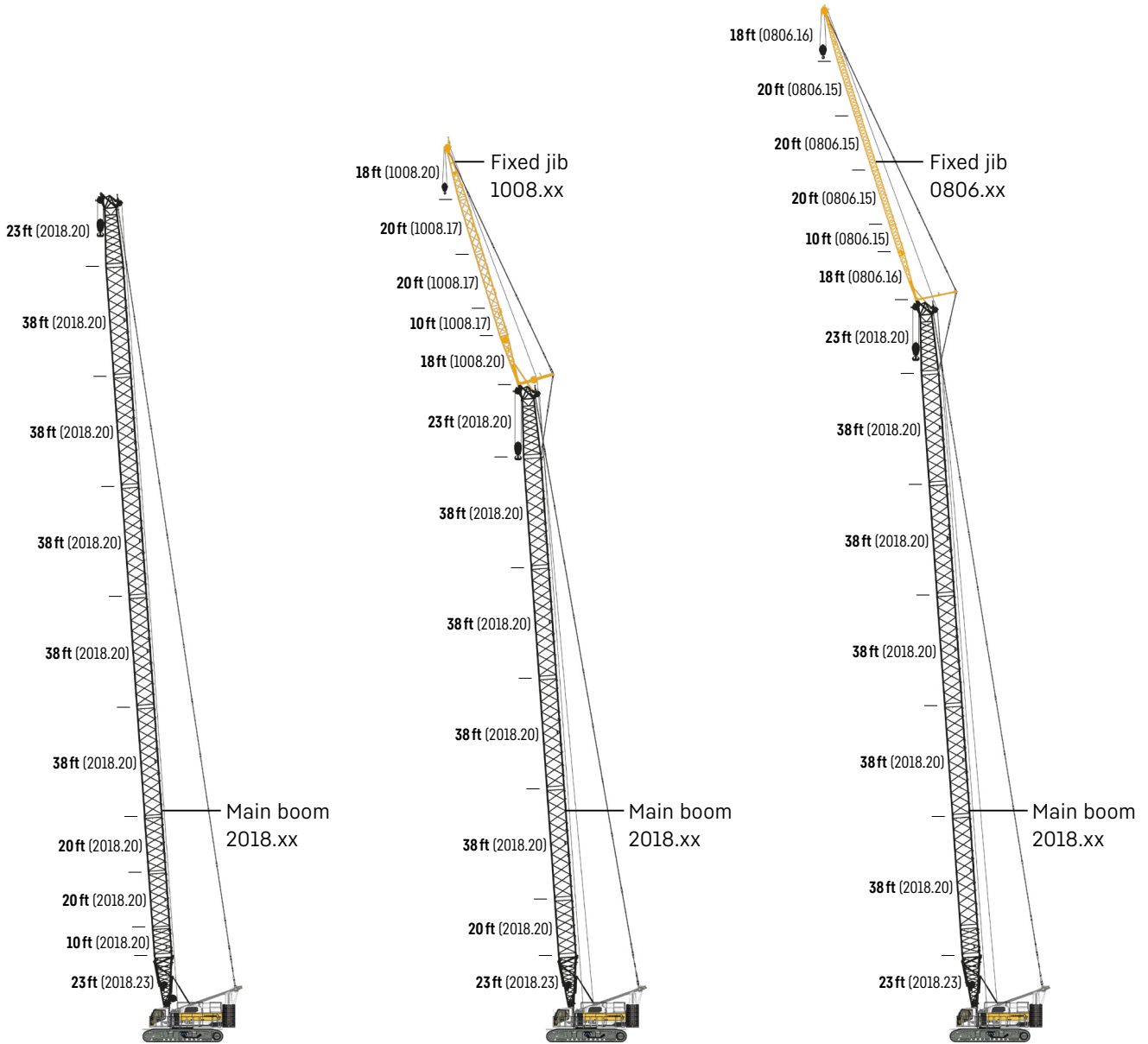


Reeving of hoist and luffing jib ropes



Erecting of main boom and luffing jib

# Boom combinations



## Main boom

Mode 1	
<b>Max. length</b>	
2018.xx	ft 287

Further information on page 20.

## Main boom + fixed jib

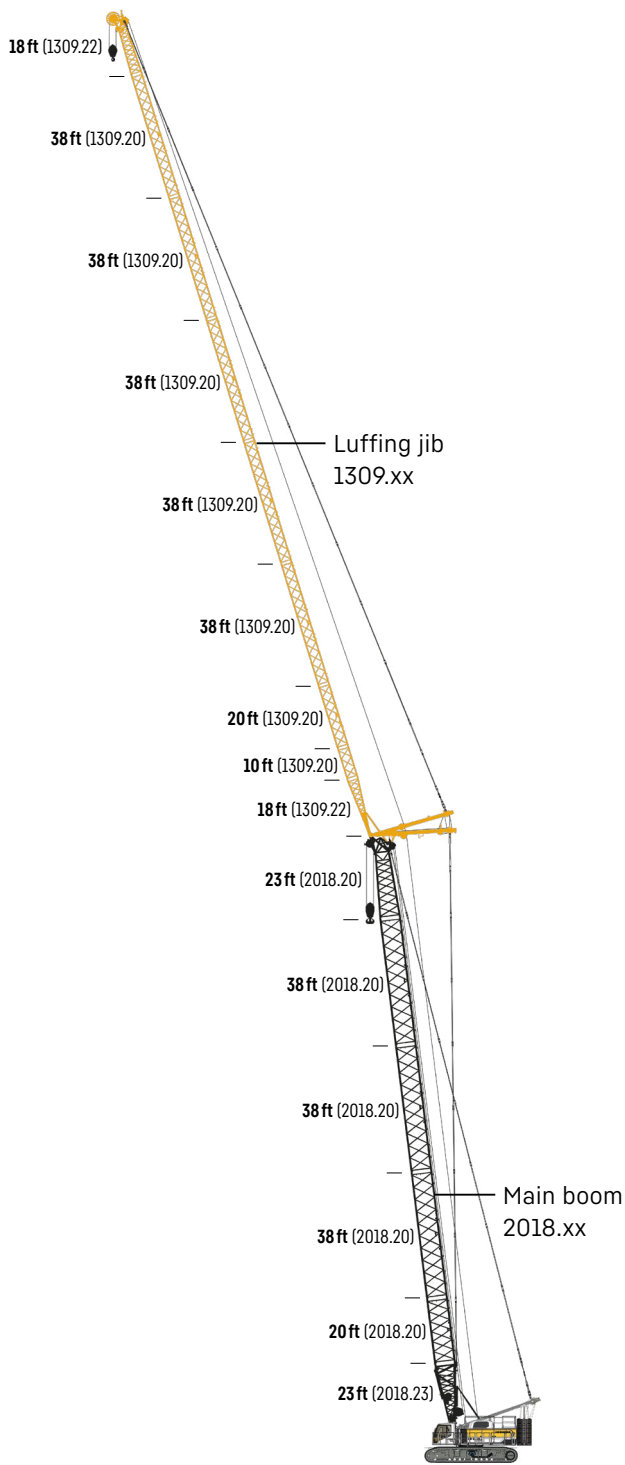
Mode 3	
<b>Max. combination</b>	
2018.xx	ft 219 229
1008.xx	ft 85 66
<b>Total length</b>	ft 304 295

Further information on page 34.

## Main boom + fixed jib

Mode 3	
<b>Max. combination</b>	
2018.xx	ft 248 258
0806.xx	ft 105 85
<b>Total length</b>	ft 353 343

Further information on page 37.



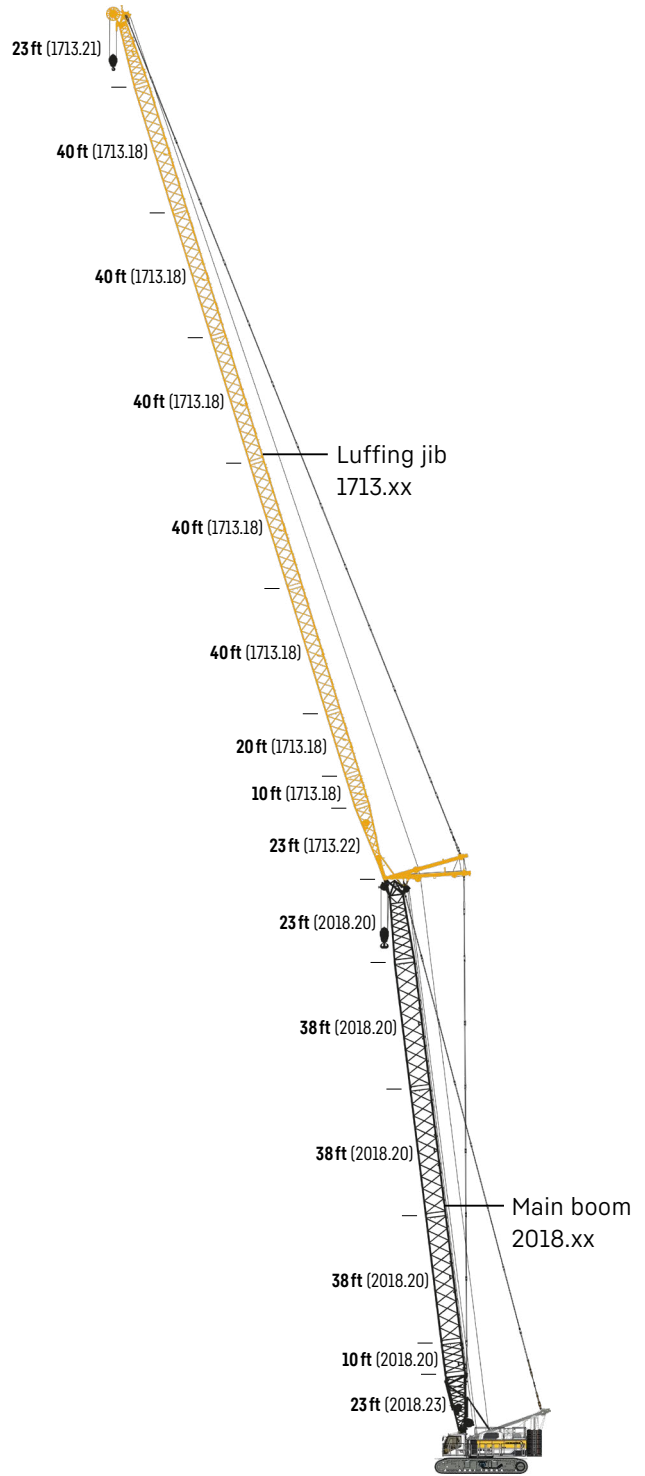
**Main boom + luffing jib**

Mode 4

**Max. combination**

2018.xx	ft	181	191
1309.xx	ft	258	219
<b>Total length</b>	<b>ft</b>	<b>439</b>	<b>410</b>

Further information on page 22.



**Main boom + luffing jib**

Mode 4

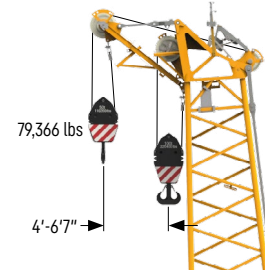
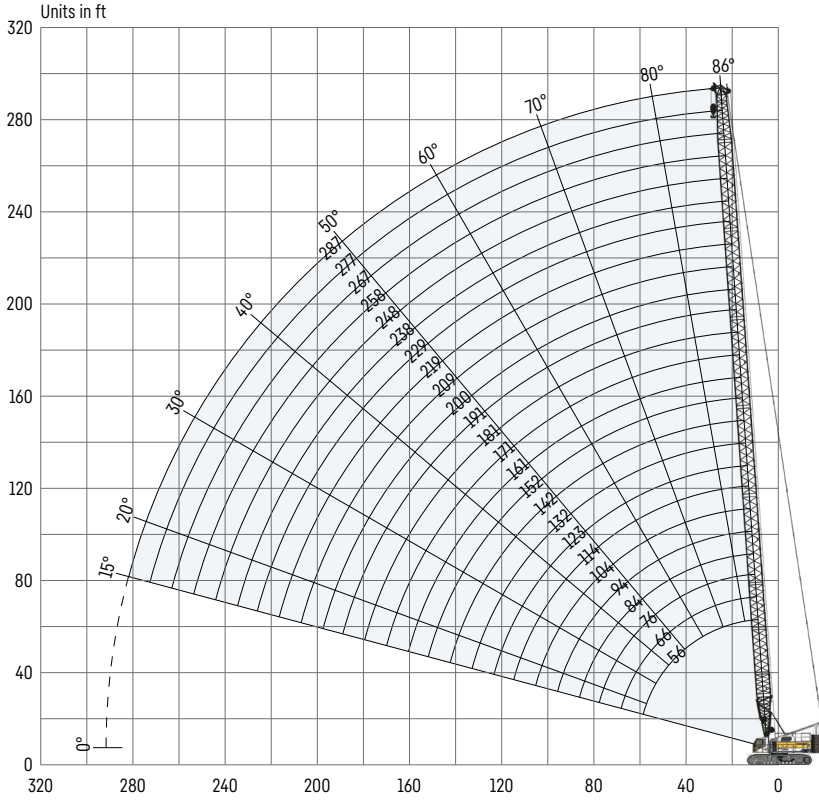
**Max. combination**

2018.xx	ft	171	181
1713.xx	ft	272	223
<b>Total length</b>	<b>ft</b>	<b>443</b>	<b>404</b>

Further information on page 28.

# Main boom 2018.xx

## Boom lengths 56-287 ft



### Auxiliary jib 79,366 lbs (option)

The maximum capacity of the auxiliary jib is 79,366 lbs. The corresponding load chart is programmed in the LML system.

### Main boom configuration 2018.xx

Boom section	Amount of boom sections												
	1	1	1	1	1	1	1	1	1	1	1	1	1
Boom foot 23 ft	1	1	1	1	1	1	1	1	1	1	1	1	1
Boom section 10 ft	1		1		1		1		1		1		1
Boom section 20 ft		1	1			1	1			1	1		1
Boom section 38 ft				1	1	1	1	2	2	2	2	3	3
Boom head 23 ft	1	1	1	1	1	1	1	1	1	1	1	1	1
<b>Boom length [ft]</b>	<b>56</b>	<b>66</b>	<b>76</b>	<b>84</b>	<b>94</b>	<b>104</b>	<b>114</b>	<b>123</b>	<b>132</b>	<b>142</b>	<b>152</b>	<b>161</b>	<b>171</b>
Auxiliary jib	✓	✓	✓	✓	✓	✓	✓	✓	✓	✓	✓	✓	✓
Boom foot 23 ft	1	1	1	1	1	1	1	1	1	1	1	1	1
Boom section 10 ft		1		1		1		1		1		1	
Boom section 20 ft	1	1			1	1			1	1	2	2	
Boom section 38 ft	3	3	4	4	4	4	5	5	5	5	5	5	5
Boom head 23 ft	1	1	1	1	1	1	1	1	1	1	1	1	1
<b>Boom length [ft]</b>	<b>181</b>	<b>191</b>	<b>200</b>	<b>209</b>	<b>219</b>	<b>229</b>	<b>238</b>	<b>248</b>	<b>258</b>	<b>267</b>	<b>277</b>	<b>287</b>	
Auxiliary jib	✓	✓	✓	✓	✓	✓	✓	✓	✓	✓	✓	✓	✓

Actual lengths of boom sections are metric (e.g. 3 m, 6 m). The figures shown above are approximate conversions to feet.

# Load capacities with main boom

## Load capacities in 1000 lbs

	Boom length [ft]												
	56	66	94	114	132	152	171	191	209	229	248	267	287
15	352.7*	302.0	302.0										
20	299.7	301.5	292.1	278.7	244.6	205.0	168.8						
25	269.1	261.7	257.8	242.4	231.5	195.5	166.2	138.5	110.4	91.5			
30	200.7	201.0	201.2	201.1	193.8	176.8	160.1	133.5	106.5	89.6	76.3	63.2	53.1
35	159.5	159.7	159.8	159.6	159.4	159.0	145.7	127.1	103.1	87.2	74.6	61.8	52.3
40	131.8	132.1	132.1	131.8	131.6	131.2	131.0	120.8	99.2	84.4	73.3	60.9	51.4
45	112.0	112.3	112.2	111.9	111.7	111.3	111.0	110.6	96.3	82.0	71.9	59.3	50.3
50	97.0	97.4	97.3	97.0	96.7	96.3	96.0	95.5	92.2	80.1	70.8	57.8	48.8
55	85.3	85.7	85.7	85.4	85.1	84.6	84.3	83.8	83.4	76.5	70.0	56.7	47.6
60	26.6	76.4	76.4	76.1	75.8	75.3	74.9	74.4	74.0	72.1	66.4	55.5	46.6
65		68.6	68.8	68.4	68.1	67.6	67.2	66.7	66.3	65.7	63.1	53.5	45.5
70		26.6	62.4	62.1	61.7	61.3	60.8	60.3	59.8	59.3	58.8	51.7	44.1
75			57.0	56.7	56.3	55.8	55.4	54.9	54.4	53.8	53.4	50.1	42.8
80			52.3	52.0	51.7	51.2	50.8	50.2	49.7	49.2	48.7	48.1	41.6
85			48.3	48.0	47.7	47.2	46.7	46.2	45.7	45.1	44.6	44.0	40.6
90			44.7	44.5	44.2	43.6	43.2	42.6	42.2	41.6	41.1	40.5	39.7
95			41.5	41.3	41.0	40.5	40.1	39.5	39.0	38.4	37.9	37.3	36.7
100				38.5	38.3	37.8	37.3	36.7	36.2	35.6	35.1	34.5	33.9
110				33.7	33.5	33.0	32.6	32.0	31.5	30.9	30.4	29.8	29.1
115				31.6	31.5	31.0	30.6	30.0	29.5	28.9	28.3	27.7	27.1
120					29.6	29.1	28.7	28.1	27.6	27.0	26.6	26.0	25.3
125						27.9	27.5	27.0	26.5	26.1	25.4	24.9	24.3
130						26.4	26.0	25.6	25.0	24.5	23.9	23.3	22.7
135							24.5	24.1	23.6	23.1	22.4	21.9	21.3
140							23.2	22.8	22.2	21.7	21.1	20.6	20.0
145							21.9	21.6	21.0	20.5	19.9	19.4	18.7
150							20.8	20.4	19.9	19.4	18.8	18.2	17.6
155								19.4	18.8	18.3	17.7	17.2	16.5
160								18.3	17.8	17.3	16.7	16.2	15.5
165								17.4	16.9	16.4	15.8	15.2	14.6
170								16.5	16.0	15.5	14.9	14.4	13.7
175									15.2	14.7	14.1	13.5	12.9
180									14.4	13.9	13.3	12.8	12.1
190									12.9	12.5	11.9	11.3	10.7
195										11.8	11.2	10.7	10.0
200										11.2	10.6	10.1	9.4
205											10.5	9.5	8.8
210												9.4	8.3
220												8.3	7.2
225												7.8	6.7
230													6.9
240													6.0
250													4.6
260													3.8
275													2.2

\* Load capacities over 302,000 lbs require a special heavy duty boom head.

Carbody counterweight: 44,100 lbs

Rear counterweight:

115,300 lbs      137,300 lbs

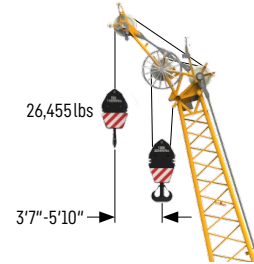
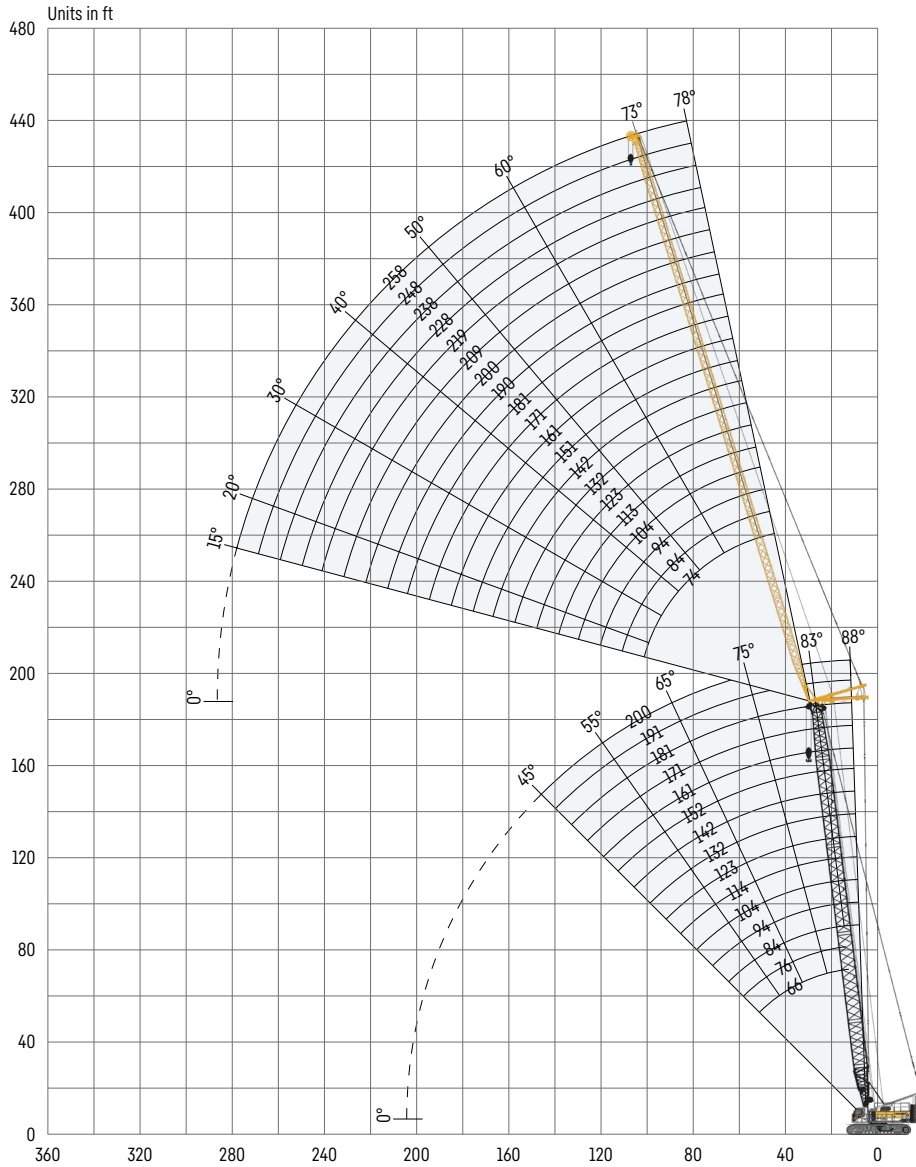


TLT 13639068.0. Above load charts are for reference only. For actual lift duty please refer to load chart in operator's cabin or manual. Otherwise we recommend you to plan your lifting job using Crane Planner 2.0.

www.liebherr.com/CranePlanner  
**Crane Planner 2.0**

# Luffing jib 1309.xx

## Jib lengths 74-258 ft



**Auxiliary jib 26,455 lbs (option)**  
 The maximum capacity of the auxiliary jib is 26,455 lbs.

### Jib configuration 1309.xx

Jib section	Amount of jib sections																			
	1	1	1	1	1	1	1	1	1	1	1	1	1	1	1	1	1	1	1	1
Jib foot 18 ft	1	1	1	1	1	1	1	1	1	1	1	1	1	1	1	1	1	1	1	1
Jib section 10 ft		1		1		1		1		1		1		1		1		1		1
Jib section 20 ft			1	1			1	1			1	1			1	1			1	1
Jib section 38 ft	1	1	1	1	2	2	2	2	3	3	3	3	4	4	4	4	5	5	5	5
Jib head 18 ft	1	1	1	1	1	1	1	1	1	1	1	1	1	1	1	1	1	1	1	1
<b>Jib length [ft]</b>	<b>74</b>	<b>84</b>	<b>94</b>	<b>104</b>	<b>113</b>	<b>123</b>	<b>132</b>	<b>142</b>	<b>151</b>	<b>161</b>	<b>171</b>	<b>181</b>	<b>190</b>	<b>200</b>	<b>209</b>	<b>219</b>	<b>228</b>	<b>238</b>	<b>248</b>	<b>258</b>
Auxiliary jib	✓	✓	✓	✓	✓	✓	✓	✓	✓	✓	✓	✓	✓	✓	✓	✓	✓	✓	✓	✓

Actual lengths of boom sections are metric (e.g. 3 m, 6 m). The figures shown above are approximate conversions to feet. For main boom configuration please refer to the table on page 20.

# Load capacities with luffing jib

Load capacities in 1000 lbs with 66 ft main boom [88/83/75/65°]

Radius [ft]	Jib length 74 ft				Jib length 132 ft				Jib length 181 ft			
	88°	83°	75°	65°	88°	83°	75°	65°	88°	83°	75°	65°
30	104.9											
40	100.8	104.9			59.9							
45	91.0	104.7			58.6							
55	81.5	92.7			57.0				30.6			
60	64.9	71.6	78.2		53.8	54.9			29.1			
70	53.7	58.1	64.7		48.3	50.0			27.4			
75	49.2	53.0	59.5		46.4	45.6			26.9	27.6		
85		44.6	51.1	49.1	39.5	39.4	47.0		25.5	26.4		
90		15.7	47.5	45.8	36.7	36.9	43.3		24.9	25.7		
100			43.8	40.3	32.5	33.0	37.0		24.0	24.5		
110				8.3	28.9	29.1	32.2		23.3	23.3	24.2	
120					26.6	26.5	28.3	31.2	22.7	22.1	23.1	
130					24.1	23.9	25.7	28.2	21.9	21.2	21.7	
140					8.3	21.3	23.2	25.8	19.9	19.2	20.5	
150							21.0	23.3	18.2	17.4	18.7	20.7
160								21.2	16.8	15.8	16.7	18.6
170								2.7	15.4	14.4	15.1	16.7
180									14.0	12.9	13.8	15.0
190										11.3	12.5	13.7
200											11.2	12.6
205												12.0
210												11.3
Radius [ft]	Jib length 191 ft				Jib length 238 ft				Jib length 258 ft			
	88°	83°	75°	65°	88°	83°	75°	65°	88°	83°	75°	65°
60	21.8											
70	19.1				14.7				11.2			
75	19.0				14.2				10.7			
85	19.0	17.5			13.5				10.0			
90	18.5	17.0			13.1	11.7			9.6			
100	17.0	16.5			12.5	11.0			9.0	7.7		
105	16.4	16.4			12.2	10.8			8.8	7.4		
115	15.5	16.4			11.7	10.2			8.2	6.9		
120	15.3	16.3	16.7		11.4	9.9			8.0	6.6		
130	15.0	15.6	16.0		11.1	9.5	9.7		7.6	6.1		
140	14.7	15.0	15.4		10.8	9.2	9.3		7.2	5.8	6.0	
150	14.3	14.6	14.9		10.5	9.0	8.9		6.8	5.4	5.6	
160	13.8	13.5	14.4	14.5	10.3	8.8	8.7		6.5	5.0	5.3	
170	13.4	12.5	13.3	14.2			8.5		6.3	4.7	4.9	
180	13.0	11.6	12.1	13.8				7.9	6.0	4.5	4.6	
190	12.3	10.8	11.1	12.6				7.5	5.8	4.3	4.4	4.6
200	11.2	9.7	10.2	11.2				7.3	5.6	4.2	4.2	4.3
220			8.3	9.3				6.9	5.3	3.9	3.8	3.9
240				7.5				6.3	4.9	3.4	3.5	3.6
260								5.0	4.5	2.8	3.0	3.2
270											2.8	3.0
285												2.7

Carbody counterweight: 44,100 lbs  
 Rear counterweight:  
 137,300 lbs



TLT 13639068.0. Above load charts are for reference only. For actual lift duty please refer to load chart in operator's cabin or manual. Otherwise we recommend you to plan your lifting job using Crane Planner 2.0.

www.liebherr.com/CranePlanner

**Crane Planner 2.0**

# Load capacities with luffing jib

Load capacities in 1000 lbs with 132 ft main boom [88/83/75/65°]

Radius [ft]	Jib length 74 ft				Jib length 132 ft				Jib length 181 ft			
	88°	83°	75°	65°	88°	83°	75°	65°	88°	83°	75°	65°
30	94.0											
40	89.0											
45	83.0				46.9							
50	78.2	89.6			45.9							
60	66.8	78.8			44.5				26.2			
70	56.9	65.2			41.9	45.5			25.1			
80	48.5	55.4	51.3		39.3	43.2			24.1	24.9		
85	26.6	51.5	47.7		37.4	41.7			23.6	24.7		
90		48.0	44.5		35.7	40.5			23.0	24.2		
100			39.2		33.0	36.8			22.2	23.3		
110			34.9	31.5	29.8	34.1	33.5		21.4	22.4		
120				28.3	27.2	30.8	30.1		20.6	21.6		
130				25.6	25.2	28.0	27.2		20.0	20.9	21.9	
135				24.4	23.9	26.8	26.0		19.5	20.5	21.5	
140					22.6	26.0	24.9		18.9	20.3	21.3	
150						23.4	22.8	20.1	17.9	19.3	20.6	
160							20.9	18.4	16.9	18.3	19.8	
170							19.3	17.0	15.9	17.4	18.3	10.4
180								15.7	14.7	16.4	16.9	14.5
190								14.6		15.2	15.6	13.4
200										13.9	14.5	12.4
215											13.0	11.1
Radius [ft]	Jib length 191 ft				Jib length 238 ft				Jib length 258 ft			
	88°	83°	75°	65°	88°	83°	75°	65°	88°	83°	75°	65°
60	18.8											
75	17.7				12.1				9.5			
85	17.0				11.6				9.0			
95	16.4	17.1			11.2				8.4			
100	16.0	16.7			11.0	11.5			8.2			
115	15.2	15.8			10.4	10.9			7.5	8.0		
130	14.5	15.1			9.9	10.3			6.9	7.4		
140	14.1	14.6	15.2		9.6	10.0			6.6	7.0		
150	13.8	14.2	14.7		9.3	9.6	10.1		6.3	6.7		
170	13.3	13.5	13.9		8.8	9.1	9.4		5.8	6.1	6.5	
180	13.0	13.3	13.6		8.6	8.9	9.2		5.6	5.8	6.2	
190	12.7	13.0	13.4	12.7	8.3	8.6	8.9		5.4	5.6	5.9	
200	11.7	12.7	13.2	11.7	8.1	8.4	8.8		5.3	5.4	5.7	
215	10.2	11.3	12.4	10.4	7.7	8.1	8.5	8.5	5.0	5.2	5.4	5.5
230			11.2	9.3	7.1	7.7	8.2	8.2	4.9	5.0	5.2	5.3
240			10.4	8.6	6.6	7.2	8.1	7.9	4.8	4.9	5.0	5.2
250				8.0		6.8	7.7	7.3	4.7	4.8	4.9	5.0
260				7.4			7.3	6.8	4.6	4.8	4.8	4.9
270							6.9	6.2		4.7	4.8	4.8
280								5.8			4.7	4.7
290								5.3			4.7	4.7
310								0.0				4.0

Carbody counterweight: 44,100 lbs  
 Rear counterweight:  
 137,300 lbs



TLT 13639068.0. Above load charts are for reference only. For actual lift duty please refer to load chart in operator's cabin or manual. Otherwise we recommend you to plan your lifting job using Crane Planner 2.0.

www.liebherr.com/CranePlanner





# Load capacities with luffing jib

Load capacities in 1000 lbs with 181 ft main boom [88/83/75/65°]

Radius [ft]	Jib length 74 ft				Jib length 132 ft				Jib length 181 ft			
	88°	83°	75°	65°	88°	83°	75°	65°	88°	83°	75°	65°
35	63.2											
45	59.2				35.7							
50	56.4				35.3							
60	50.8	57.9			33.8				22.1			
70	46.4	52.7			32.2				21.5			
80	43.3	48.4			31.0	34.2			20.8			
90		45.1	41.4		29.3	32.7			20.0	21.2		
100		41.2	36.4		28.0	31.2			19.4	20.8		
110			32.4		26.7	29.6			18.8	20.2		
120			29.1		25.6	28.2	27.7		18.1	19.6		
130				22.1	23.9	26.8	25.1		17.6	19.1		
140				20.1	20.5	25.8	22.8		16.5	18.5	18.6	
150				18.4		23.4	20.9		15.1	18.0	18.2	
160							19.2		13.8	17.1	17.7	
170							17.7	14.2	13.0	15.9	16.5	
180							16.3	13.1	12.6	15.0	15.2	
190								12.1	12.2	14.2	14.1	10.6
200								11.2		13.7	13.0	9.9
210								10.4		12.9	12.1	9.1
225										10.9	8.1	
240											7.2	
260											6.1	
Radius [ft]	Jib length 191 ft				Jib length 238 ft				Jib length 258 ft			
	88°	83°	75°	65°	88°	83°	75°	65°	88°	83°	75°	65°
60	16.3											
75	15.6				9.5				7.9			
85	15.1				9.1				7.3			
95	14.6	15.2			8.7				6.8			
100	14.3	15.1			8.5				6.5			
115	13.7	14.4			8.1	8.8			6.0	6.8		
130	13.1	13.7			7.7	8.3			5.8	6.5		
140	12.7	13.4			7.4	8.1			5.7	6.2		
150	12.4	13.0	13.4		7.1	7.9			5.5	6.0		
170	11.9	12.4	12.9		6.5	7.3	8.1		5.1	5.5	6.1	
180	11.7	12.2	12.6		5.6	7.1	7.8		4.9	5.3	5.9	
190	11.5	11.9	12.3		4.8	6.8	7.6		4.7	5.1	5.6	
200	10.7	11.8	12.1		4.0	6.5	7.4		4.6	4.9	5.4	
215	9.4	11.1	11.0	7.9	3.2	6.0	7.2		4.4	4.6	5.1	
230		10.1	9.9	7.0	3.1	5.6	7.0	5.8	4.2	4.3	4.9	
240			9.2	6.5	3.0	5.4	6.8	5.3	4.1	4.1	4.7	4.4
250			8.5	6.0		5.3	6.7	4.8	4.1	4.0	4.6	4.0
260				5.5		5.1	6.5	4.4	4.0	4.0	4.5	3.5
270				5.0			6.2	4.0		4.0	4.4	3.1
280				4.6			6.0	3.6		4.0	4.3	2.8
290								3.3			4.3	2.5
305								2.8			4.3	2.0

Carbody counterweight: 44,100 lbs  
 Rear counterweight:  
 137,300 lbs



TLT 13639068.0. Above load charts are for reference only. For actual lift duty please refer to load chart in operator's cabin or manual. Otherwise we recommend you to plan your lifting job using Crane Planner 2.0.

www.liebherr.com/CranePlanner  
**Crane Planner 2.0**

# Load capacities with luffing jib

Load capacities in 1000 lbs with 191 ft main boom [88/83/75/65°]

Radius [ft]	Jib length 74 ft				Jib length 113 ft				Jib length 132 ft			
	88°	83°	75°	65°	88°	83°	75°	65°	88°	83°	75°	65°
35	58.2				40.9							
45	54.5				40.3				33.8			
50	52.4				39.4				33.3			
55	50.0	54.7			38.4				32.7			
60	47.5	53.1			37.4				31.9			
70	43.5	48.7			35.5	39.0			30.5			
75	41.8	46.3			34.4	37.8			29.8	32.5		
80	40.6	44.6			33.4	36.6			29.3	31.8		
90		41.8			31.7	34.4			27.7	30.2		
100		39.3	35.8		29.8	32.3			26.6	28.7		
105			33.7		28.9	31.5			26.1	27.9		
110			31.9		28.3	30.6	30.5		25.4	27.2		
120			28.6		27.1	29.1	27.7		24.2	26.2	25.9	
130			25.9			27.8	25.0		23.1	25.0	24.5	
140				19.4		26.6	22.8		21.8	24.0	22.3	
150				17.7			20.9			22.9	20.4	
160				16.2			19.2	15.2		21.8	18.7	
165							18.4	14.6			18.0	
180								12.9			15.9	12.4
190								12.0				11.4
200												10.6
215												9.4
Radius [ft]	Jib length 171 ft				Jib length 219 ft				Jib length 219 ft			
	88°	83°	75°	65°	88°	83°	75°	65°	88°	83°	75°	65°
55	23.4											
65	22.7				14.5				11.8			
70	22.3				14.1				11.6			
80	21.6				13.6				11.1			
90	20.7	21.9			13.2				10.6			
100	20.1	21.2			12.6	14.0			10.2	11.3		
110	19.2	20.5			12.1	13.3			9.8	10.9		
120	18.5	19.9			11.7	12.9			9.5	10.5		
130	17.9	19.2			11.3	12.6			9.2	10.1		
140	17.2	18.7	18.5		11.0	12.2			8.9	9.9		
150	16.6	18.1	17.8		10.7	11.9	12.9		8.7	9.6		
160	16.1	17.5	17.2		10.3	11.6	12.7		8.5	9.3	10.2	
170	15.5	16.9	16.4		10.0	11.3	12.3		8.2	9.1	10.0	
180	14.9	16.3	15.1		9.7	11.0	11.9		8.0	8.9	9.7	
190		15.5	14.0	10.4	9.5	10.8	11.6		7.7	8.7	9.5	
200			13.0	9.6	9.2	10.6	11.2		7.6	8.5	9.3	
215			11.6	8.5		10.3	10.6	7.5	7.4	8.2	8.9	
235				7.3			9.4	6.4		8.0	8.4	5.5
250				6.5			8.4	5.7			8.0	4.8
270								4.8			6.9	4.1
280								4.4				3.7
300												3.1

Carbody counterweight: 44,100 lbs  
 Rear counterweight:  
 137,300 lbs



TLT 13639068.0. Above load charts are for reference only. For actual lift duty please refer to load chart in operator's cabin or manual. Otherwise we recommend you to plan your lifting job using Crane Planner 2.0.

www.liebherr.com/CranePlanner



# Load capacities with luffing jib

Load capacities in 1000 lbs with 200 ft main boom [88/83/75/65°]

Radius [ft]	Jib length 74 ft				Jib length 94 ft				Jib length 113 ft			
	88°	83°	75°	65°	88°	83°	75°	65°	88°	83°	75°	65°
35	54.1											
45	50.9				43.2				37.4			
50	49.1				42.0				36.5			
60	44.8	49.3			40.1				34.9			
65	43.0	47.1			38.7	42.1			33.9			
70	41.1	45.3			37.2	40.8			33.1	36.2		
80	38.4	41.5			34.7	37.8			31.2	34.0		
85	37.5	40.0			33.4	36.3			30.4	32.9		
90		38.7			32.3	35.1			29.7	32.0		
100		36.6	35.2		28.0	33.0			27.9	29.9		
110			31.3			31.2	30.6		26.6	28.4	27.8	
120			28.2			28.6	27.7		22.9	27.0	26.6	
130			25.5				25.0			26.0	24.6	
140				18.7			22.8			23.9	22.4	
145				17.9			21.8				21.4	
150				17.1			20.9	16.6			20.5	
160				15.7				15.2			18.9	14.6
165				15.1				14.6			18.1	14.1
170								14.0			17.4	13.5
180								12.9				12.5
190												11.5
200												10.7
Radius [ft]	Jib length 132 ft				Jib length 151 ft				Jib length 161 ft			
	88°	83°	75°	65°	88°	83°	75°	65°	88°	83°	75°	65°
45	28.2											
55	26.6				22.9				21.0			
60	26.0				22.3				20.3			
70	24.7				21.2				19.3			
80	23.6	26.6			20.2	22.6			18.5			
90	22.4	25.4			19.4	21.7			17.7	19.8		
100	21.5	24.4			18.6	20.9			17.1	19.0		
110	20.4	23.1			17.9	20.2			16.4	18.4		
120	19.4	22.2	21.5		17.1	19.4			15.8	17.8		
130	18.6	21.1	20.7		16.3	18.8	18.5		15.1	17.2	16.9	
140	17.9	20.2	19.7		15.6	18.0	17.8		14.4	16.6	16.5	
150		19.4	18.8		15.1	17.3	17.0		13.8	16.0	15.9	
160		18.6	17.8		14.5	16.7	16.3		13.4	15.4	15.2	
170			17.0	12.9		16.1	15.5		13.0	15.0	14.6	
180			15.7	11.9		15.5	14.8			14.5	14.0	
190				11.0			14.1	10.5			13.4	10.1
200				10.2			13.1	9.7			12.9	9.4
210				9.4				8.9			12.0	8.6
220				8.7				8.3				8.0
230								7.7				7.4
240								7.1				6.8
250												6.3

Carbody counterweight: 44,100 lbs  
 Rear counterweight:  
 137,300 lbs



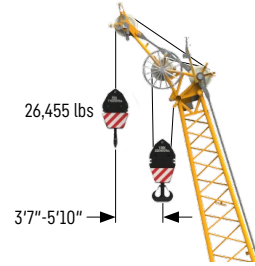
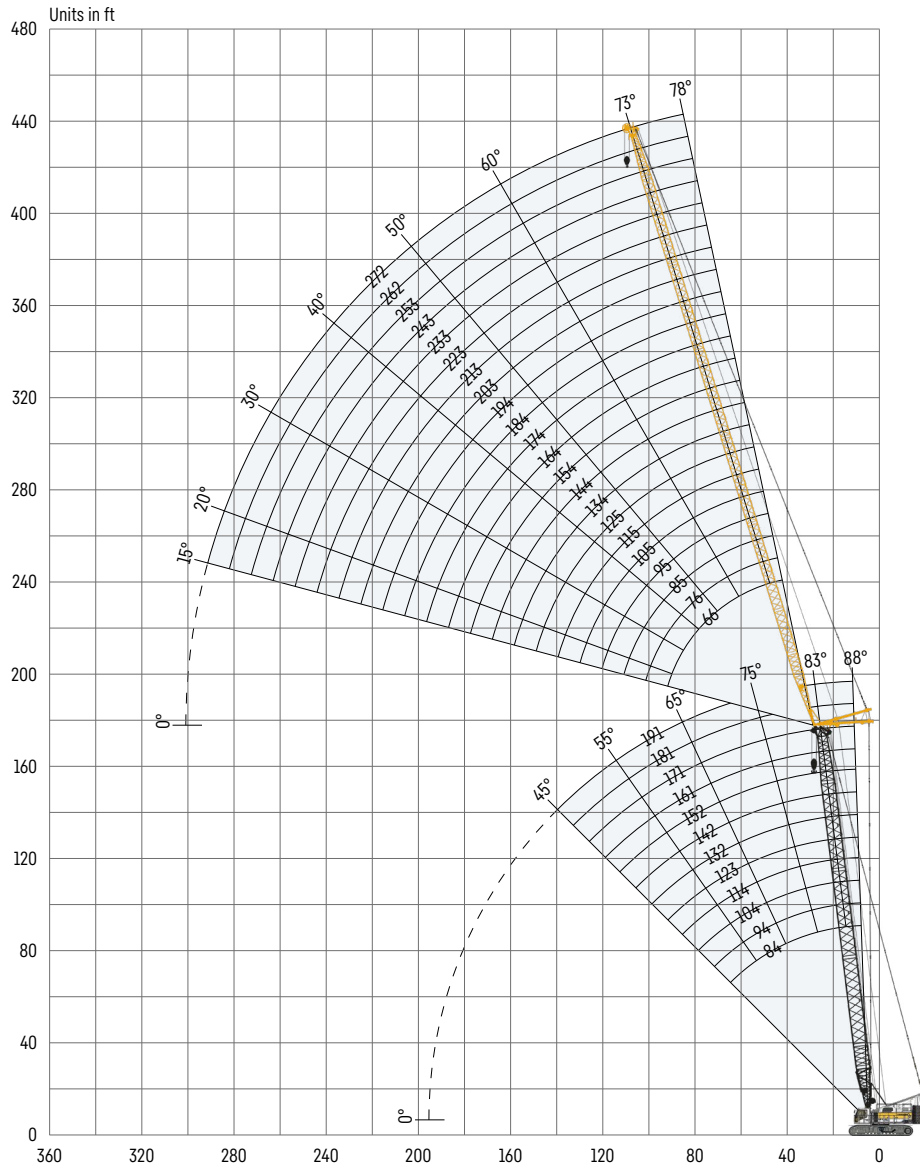
TLT 13639068.0. Above load charts are for reference only. For actual lift duty please refer to load chart in operator's cabin or manual. Otherwise we recommend you to plan your lifting job using Crane Planner 2.0.

www.liebherr.com/CranePlanner

**Crane Planner 2.0**

# Luffing jib 1713.xx

## Jib lengths 66-272 ft



**Auxiliary jib 26,455 lbs (option)**  
 The maximum capacity of the auxiliary jib is 26,455 lbs.

### Jib configuration 1713.xx

Jib section	Amount of jib sections																						
Jib foot 23 ft	1	1	1	1	1	1	1	1	1	1	1	1	1	1	1	1	1	1	1	1			
Jib section 10 ft		1		1		1		1		1		1		1		1		1		1			
Jib section 20 ft	1	1			1	1			1	1			1	1			1	1		1			
Jib section 40 ft			1	1	1	1	2	2	2	2	3	3	3	3	4	4	4	4	5	5	5	5	
Jib head 23 ft	1	1	1	1	1	1	1	1	1	1	1	1	1	1	1	1	1	1	1	1	1	1	
<b>Jib length [ft]</b>	<b>66</b>	<b>76</b>	<b>85</b>	<b>95</b>	<b>105</b>	<b>115</b>	<b>125</b>	<b>134</b>	<b>144</b>	<b>154</b>	<b>164</b>	<b>174</b>	<b>184</b>	<b>194</b>	<b>203</b>	<b>213</b>	<b>223</b>	<b>233</b>	<b>243</b>	<b>253</b>	<b>262</b>	<b>272</b>	
Auxiliary jib	✓	✓	✓	✓	✓	✓	✓	✓	✓	✓	✓	✓	✓	✓	✓	✓	✓	✓	✓	✓	✓	✓	✓

Actual lengths of boom sections are metric (e.g. 3 m, 6 m). The figures shown above are approximate conversions to feet.  
 For main boom configuration please refer to the table on page 20.

# Load capacities with luffing jib

Load capacities in 1000 lbs with 84 ft main boom [88/83/75/65°]

Radius [ft]	Jib length 66 ft				Jib length 115 ft				Jib length 154 ft			
	88°	83°	75°	65°	88°	83°	75°	65°	88°	83°	75°	65°
30	130.5											
40	110.1	130.5			91.5							
45	98.1	115.5			88.7				62.3			
55	84.3	100.7			78.7				61.8			
60	66.8	79.1	76.5		63.7	75.5			57.3			
70	54.4	64.5	63.2		52.8	59.9			50.4	57.2		
75	26.6	58.7	58.0		48.6	54.7			46.0	52.7		
85			49.8	47.1	41.3	46.2	48.6		39.3	44.1		
90			46.4	43.9	38.5	42.6	45.3		36.6	40.7		
100				38.6	33.6	37.1	39.8		31.6	35.2	38.7	
105				36.3	31.6	34.7	37.4		29.5	32.7	36.4	
110					29.8	32.7	35.3		27.8	30.5	34.3	
115					27.9	30.9	33.4	31.2	26.6	28.7	32.5	
120					26.2	29.1	31.7	29.6	26.5	27.1	30.7	
130						26.6	28.6	26.8	23.7	25.8	27.4	
140							26.0	24.3	21.4	23.1	25.2	23.3
145								23.2	20.4	22.0	24.1	22.3
150								22.2	19.3	21.0	23.0	21.3
160									17.1	18.9	20.9	19.5
170											19.0	17.9
180											17.0	16.5
190												15.3
Radius [ft]	Jib length 194 ft				Jib length 233 ft				Jib length 272 ft			
	88°	83°	75°	65°	88°	83°	75°	65°	88°	83°	75°	65°
55	41.6											
70	39.3				26.6				17.8			
80	37.6	38.6			25.3				17.2			
90	33.6	36.5			24.1	24.8			16.3			
100	29.6	32.6			23.1	23.9			15.5	15.7		
110	26.3	28.5	19.6		21.7	23.0			14.9	15.3		
120	23.2	25.2	29.4		20.6	21.5			14.2	14.6		
130	20.8	22.5	26.6		19.3	20.5			13.7	14.0		
140	19.2	20.7	24.2		17.3	18.9	20.7		13.2	13.5		
150	17.4	19.0	21.5		15.7	16.9	19.1		12.4	13.0	13.3	
160	15.9	17.2	19.4	18.4	14.3	15.3	17.6		11.3	12.1	13.2	
170	14.5	15.6	17.3	16.9	13.0	14.0	15.6		10.4	11.1	12.6	
180	13.2	14.3	15.4	15.5	11.6	12.6	14.2	14.4	9.7	10.3	11.8	
190	11.9	13.0	13.9	14.3	10.4	11.3	12.7	13.3	9.0	9.6	10.5	
200		11.6	12.8	13.2	9.4	10.2	11.3	12.2	8.0	8.8	9.4	
210			11.6	12.2	8.5	9.2	10.0	11.2	7.0	7.8	8.6	10.2
220				11.3	7.5	8.3	8.9	10.3	6.2	6.8	7.6	9.1
230				10.5	6.6	7.4	8.0	9.2	5.4	6.0	6.6	8.0
250							6.5	7.5	4.0	4.6	5.0	6.1
270								6.0	2.7	3.2	3.8	4.5
290											2.7	3.4
305												2.6

Carbody counterweight: 44,100 lbs  
 Rear counterweight:  
 137,300 lbs



TLT 13639068.0. Above load charts are for reference only. For actual lift duty please refer to load chart in operator's cabin or manual. Otherwise we recommend you to plan your lifting job using Crane Planner 2.0.

www.liebherr.com/CranePlanner

**Crane Planner 2.0**

# Load capacities with luffing jib

Load capacities in 1000 lbs with 123 ft main boom [88/83/75/65°]

Radius [ft]	Jib length 66 ft				Jib length 115 ft				Jib length 154 ft			
	88°	83°	75°	65°	88°	83°	75°	65°	88°	83°	75°	65°
30	118.4											
40	100.6				74.9							
45	93.0	107.8			72.2							
50	83.6	99.2			69.0				49.8			
60	70.6	78.7			61.6	70.7			48.1			
70	57.7	65.0	61.1		54.0	63.9			46.4	49.6		
80		55.2	51.4		45.1	54.1			41.5	48.5		
85		51.2	47.7		42.1	50.2			39.5	47.4		
90			44.5		39.6	46.0			37.6	43.6		
100			39.1	35.8	34.6	39.8	37.8		32.5	38.1		
110				31.6	30.7	34.9	33.6		28.5	32.8	32.5	
120				28.3	27.1	31.1	30.1		26.6	28.8	29.0	
130						27.5	27.2	24.3	24.1	26.6	26.2	
135						26.6	26.0	23.1	22.9	25.8	25.0	
140							24.8	22.1	21.8	24.4	23.8	
150							22.6	20.1	19.7	22.0	21.7	19.0
160								18.5	17.6	20.0	19.9	17.4
170								17.0		17.9	18.3	15.9
180											16.9	14.7
190											15.6	13.5
200												12.5
210												11.6
Radius [ft]	Jib length 194 ft				Jib length 233 ft				Jib length 272 ft			
	88°	83°	75°	65°	88°	83°	75°	65°	88°	83°	75°	65°
55	34.4											
75	32.7				23.1				16.0			
85	31.9	33.8			22.4				15.5			
95	29.7	32.9			21.7	22.2			14.9			
100	28.8	32.4			21.4	22.2			14.5			
115	26.4	28.1			20.1	21.2			13.7	14.3		
130	22.0	25.1	25.1		18.8	19.8			12.8	13.4		
140	19.9	22.2	22.7		17.0	19.0			12.4	12.9		
150	18.0	20.0	20.7		15.6	17.3	19.5		11.8	12.4		
170	14.8	16.4	17.3		13.2	14.6	16.2		10.3	11.1	12.2	
180	13.5	15.0	15.9	13.6	11.8	13.4	14.9		9.7	10.4	11.7	
190	12.1	13.7	14.6	12.4	10.5	12.1	13.6		9.2	9.9	11.2	
200	10.7	12.3	13.5	11.4	9.4	10.9	12.5	10.3	8.4	9.4	10.3	
215			12.0	10.1	8.0	9.4	10.8	9.0	6.9	7.9	9.3	
230				9.0	6.8	8.0	9.2	7.9	5.7	6.4	8.0	6.6
240				8.3		7.1	8.4	7.3	5.0	5.6	7.0	5.9
250							7.6	6.6	4.3	4.9	6.0	5.3
260							6.7	6.1	3.6	4.3	5.2	4.8
270								5.5	2.9	3.6	4.6	4.3
280								5.0		3.0	4.0	3.9
290											3.4	3.5
320												2.4

Carbody counterweight: 44,100 lbs  
 Rear counterweight:  
 137,300 lbs



TLT 13639068.0. Above load charts are for reference only. For actual lift duty please refer to load chart in operator's cabin or manual. Otherwise we recommend you to plan your lifting job using Crane Planner 2.0.

www.liebherr.com/CranePlanner

**Crane Planner 2.0**

# Load capacities with luffing jib

Load capacities in 1000 lbs with 142 ft main boom [88/83/75/65°]

Radius [ft]	Jib length 66 ft				Jib length 115 ft				Jib length 154 ft			
	88°	83°	75°	65°	88°	83°	75°	65°	88°	83°	75°	65°
30	103.0											
40	88.0				63.8							
50	76.3	89.6			60.7				43.5			
60	67.1	78.0			56.0				42.0			
70	58.6	64.4			51.1	58.0			40.3			
75	52.5	59.2	54.2		47.6	55.4			39.3	42.9		
80		54.7	50.1		44.6	53.0			38.3	42.5		
90		26.6	43.3		39.9	46.3			36.8	40.6		
100			38.1		34.9	40.7	36.7		32.2	38.0		
110			26.6	30.0	31.0	36.1	32.6		28.7	33.7		
120				26.9	27.4	32.0	29.2		26.6	29.6	28.1	
130				24.3		28.5	26.4		24.3	26.6	25.3	
140							23.9	20.7	21.9	25.0	23.0	
145							22.9	19.7	20.9	23.7	21.9	
150							21.9	18.9	19.9	22.6	20.9	
160								17.3	17.8	20.5	19.2	16.1
170								15.9		18.5	17.6	14.8
175								15.2		17.4	16.9	14.2
180								14.6			16.2	13.6
190											15.0	12.5
200												11.5
215												10.2
Radius [ft]	Jib length 194 ft				Jib length 233 ft				Jib length 272 ft			
	88°	83°	75°	65°	88°	83°	75°	65°	88°	83°	75°	65°
60	30.7											
75	29.2				21.3				14.9			
85	28.4	30.3			20.6				14.5			
95	27.2	29.8			20.0				14.0			
100	26.8	29.4			19.7	20.7			13.7			
115	24.4	27.6			18.8	19.9			13.1	13.7		
130	21.3	24.4	24.2		17.9	19.0			12.3	12.8		
140	19.9	21.8	21.9		16.4	18.5			11.9	12.4		
150	18.1	19.7	19.9		15.0	17.0	18.1		11.4	11.9		
170	14.9	16.3	16.6	3.6	13.2	14.7	15.4		10.1	10.9	11.8	
180	13.6	14.8	15.2	3.1	11.9	13.7	14.1		9.6	10.3	11.5	
190	12.2	13.6	14.0	11.4	10.8	12.3	12.9		9.3	9.9	11.1	
200	10.8	12.3	12.9	10.4	9.7	11.0	11.8		8.5	9.5	10.5	
215			11.5	9.2	8.4	9.3	10.5	8.0	7.0	8.3	9.2	
230			10.2	8.1	6.9	8.0	9.3	7.0	5.8	6.9	8.0	5.2
240				7.5		7.2	8.5	6.4	5.1	6.0	7.4	4.6
250				6.9			7.9	5.8	4.4	5.3	6.6	4.1
260							7.2	5.3	3.7	4.6	5.7	3.6
270							6.4	4.8	3.0	3.9	5.0	3.2
280								4.3		3.1	4.4	2.7
290								3.9		2.4	3.8	2.4
305											3.2	2.0

Carbody counterweight: 44,100 lbs  
 Rear counterweight:  
 137,300 lbs



TLT 13639068.0. Above load charts are for reference only. For actual lift duty please refer to load chart in operator's cabin or manual. Otherwise we recommend you to plan your lifting job using Crane Planner 2.0.

www.liebherr.com/CranePlanner

**Crane Planner 2.0**

# Load capacities with luffing jib

Load capacities in 1000 lbs with 171 ft main boom [88/83/75/65°]

Radius [ft]	Jib length 66 ft				Jib length 115 ft				Jib length 154 ft			
	88°	83°	75°	65°	88°	83°	75°	65°	88°	83°	75°	65°
30	78.7											
40	71.6				50.3							
50	62.7	70.5			48.3				35.7			
60	56.1	64.0			45.1				34.5			
70	50.9	57.8			41.3	45.2			32.9			
80		52.7			37.6	41.6			31.3	34.4		
90		46.5	41.5		34.9	38.7			30.0	32.8		
100			36.4		32.1	36.0			28.0	31.0		
110			32.4		29.8	33.5	30.9		26.4	29.3		
120				24.6	27.0	31.1	27.7		24.7	27.3	26.5	
125				23.4	26.1	30.1	26.3		23.7	26.5	25.2	
130				22.2	25.0	28.7	25.0		22.7	25.8	23.9	
140				20.1		25.8	22.7		21.1	23.8	21.6	
150							20.7	16.9	19.4	22.1	19.7	
160							18.9	15.5	17.7	20.5	18.0	
170								14.2		18.8	16.6	
180								13.0			15.2	11.9
190								12.0			14.1	10.9
200											13.0	10.0
210												9.2
220												8.5
230												7.8
Radius [ft]	Jib length 194 ft				Jib length 233 ft				Jib length 272 ft			
	88°	83°	75°	65°	88°	83°	75°	65°	88°	83°	75°	65°
60	25.9											
70	25.1				15.3							
80	24.2				14.6				10.5			
90	23.3	25.2			14.1				9.9			
100	22.8	24.9			13.8				9.7			
110	21.7	23.5			13.1	14.6			9.2			
120	20.5	22.5			12.7	14.1			9.0	9.9		
130	19.5	21.5			12.3	13.6			8.6	9.5		
140	18.7	20.3	20.4		11.8	13.3			8.4	9.2		
150	17.3	19.3	18.6		11.4	12.9			8.1	8.9		
160	15.9	18.1	16.9		11.1	12.4	12.8		7.8	8.6		
170	14.7	16.6	15.5		10.7	12.0	12.4		7.5	8.4		
180	13.7	15.3	14.2		10.0	11.7	12.1		7.2	8.1	8.3	
190	12.4	14.2	13.0		9.4	10.8	11.5		7.0	7.8	8.0	
200	11.2	12.9	12.0	8.8	8.8	10.0	10.8		6.5	7.6	7.8	
210		11.6	11.1	8.0	8.3	9.3	9.9		5.8	7.2	7.5	
220			10.2	7.4	7.3	8.7	9.2	5.5	5.3	6.5	7.2	
240			8.7	6.2	5.7	6.9	7.7	4.4	4.4	5.2	6.0	2.5
250				5.6		5.9	7.1	3.9	3.9	4.8	5.4	2.1
275							5.7	2.9	2.3	3.3	4.2	
300								2.2			2.9	
315											2.1	

Carbody counterweight: 44,100 lbs  
 Rear counterweight:  
 137,300 lbs



TLT 13639068.0. Above load charts are for reference only. For actual lift duty please refer to load chart in operator's cabin or manual. Otherwise we recommend you to plan your lifting job using Crane Planner 2.0.

www.liebherr.com/CranePlanner





# Load capacities with luffing jib

Load capacities in 1000 lbs with 191 ft main boom [88/83/75/65°]

Radius [ft]	Jib length 66 ft				Jib length 95 ft				Jib length 115 ft			
	88°	83°	75°	65°	88°	83°	75°	65°	88°	83°	75°	65°
35	64.2											
45	57.9				48.2				42.2			
50	54.7				46.8				41.1			
60	49.1	54.4			42.3				38.5			
65	46.5	51.8			40.3	44.4			36.6			
70	44.5	48.9			38.3	42.6			35.2	38.4		
80		44.9			35.2	39.0			32.2	35.4		
85		43.3			33.8	37.2			31.0	34.0		
90		41.9	40.0		32.5	35.7			30.0	32.9		
100			35.2		30.9	33.4	33.8		27.9	30.5		
110			31.2			31.5	30.4		26.4	28.7	29.1	
120			28.0			29.8	27.2		25.3	27.1	26.6	
130				20.6			24.6			25.8	24.0	
135				19.6			23.4			25.1	22.8	
140				18.7			22.3			24.5	21.7	
150				17.0			20.4	16.1			19.8	
160								14.7			18.2	14.0
165								14.1			17.4	13.4
170								13.5			16.7	12.8
180								12.3				11.8
190												10.8
200												10.0
Radius [ft]	Jib length 134 ft				Jib length 154 ft				Jib length 164 ft			
	88°	83°	75°	65°	88°	83°	75°	65°	88°	83°	75°	65°
45	36.5											
55	35.3				26.3				24.8			
60	34.2				25.6				24.0			
70	32.0				24.1				22.6			
80	29.6	32.1			22.8	25.6			21.6			
90	27.4	29.9			21.9	24.4			20.6	23.2		
100	25.7	28.1			20.6	23.1			19.6	22.0		
110	24.2	26.2			19.6	22.0			18.6	20.9		
120	22.8	24.8	25.2		18.7	20.6			17.7	19.8		
130	21.8	23.4	23.4		17.7	19.7	19.3		16.9	18.7	18.1	
140	20.9	22.3	21.2		16.8	18.7	18.3		16.1	17.8	17.4	
150		21.3	19.4		16.0	17.8	17.3		15.4	17.0	16.6	
160		20.3	17.7		15.2	17.0	16.5		14.7	16.2	15.7	
170			16.3	12.3		16.3	15.6		14.1	15.6	15.0	
180			15.0	11.3		13.6	14.5	10.5		14.9	14.2	
190				10.4			13.4	9.7		12.6	13.2	9.5
200				9.5			12.3	8.9			12.1	8.7
210				8.8				8.1			11.2	8.0
220												7.3
230												6.7
240												6.1
245												5.9

Carbody counterweight: 44,100 lbs  
 Rear counterweight:  
 137,300 lbs

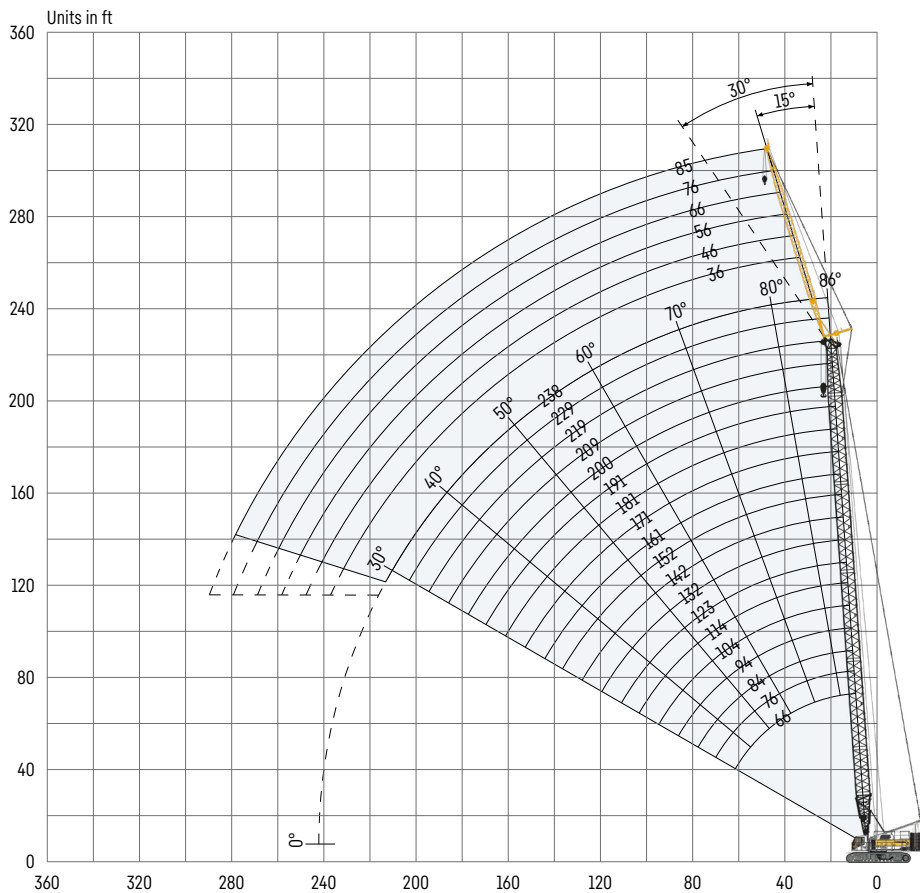


TLT 13639068.0. Above load charts are for reference only. For actual lift duty please refer to load chart in operator's cabin or manual. Otherwise we recommend you to plan your lifting job using Crane Planner 2.0.

www.liebherr.com/CranePlanner  
**Crane Planner 2.0**

# Fixed jib 1008.xx

## Jib lengths 36-85 ft



### Jib configuration 1008.xx

Jib section	Amount of jib sections					
	1	1	1	1	1	1
Jib foot 18 ft	1	1	1	1	1	1
Jib section 10 ft		1		1		1
Jib section 20 ft			1	1	2	2
Jib head 18 ft	1	1	1	1	1	1
<b>Jib length [ft]</b>	<b>36</b>	<b>46</b>	<b>56</b>	<b>66</b>	<b>76</b>	<b>85</b>

Actual lengths of boom sections are metric (e.g. 3 m, 6 m). The figures shown above are approximate conversions to feet.  
For main boom configuration please refer to the table on page 20.

# Load capacities with fixed jib

## Load capacities in 1000 lbs with 66 ft main boom

	Jib length 36 ft		Jib length 46 ft		Jib length 66 ft		Jib length 76 ft		Jib length 85 ft	
	15°	30°	15°	30°	15°	30°	15°	30°	15°	30°
20	79.1									
30	79.1	68.2	79.1							
40	79.1	61.3	69.6	50.4	52.8		47.1		42.7	
50	77.2	55.8	60.5	45.8	46.1	33.9	41.4		37.6	
60	75.3	53.1	56.7	42.0	40.9	31.0	36.9	27.6	33.4	25.5
70	63.0	53.0	55.8	40.4	37.5	28.7	32.9	26.1	30.0	23.6
80	53.0	49.9	52.5	40.0	37.0	26.8	31.4	24.3	27.3	21.9
90	45.3	45.6	45.8	37.1	36.0	26.6	31.0	22.9	26.7	20.3
100	39.3	39.4	39.8	35.1	32.8	26.6	29.6	22.5	26.6	19.3
110			34.9	33.8	30.3	24.9	27.1	21.9	25.7	18.9
120					28.3	23.8	26.4	20.6	23.7	18.2
130						23.0	24.6	19.7	22.2	17.2
140								19.2	20.8	16.5
150										16.1

## Load capacities in 1000 lbs with 132 ft main boom

	Jib length 36 ft		Jib length 46 ft		Jib length 66 ft		Jib length 76 ft		Jib length 85 ft	
	15°	30°	15°	30°	15°	30°	15°	30°	15°	30°
25	79.1									
40	79.1	79.1	76.9	64.7	67.2		55.7			
50	79.1	74.0	73.3	61.3	62.6	42.2	53.3		45.5	
65	67.8	65.6	67.0	54.6	54.4	37.6	47.6	31.6	41.6	28.0
80	51.3	52.1	51.7	50.4	48.4	33.9	42.4	28.5	37.8	26.6
95	40.4	41.1	40.8	41.7	41.6	30.9	37.7	26.6	33.4	24.2
110	32.8	33.3	33.2	33.8	33.8	28.7	33.8	25.2	30.2	22.2
120	28.9	29.3	29.2	29.7	29.8	27.3	30.1	24.0	28.2	21.2
130	25.6	25.9	25.9	26.3	26.5	26.6	26.8	22.9	26.6	20.1
140	22.8	23.0	23.1	23.4	23.6	24.2	23.9	22.0	24.1	19.2
155	19.3	19.4	19.5	19.8	20.1	20.5	20.4	20.8	20.5	18.1
175					16.3	16.6	16.6	16.9	16.7	16.9
190							14.2	14.4	14.4	14.7
205									12.4	12.5

## Load capacities in 1000 lbs with 171 ft main boom

	Jib length 36 ft		Jib length 46 ft		Jib length 66 ft		Jib length 76 ft		Jib length 85 ft	
	15°	30°	15°	30°	15°	30°	15°	30°	15°	30°
25	79.1									
40	79.1	77.9	74.2	63.3	60.5		50.9			
50	79.1	72.2	71.8	60.1	58.0		49.8		42.8	
70	60.3	61.6	61.0	53.1	50.8	37.0	44.7	30.9	39.8	27.3
80	50.2	51.3	50.8	50.5	47.8	34.9	42.1	29.3	37.4	25.7
100	36.5	37.3	36.9	37.9	37.7	31.5	37.4	26.6	33.7	23.3
110	31.7	32.3	32.1	32.9	32.8	30.1	33.2	25.8	31.9	22.8
130	24.4	24.9	24.8	25.4	25.4	26.3	25.7	24.4	25.9	21.2
140	21.6	22.1	21.9	22.5	22.5	23.3	22.8	23.3	23.0	20.4
160	17.1	17.4	17.4	17.8	17.9	18.5	18.2	18.9	18.4	18.8
180	13.6	13.8	13.9	14.1	14.4	14.8	14.6	15.2	14.8	15.4
200			11.1	11.2	11.5	11.8	11.8	12.2	11.9	12.4
225							8.9	9.1	9.0	9.3
240									7.6	7.7

Carbody counterweight: 44,100 lbs  
 Rear counterweight:  
 137,300 lbs

TLT 13639068.0. Above load charts are for reference only. For actual lift duty please refer to load chart in operator's cabin or manual. Otherwise we recommend you to plan your lifting job using Crane Planner 2.0.

# Load capacities with fixed jib

## Load capacities in 1000 lbs with 200 ft main boom

	Jib length 36 ft		Jib length 46 ft		Jib length 66 ft		Jib length 76 ft		Jib length 85 ft	
	15°	30°	15°	30°	15°	30°	15°	30°	15°	30°
25	79.1									
45	76.5	67.7	67.7	57.6	53.5		45.5		39.8	
60	70.8	62.3	62.8	53.0	50.2	39.0		32.8	38.8	
75	54.1	55.4	54.7	49.5	45.9	36.0		30.2	36.8	26.7
90	41.7	42.8	42.2	43.5	42.1	33.4		28.2	34.3	24.5
100	35.7	36.6	36.1	37.2	37.0	32.1		27.0	32.9	23.4
120	26.9	27.6	27.2	28.1	28.0	29.2		24.8	28.6	21.8
140	20.8	21.3	21.1	21.7	21.7	22.7		23.1	22.3	20.4
160	16.3	16.7	16.5	17.0	17.1	17.8		18.3	17.6	18.6
180	12.8	13.1	13.0	13.4	13.5	14.1		14.5	14.0	14.8
200	10.0	10.2	10.2	10.5	10.7	11.1		11.5	11.1	11.7
220	2.0		7.9	8.1	8.4	8.7		9.0	8.8	9.2
240					6.4	6.6		6.9	6.8	7.1
265									4.7	4.8

## Load capacities in 1000 lbs with 229 ft main boom

	Jib length 36 ft		Jib length 46 ft		Jib length 56 ft		Jib length 66 ft			
	15°	30°	15°	30°	15°	30°	15°	30°		
30	61.5		54.7							
45	57.9	56.2	52.7	49.2	48.2		43.2			
50	56.9	54.8	51.8	48.5	47.5	42.5	43.1			
70	51.5	50.0	47.5	44.6	44.3	39.5	40.7	35.2		
90	40.9	42.0	41.4	41.0	40.2	36.3	37.2	32.3		
110	29.9	30.8	30.4	31.5	30.8	32.2	31.2	30.0		
130	22.6	23.3	23.0	23.9	23.4	24.5	23.7	24.9		
150	17.4	17.9	17.7	18.4	18.1	18.9	18.3	19.3		
170	13.4	13.9	13.7	14.2	14.0	14.7	14.3	15.1		
190	10.4	10.6	10.6	11.0	10.9	11.4	11.1	11.7		
210	7.9	8.1	8.1	8.4	8.4	8.8	8.5	9.0		
230	5.8	5.9	6.0	6.2	6.3	6.5	6.4	6.8		
250			4.2	4.3	4.5	4.6	4.6	4.9		
270							3.1	3.2		

Carbody counterweight: 44,100 lbs  
 Rear counterweight:  
 137,300 lbs

TLT 13639068.0. Above load charts are for reference only. For actual lift duty please refer to load chart in operator's cabin or manual. Otherwise we recommend you to plan your lifting job using Crane Planner 2.0.

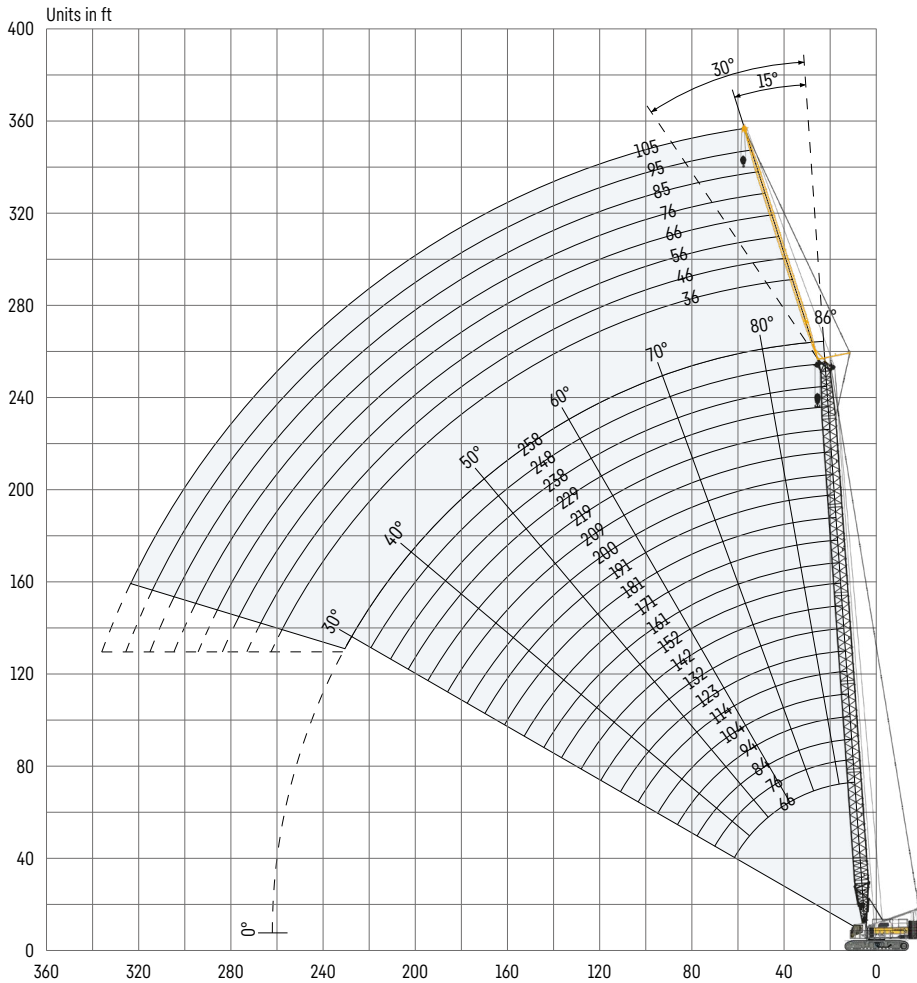


[www.liebherr.com/CranePlanner](http://www.liebherr.com/CranePlanner)

**Crane Planner 2.0**

# Fixed jib 0806.xx

## Jib lengths 36-105 ft



### Jib configuration 0806.xx

Jib section	Amount of jib sections							
Jib foot 18 ft	1	1	1	1	1	1	1	1
Jib section 10 ft		1		1		1		1
Jib section 20 ft			1	1	2	2	3	3
Jib head 18 ft	1	1	1	1	1	1	1	1
<b>Jib length [ft]</b>	<b>36</b>	<b>46</b>	<b>56</b>	<b>66</b>	<b>76</b>	<b>85</b>	<b>95</b>	<b>105</b>

Actual lengths of boom sections are metric (e.g. 3 m, 6 m). The figures shown above are approximate conversions to feet.  
 For main boom configuration please refer to the table on page 20.

# Load capacities with fixed jib

Load capacities in 1000 lbs with 66 ft main boom

	Jib length 36 ft		Jib length 66 ft		Jib length 76 ft		Jib length 85 ft		Jib length 105 ft	
	15°	30°	15°	30°	15°	30°	15°	30°	15°	30°
20	50.3									
30	46.9	41.6								
40	43.9	39.3	23.0		23.0		16.9			
50	41.5	37.6	21.5	19.1	21.5	19.1	15.8		11.7	
60	38.9	35.5	20.1	18.1	20.1	18.1	15.0		10.9	
70	37.0	32.7	19.0	17.6	19.0	17.6	14.1	13.1	10.2	
80	35.4	30.1	17.9	17.1	17.9	17.1	13.4	12.6	9.6	8.9
90	33.5	28.3	17.3	16.4	17.3	16.4	12.8	12.2	9.1	8.4
100	31.6	27.0	16.8	15.8	16.8	15.8	12.3	11.9	8.6	8.1
115			16.1	14.9	16.1	14.9	11.7	11.4	8.0	7.6
130			15.4	14.2	15.4	14.2	11.2	10.7	7.5	7.2
140						12.0	11.1	10.3	7.2	7.1
150								10.2	7.0	6.9
170										6.9

Load capacities in 1000 lbs with 132 ft main boom

	Jib length 36 ft		Jib length 66 ft		Jib length 76 ft		Jib length 85 ft		Jib length 105 ft	
	15°	30°	15°	30°	15°	30°	15°	30°	15°	30°
25	45.5									
40	43.9	39.2	22.9		19.5					
50	42.4	38.5	22.0	19.0	18.9		15.5			
65	40.5	37.8	20.7	18.2	18.2	17.0	14.6	13.3	10.4	
80	39.1	37.0	19.6	17.4	17.5	16.5	13.8	12.8	9.8	8.7
95	38.1	33.6	18.6	17.0	16.9	15.9	13.1	12.4	9.2	8.4
110	34.2	31.3	17.7	16.5	16.4	15.4	12.6	12.0	8.7	8.0
120	30.3	29.9	17.2	16.1	16.0	14.8	12.2	11.9	8.5	7.8
140	24.2	24.4	16.5	15.3	15.4	13.7	11.7	11.4	7.8	7.4
160		19.8	16.1	14.6	14.9	12.7	11.2	10.9	7.4	7.2
180			15.7	14.3	14.0	12.2	10.9	10.4	7.1	7.0
195					13.2	12.0	10.9	10.3	6.9	7.0
205							10.8	10.2	6.8	6.9
225									6.8	6.9

Load capacities in 1000 lbs with 191 ft main boom

	Jib length 36 ft		Jib length 66 ft		Jib length 76 ft		Jib length 85 ft		Jib length 105 ft	
	15°	30°	15°	30°	15°	30°	15°	30°	15°	30°
30	37.0									
50	35.8	33.9	19.6		15.8		12.8			
60	35.4	33.7	19.2	17.8	15.5	14.9	12.5		8.9	
80	34.4	33.4	18.7	17.2	14.9	14.6	12.0	11.6	8.6	8.2
90	34.1	33.3	18.4	17.0	14.7	14.6	11.8	11.6	8.4	8.1
110	31.9	31.5	18.1	16.5	14.4	14.5	11.5	11.4	8.1	7.8
130	25.3	25.8	17.2	16.0	14.0	14.4	11.2	11.3	7.9	7.6
150	20.1	20.5	16.5	15.6	13.7	13.9	10.9	11.2	7.6	7.3
180	14.5	14.8	15.6	15.1	13.5	13.1	10.6	11.0	7.2	7.1
200	11.8	11.9	12.8	13.1	13.1	12.5	10.5	10.6	6.9	7.0
220			10.5	10.7	10.8	11.1	10.2	10.2	6.7	7.0
240				8.6	8.8	9.0	9.0	9.3	6.6	7.0
255							7.7	7.9	6.6	7.0
275									6.6	6.8

Carbody counterweight: 44,100 lbs

Rear counterweight:

115,300 lbs

137,300 lbs

TLT 13639068.0. Above load charts are for reference only. For actual lift duty please refer to load chart in operator's cabin or manual. Otherwise we recommend you to plan your lifting job using Crane Planner 2.0.

# Load capacities with fixed jib

## Load capacities in 1000 lbs with 238 ft main boom

	Jib length 36 ft		Jib length 46 ft		Jib length 66 ft		Jib length 85 ft		Jib length 105 ft	
	15°	30°	15°	30°	15°	30°	15°	30°	15°	30°
<b>30</b>	31.2		24.7							
<b>50</b>	30.0	29.0	24.0	23.7	15.9		10.6			
<b>70</b>	29.0	28.5	23.1	23.1	15.7	16.0	10.3	10.3	7.4	
<b>90</b>	28.1	28.1	22.6	22.9	15.5	15.9	10.1	10.2	7.2	7.2
<b>100</b>	27.8	27.9	22.3	22.9	15.4	15.9	10.0	10.1	7.2	7.2
<b>130</b>	23.7	24.5	21.0	22.0	15.1	15.6	9.8	10.1	6.9	7.1
<b>150</b>	18.7	19.2	19.1	19.5	15.0	15.3	9.6	10.0	6.8	7.0
<b>180</b>	13.1	13.5	13.5	14.0	14.2	14.9	9.4	10.0	6.6	6.9
<b>200</b>	10.4	10.6	10.7	11.1	11.4	12.0	9.1	10.0	6.5	6.8
<b>230</b>	7.1	7.3	7.5	7.7	8.1	8.5	8.4	8.6	6.4	6.7
<b>250</b>		5.5	5.7	5.8	6.3	6.6	6.9	7.3	6.3	6.5
<b>280</b>				2.6	2.8	4.2	4.6	4.8	5.1	5.5
<b>300</b>								3.4	3.8	4.0
<b>315</b>									2.9	3.0

## Load capacities in 1000 lbs with 258 ft main boom

	Jib length 36 ft		Jib length 46 ft		Jib length 66 ft		Jib length 76 ft		Jib length 85 ft	
	15°	30°	15°	30°	15°	30°	15°	30°	15°	30°
<b>30</b>	27.0									
<b>60</b>	25.8	25.3	20.7	20.6	13.8	14.1	11.2			
<b>75</b>	25.0	24.8	20.0	20.3	13.6	14.1	11.1	11.5		9.3
<b>90</b>	24.4	24.5	19.6	20.2	13.5	14.0	11.0	11.5		9.3
<b>110</b>	23.8	24.1	19.2	20.0	13.3	14.0	10.8	11.5		9.2
<b>130</b>	21.3	22.4	18.4	19.8	13.1	14.0	10.7	11.4		9.2
<b>150</b>	18.0	18.6	17.2	17.8	13.0	14.0	10.6	11.3		9.2
<b>170</b>	14.1	14.6	14.5	15.1	12.9	13.8	10.5	11.3		9.1
<b>200</b>	9.7	10.0	10.1	10.5	10.8	11.4	9.9	11.3		9.1
<b>220</b>	7.5	7.7	7.8	8.1	8.5	9.0	8.4	9.4		8.7
<b>240</b>	5.6	5.8	5.9	6.2	6.5	6.9	6.9	7.3		7.4
<b>260</b>	4.0	4.1	4.3	4.5	4.9	5.2	5.2	5.6		5.9
<b>280</b>					3.5	3.7	3.8	4.0		4.3
<b>310</b>										2.3

Carbody counterweight: 44,100 lbs

Rear counterweight:

115,300 lbs

137,300 lbs

TLT 13639068.0. Above load charts are for reference only. For actual lift duty please refer to load chart in operator's cabin or manual. Otherwise we recommend you to plan your lifting job using Crane Planner 2.0.



[www.liebherr.com/CranePlanner](http://www.liebherr.com/CranePlanner)

**Crane Planner 2.0**



Download datasheet



Please contact us.

Liebherr-Werk Nenzing GmbH · Dr. Hans Liebherr Str. 1 · 6710 Nenzing, Austria  
Phone +43 50809 41-473 · crawler.crane@liebherr.com · www.liebherr.com  
facebook.com/LiebherrConstruction

Liebherr USA, Co. · 7075 Bennington Street · Houston, TX 77028-5812  
Phone (713) 636-4050 · crawler.cranes.usa@liebherr.com · www.liebherr.com  
facebook.com/LiebherrConstruction